

## COMPLEMENTARY SILICON POWER DARLINGTON TRANSISTORS

- BDW83C IS A SGS-THOMSON PREFERRED SALESTYPE
- COMPLEMENTARY PNP - NPN DEVICES
- HIGH CURRENT CAPABILITY
- FAST SWITCHING SPEED
- HIGH DC CURRENT GAIN

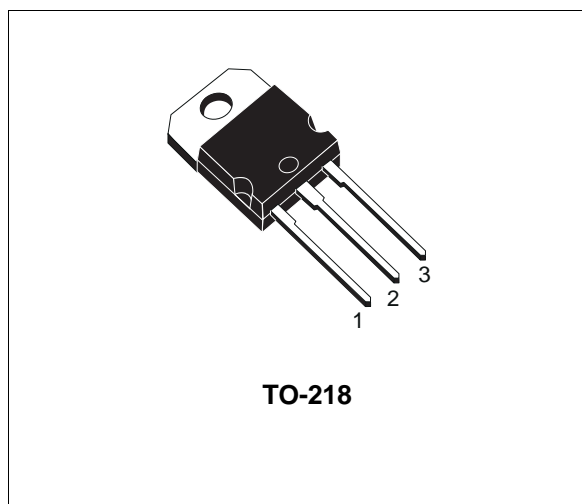
### APPLICATIONS

- LINEAR AND SWITCHING INDUSTRIAL EQUIPMENT

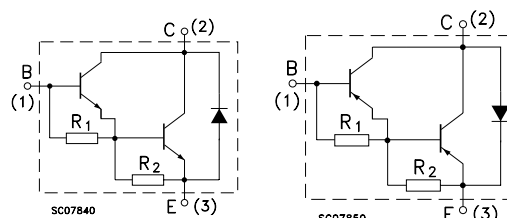
### DESCRIPTION

The BDW83C is a silicon epitaxial-base NPN power monolithic Darlington transistor mounted in Jedec TO-218 plastic package. It is intended for use in power linear and switching applications.

The complementary type is BDW84C.



### INTERNAL SCHEMATIC DIAGRAM



### ABSOLUTE MAXIMUM RATINGS

Symbol	Parameter	Value		Unit
		NPN	BDW83C	
		PNP	BDW84C	
$V_{CBO}$	Collector-Base Voltage ( $I_E = 0$ )		100	V
$V_{CEO}$	Collector-Emitter Voltage ( $I_B = 0$ )		100	V
$V_{EBO}$	Emitter-Base Voltage ( $I_C = 0$ )		5	V
$I_C$	Collector Current		15	A
$I_{CM}$	Collector Peak Current		40	A
$I_B$	Base Current		0.5	A
$P_{tot}$	Total Dissipation at $T_c \leq 25^\circ\text{C}$		130	W
$T_{stg}$	Storage Temperature		-65 to 150	$^\circ\text{C}$
$T_j$	Max. Operating Junction Temperature		150	$^\circ\text{C}$

## BDW83C / BDW84C

### THERMAL DATA

R <sub>thj-case</sub>	Thermal Resistance Junction-case	Max	0.96	°C/W
-----------------------	----------------------------------	-----	------	------

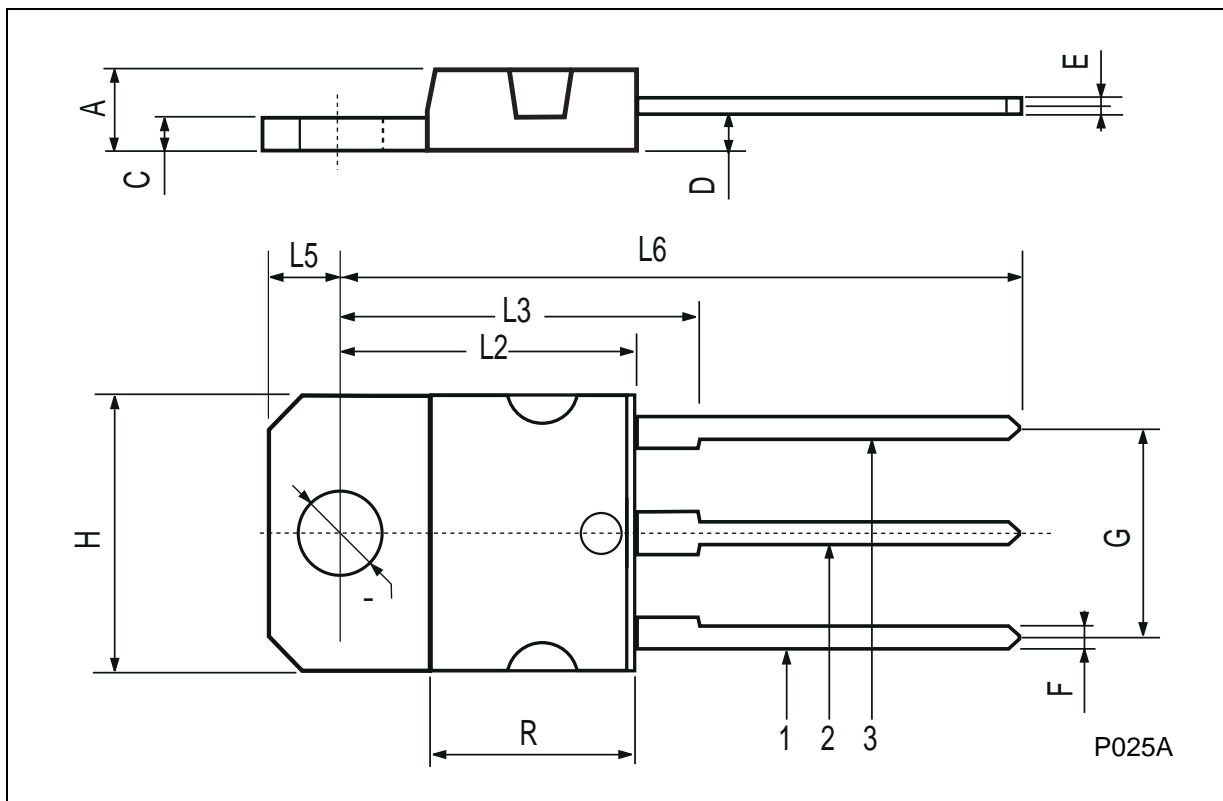
### ELECTRICAL CHARACTERISTICS (T<sub>case</sub> = 25 °C unless otherwise specified)

Symbol	Parameter	Test Conditions	Min.	Typ.	Max.	Unit
I <sub>CBO</sub>	Collector Cut-off Current (I <sub>E</sub> = 0)	V <sub>CB</sub> = 100 V V <sub>CB</sub> = 100 V      T <sub>case</sub> = 150 °C			500 5	μA mA
I <sub>CEO</sub>	Collector Cut-off Current (I <sub>B</sub> = 0)	V <sub>CE</sub> = 40 V			1	mA
I <sub>EBO</sub>	Emitter Cut-off Current (I <sub>C</sub> = 0)	V <sub>EB</sub> = 5 V			2	mA
V <sub>CEO(sus)*</sub>	Collector-Emitter Sustaining Voltage	I <sub>C</sub> = 30 mA	100			V
V <sub>CE(sat)*</sub>	Collector-Emitter Saturation Voltage	I <sub>C</sub> = 6 A      I <sub>B</sub> = 12 mA I <sub>C</sub> = 15 A      I <sub>B</sub> = 150 mA			2.5 4	V
V <sub>BE(on)*</sub>	Base-Emitter Voltage	I <sub>C</sub> = 6 A      V <sub>CE</sub> = 3 A			2.5	V
h <sub>FE*</sub>	DC Current Gain	I <sub>C</sub> = 6 A      V <sub>CE</sub> = 3 V I <sub>C</sub> = 15 A      V <sub>CE</sub> = 3 V	750 100		20000	
V <sub>f*</sub>	Diode Forward Voltage	I <sub>F</sub> = 10 A			4	V
t <sub>on</sub> t <sub>off</sub>	Turn-on Time Turn-off Time	V <sub>CC</sub> = 30 V      I <sub>C</sub> = 10 A R <sub>B1</sub> = 300 Ω      R <sub>B2</sub> = 150 Ω I <sub>B1</sub> = - I <sub>B2</sub> = 40 mA		0.9 6		μs μs

\* Pulsed: Pulse duration = 300 μs, duty cycle 1.5 %  
For PNP types voltage and current values are negative.

## TO-218 (SOT-93) MECHANICAL DATA

DIM.	mm			inch		
	MIN.	TYP.	MAX.	MIN.	TYP.	MAX.
A	4.7		4.9	0.185		0.193
C	1.17		1.37	0.046		0.054
D		2.5			0.098	
E	0.5		0.78	0.019		0.030
F	1.1		1.3	0.043		0.051
G	10.8		11.1	0.425		0.437
H	14.7		15.2	0.578		0.598
L2	-		16.2	-		0.637
L3		18			0.708	
L5	3.95		4.15	0.155		0.163
L6		31			1.220	
R	-		12.2	-		0.480
Ø	4		4.1	0.157		0.161



Information furnished is believed to be accurate and reliable. However, SGS-THOMSON Microelectronics assumes no responsibility for the consequences of use of such information nor for any infringement of patents or other rights of third parties which may result from its use. No license is granted by implication or otherwise under any patent or patent rights of SGS-THOMSON Microelectronics. Specifications mentioned in this publication are subject to change without notice. This publication supersedes and replaces all information previously supplied. SGS-THOMSON Microelectronics products are not authorized for use as critical components in life support devices or systems without express written approval of SGS-THOMSON Microelectronics.

© 1997 SGS-THOMSON Microelectronics - Printed in Italy - All Rights Reserved

SGS-THOMSON Microelectronics GROUP OF COMPANIES  
Australia - Brazil - Canada - China - France - Germany - Hong Kong - Italy - Japan - Korea - Malaysia - Malta - Morocco - The Netherlands -  
Singapore - Spain - Sweden - Switzerland - Taiwan - Thailand - United Kingdom - U.S.A  
...