

**340kHz, 3A Synchronous DC-DC Buck Converter****AP3503E****General Description**

The AP3503E is a 340kHz fixed frequency, current mode, PWM synchronous buck (step-down) DC-DC converter, capable of driving a 3A load with high efficiency, excellent line and load regulation. The AP3503E exhibits high efficiency at light load. The device integrates N-channel power MOSFET switches with low on-resistance. Current mode control provides fast transient response and cycle-by-cycle current limit.

The AP3503E employs complete protection to ensure system security. Including output Over Voltage Protection, input Under Voltage Lock Out, programmable Soft Start, Over Temperature Protection and hiccup mode Short Circuit Protection.

This IC is available in PSOP-8 package.

**Features**

- Input Voltage Range: 4.5V to 18V
- Fixed 340kHz Frequency
- High Efficiency at Light Load
- High Efficiency: up to 95%
- Output Current: 3A
- Current Mode Control
- Built-in Over Current Protection
- Built-in Thermal Shutdown Function
- Built-in UVLO Function
- Built-in Over Voltage Protection
- Programmable Soft-start
- Hiccup Mode SCP

**Applications**

- LCD TV
- Set Top Box
- Portable DVD
- Digital Photo Frame

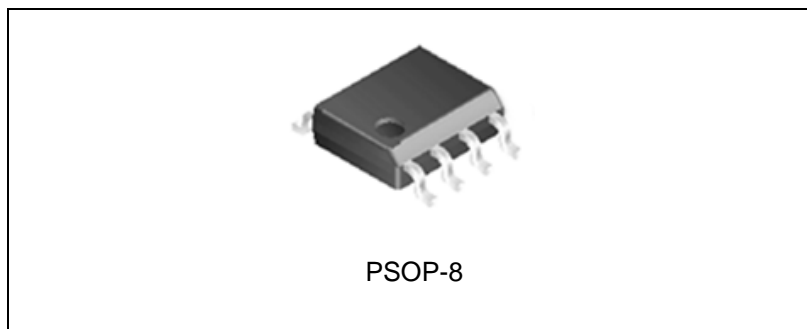


Figure 1. Package Type of AP3503E

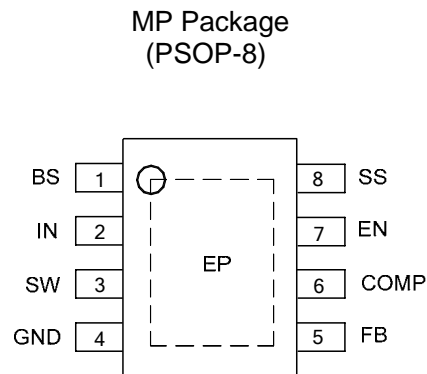
**340kHz, 3A Synchronous DC-DC Buck Converter**
**AP3503E**
**Pin Configuration**


Figure 2. Pin Configuration of AP3503E (Top View)

**Pin Description**

Pin Number	Pin Name	Function
1	BS	Bootstrap pin. A bootstrap capacitor is connected between the BS pin and SW pin. The voltage across the bootstrap capacitor drives the internal high-side power MOSFET
2	IN	Supply power input pin. A capacitor should be connected between the IN pin and GND pin to keep the input voltage constant
3	SW	Power switch output pin. This pin is connected to the inductor and bootstrap capacitor
4	GND	Ground pin
5	FB	Feedback pin. This pin is connected to an external resistor divider to program the system output voltage. When the FB pin voltage exceeds 1.1V, the over voltage protection is triggered. When the FB pin voltage is below 0.3V, the oscillator frequency is lowered to realize short circuit protection
6	COMP	Compensation pin. This pin is the output of the transconductance error amplifier and the input to the current comparator. It is used to compensate the control loop. Connect a series RC network from this pin to GND. In some cases, an additional capacitor from this pin to GND pin is required
7	EN	Control input pin. EN is a digital input that turns the regulator on or off. Drive EN high/low to turn on/off the regulator. Pull up with 100kΩ resistor for automatic startup
8	SS	Soft-start control input pin. SS controls the soft-start period. Connect a capacitor from SS to GND to set the soft-start period. A 0.1μF capacitor sets the soft-start period to 15ms. To disable the soft-start feature, leave SS unconnected
	EP	Exposed pad. It should be connected to GND in PCB layout

**340kHz, 3A Synchronous DC-DC Buck Converter**

**AP3503E**

**Functional Block Diagram**

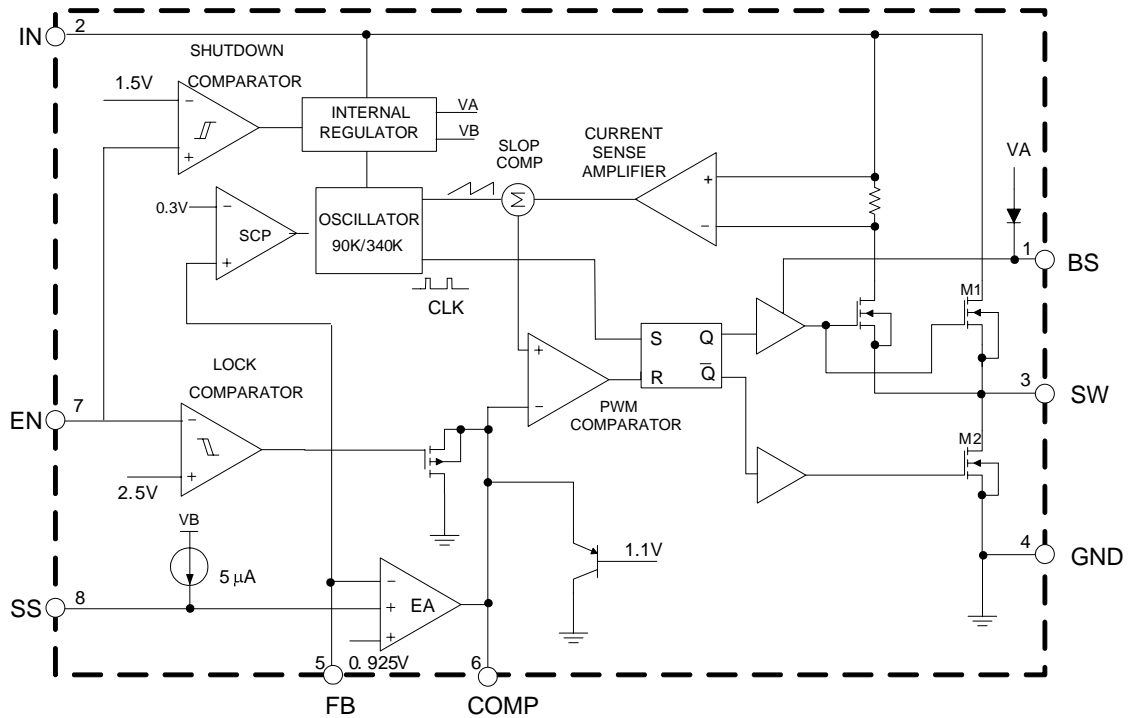
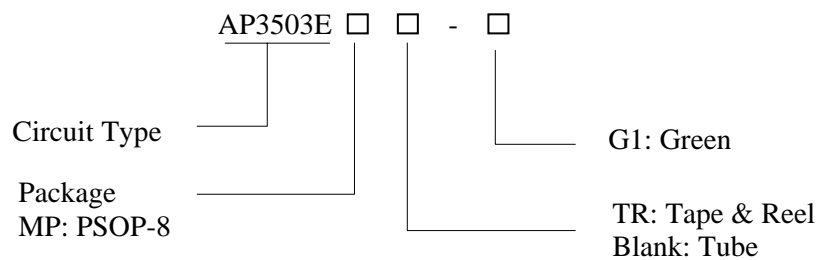


Figure 3. Functional Block Diagram of AP3503E

**Ordering Information**



Package	Temperature Range	Part Number	Marking ID	Packing Type
PSOP-8	-40 to 85°C	AP3503EMP-G1	3503EMP-G1	Tube
		AP3503EMPTR-G1	3503EMP-G1	Tape & Reel

BCD Semiconductor's Pb-free products, as designated with "G1" suffix in the part number, are RoHS compliant and green.

**340kHz, 3A Synchronous DC-DC Buck Converter****AP3503E****Absolute Maximum Ratings (Note 1)**

Parameter	Symbol	Value	Unit
IN Pin Voltage	$V_{IN}$	-0.3 to 20	V
EN Pin Voltage	$V_{EN}$	-0.3 to $V_{IN}$	V
SW Pin Voltage	$V_{SW}$	21	V
BS Pin Voltage	$V_{BS}$	-0.3 to $V_{SW}+6$	V
FB Pin Voltage	$V_{FB}$	-0.3 to 6	V
COMP Pin Voltage	$V_{COMP}$	-0.3 to 6	V
SS Pin Voltage	$V_{SS}$	-0.3 to 6	V
Thermal Resistance	$\theta_{JA}$	60	°C/W
Operating Junction Temperature	$T_J$	150	°C
Storage Temperature	$T_{STG}$	-65 to 150	°C
Lead Temperature (Soldering, 10sec)	$T_{LEAD}$	260	°C
ESD (Human Body Model)	$V_{HBM}$	2000	V
ESD (Machine Model)	$V_{MM}$	200	V

Note 1: Stresses greater than those listed under “Absolute Maximum Ratings” may cause permanent damage to the device. These are stress ratings only, and functional operation of the device at these or any other conditions beyond those indicated under “Recommended Operating Conditions” is not implied. Exposure to “Absolute Maximum Ratings” for extended periods may affect device reliability.

**Recommended Operating Conditions**

Parameter	Symbol	Min	Max	Unit
Input Voltage	$V_{IN}$	4.5	18	V
Operating Ambient Temperature	$T_A$	-40	85	°C



**340kHz, 3A Synchronous DC-DC Buck Converter**

**AP3503E**

**Electrical Characteristics**

T<sub>A</sub>=25°C, V<sub>IN</sub>=V<sub>EN</sub>=12V, V<sub>OUT</sub>=3.3V, unless otherwise specified.

Parameter	Symbol	Conditions	Min	Typ	Max	Unit
<b>SUPPLY VOLTAGE (IN PIN)</b>						
Input Voltage	V <sub>IN</sub>		4.5		18	V
Quiescent Current	I <sub>Q</sub>	V <sub>FB</sub> =1V, V <sub>EN</sub> =3V		1.2	1.4	mA
Shutdown Supply Current	I <sub>SHDN</sub>	V <sub>EN</sub> =0V		0.1	10	μA
<b>UNDER VOLTAGE LOCKOUT</b>						
Input UVLO Threshold	V <sub>UVLO</sub>	V <sub>IN</sub> Rising	3.65	4.00	4.25	V
Input UVLO Hysteresis	V <sub>HYS</sub>			200		mV
<b>ENABLE (EN PIN)</b>						
EN Shutdown Threshold Voltage			1.1	1.5	2	V
EN Shutdown Threshold Voltage Hysteresis (Note 3)				350		mV
EN Lockout Threshold Voltage			2.2	2.5	2.7	V
EN Lockout Hysteresis				210		mV
<b>VOLTAGE REFERENCE (FB PIN)</b>						
Feedback Voltage	V <sub>FB</sub>		0.907	0.925	0.943	V
Feedback Over Voltage Threshold	V <sub>FBOV</sub>			1.1		V
Feedback Bias Current	I <sub>FB</sub>	V <sub>FB</sub> =1V	-0.1		0.1	μA
<b>MOSFET</b>						
High-side Switch On-resistance(Note 2)	R <sub>DSONH</sub>	I <sub>SW</sub> =0.2A/0.7A		100		mΩ
Low-side Switch On-resistance(Note 2)	R <sub>DSONL</sub>	I <sub>SW</sub> =-0.2A/-0.7A		100		mΩ
<b>CURRENT LIMIT</b>						
High-side Switch Leakage Current	I <sub>LEAKH</sub>	V <sub>IN</sub> =18V, V <sub>EN</sub> =V <sub>SW</sub> =0V		0.1	10	μA
High-side Switch Current Limit	I <sub>LIMH</sub>		4.3	5.6		A
Low-side Switch Current Limit	I <sub>LIML</sub>	Drain to Source		0		mA
<b>SWITCHING REGULATOR</b>						
Oscillator Frequency	f <sub>OSC1</sub>		280	340	400	kHz
Short Circuit Oscillator Frequency	f <sub>OSC2</sub>			90		kHz
Max. Duty Cycle	D <sub>MAX</sub>	V <sub>FB</sub> =0.85V		90		%
Min. Duty Cycle	D <sub>MIN</sub>	V <sub>FB</sub> =1V			0	%
<b>ERROR AMPLIFIER</b>						
Error Amplifier Voltage Gain (Note 3)	A <sub>EA</sub>			400		V/V
Error Amplifier Transconductance	G <sub>EA</sub>			800		μA/V
COMP to Current Sense Transconductance	G <sub>CS</sub>			5.2		A/V
<b>THERMAL SHUTDOWN</b>						
Thermal Shutdown (Note 3)	T <sub>OTSD</sub>			160		°C
Thermal Shutdown Hysteresis (Note 3)	T <sub>HYS</sub>			20		°C
<b>SOFT START (SS PIN)</b>						
Soft-start Time (Note 3)	t <sub>SS</sub>	C4=0.1μF, I <sub>OUT</sub> =500mA		15		ms
Soft-start Current				5		μA

Note 2:  $R_{DSON} = \frac{V_{SW1} - V_{SW2}}{I_{SW1} - I_{SW2}}$

Note 3: Not tested, guaranteed by design.



**340kHz, 3A Synchronous DC-DC Buck Converter**

**AP3503E**

**Typical Performance Characteristics**

$T_A=25^{\circ}\text{C}$ ,  $V_{IN}=12\text{V}$ ,  $V_{OUT}=3.3\text{V}$ , unless otherwise noted.

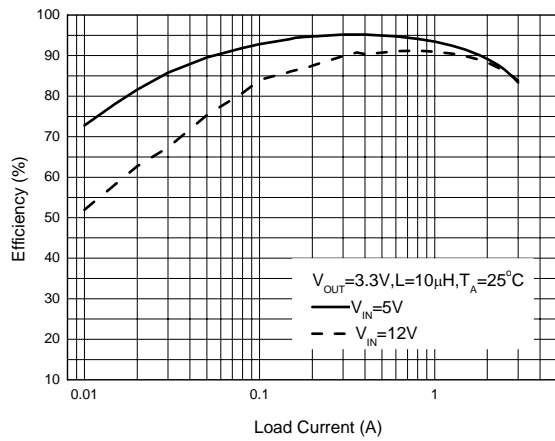


Figure 4. Efficiency vs. Load Current

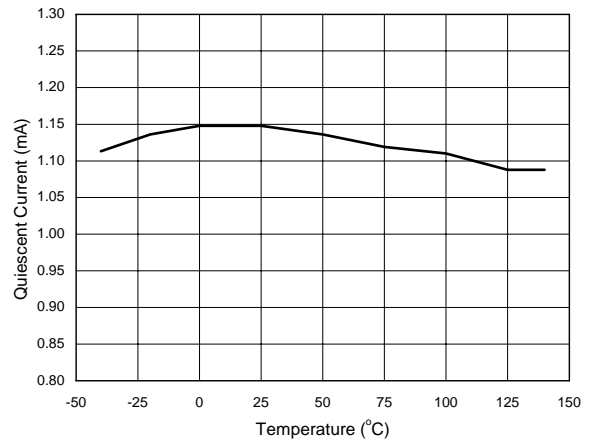


Figure 5. Quiescent Current vs. Temperature

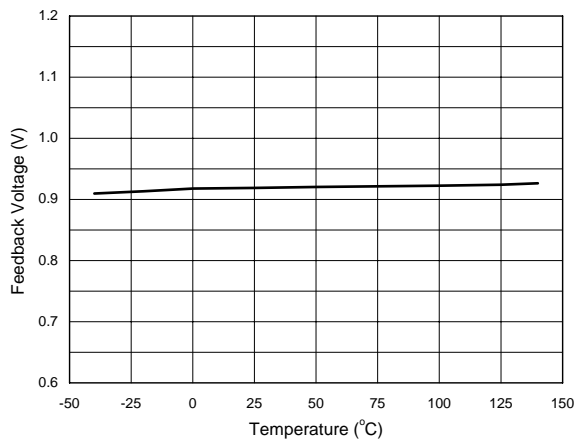


Figure 6. Feedback Voltage vs. Temperature

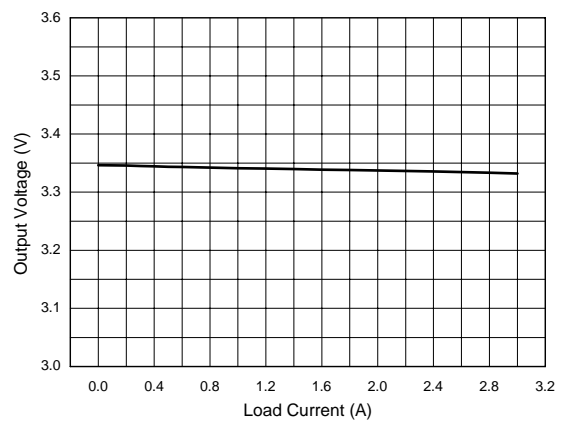


Figure 7. Output Voltage vs. Load Current

**340kHz, 3A Synchronous DC-DC Buck Converter**

**AP3503E**

**Typical Performance Characteristics (Continued)**

$T_A=25^\circ\text{C}$ ,  $V_{IN}=12\text{V}$ ,  $V_{OUT}=3.3\text{V}$ , unless otherwise noted.

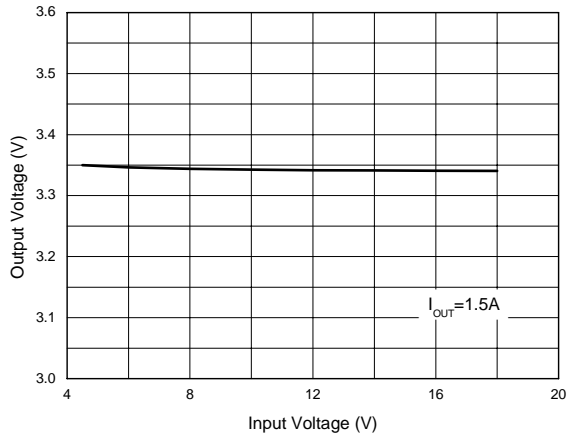


Figure 8. Output Voltage vs. Input Voltage

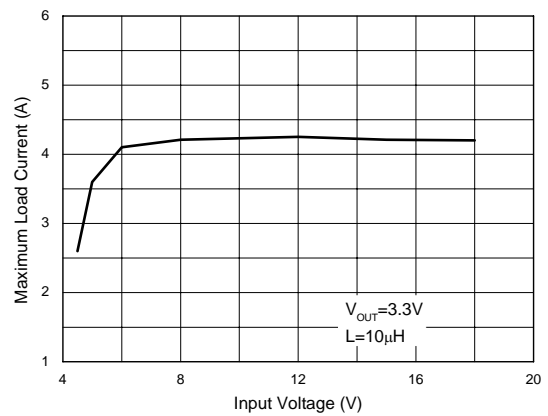


Figure 9. Maximum Load Current vs. Input Voltage

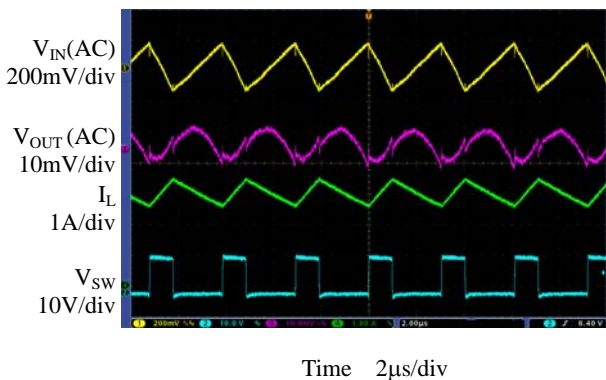


Figure 10. Output Ripple ( $I_{OUT}=3\text{A}$ )

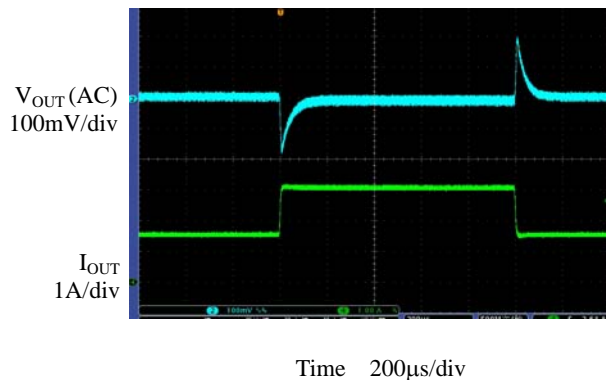
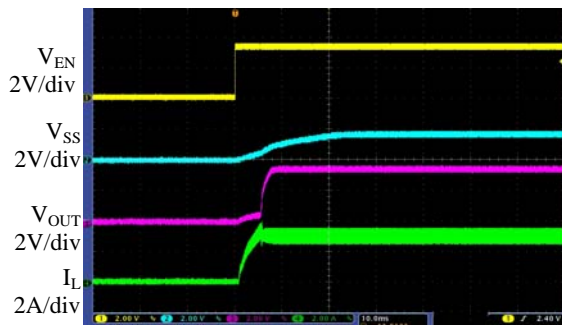
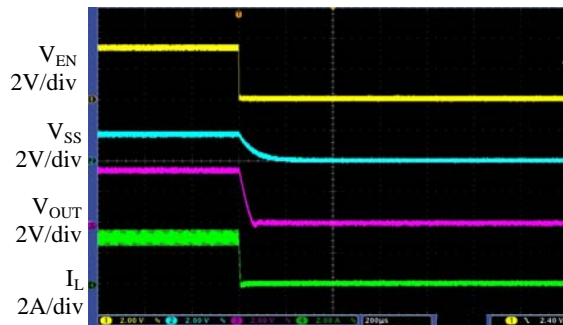


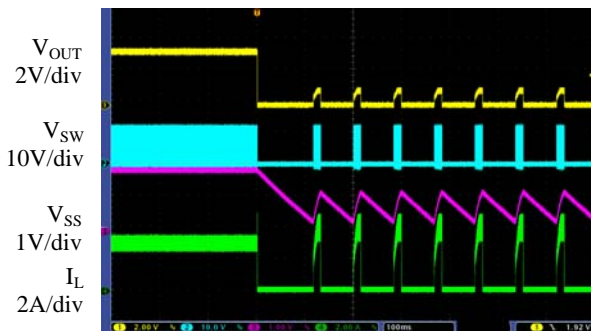
Figure 11. Load Transient ( $I_{OUT}=1.5$  to  $3\text{A}$ )

**340kHz, 3A Synchronous DC-DC Buck Converter**
**AP3503E**
**Typical Performance Characteristics (Continued)**
 $T_A=25^\circ\text{C}$ ,  $V_{IN}=12\text{V}$ ,  $V_{OUT}=3.3\text{V}$ , unless otherwise noted.


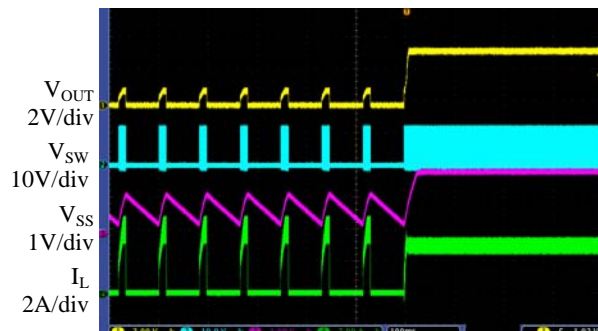
Time 10ms/div

 Figure 12. Enable Turn-on Characteristic ( $V_{IN}=12\text{V}$ ,  $V_{EN}=3.3\text{V}$ ,  $V_{OUT}=3.3\text{V}$ ,  $I_{OUT}=3\text{A}$ )


Time 200µs/div

 Figure 13. Enable Turn-off Characteristic ( $V_{IN}=12\text{V}$ ,  $V_{EN}=3.3\text{V}$ ,  $V_{OUT}=3.3\text{V}$ ,  $I_{OUT}=3\text{A}$ )


Time 100ms/div

 Figure 14. Short Circuit Protection ( $I_{OUT}=3\text{A}$ )


Time 100ms/div

 Figure 15. Short Circuit Recovery ( $I_{OUT}=3\text{A}$ )



**340kHz, 3A Synchronous DC-DC Buck Converter**

**AP3503E**

**Typical Application**

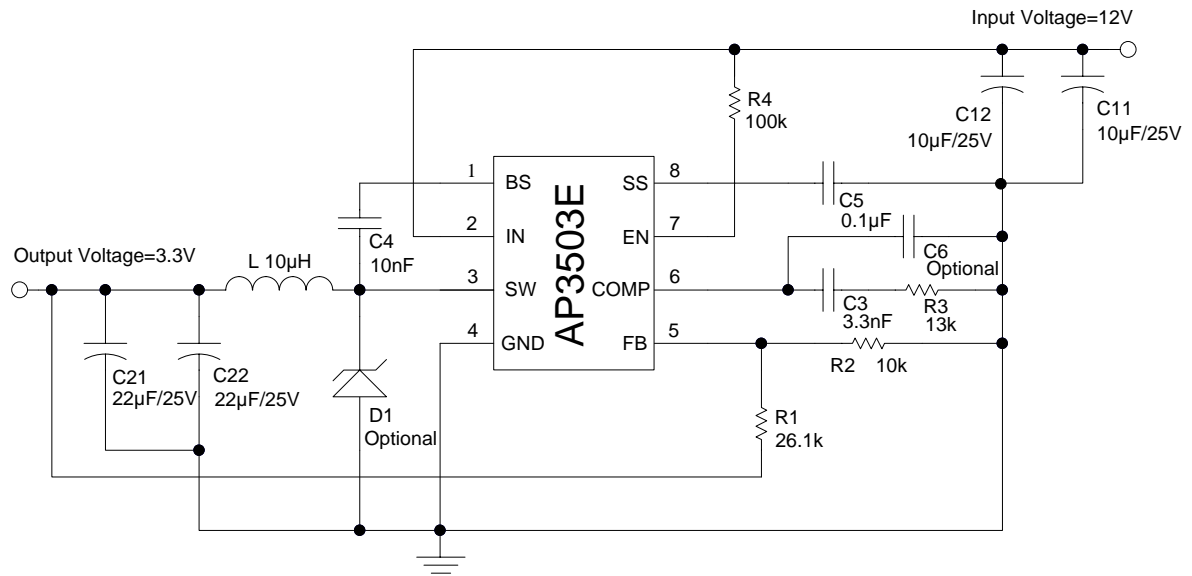
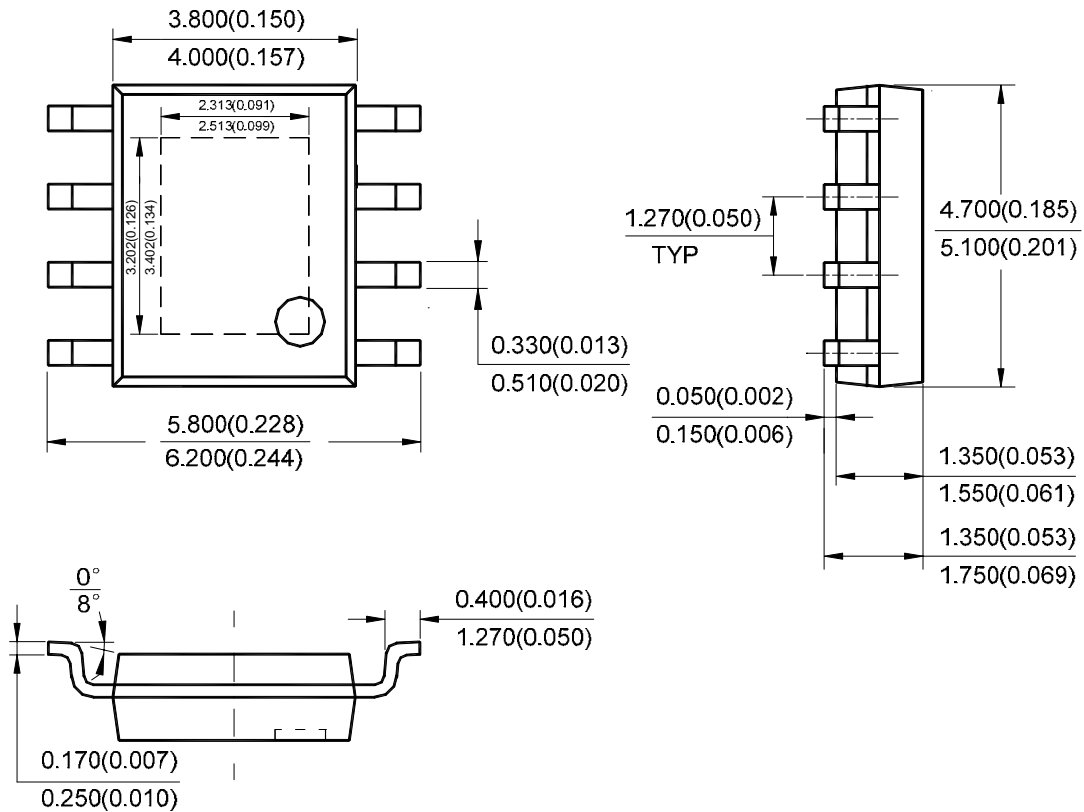


Figure 16. Typical Application of AP3503E

**Mechanical Dimensions**

**PSOP-8**

**Unit: mm(inch)**



Note: Eject hole, oriented hole and mold mark is optional.



## **BCD Semiconductor Manufacturing Limited**

<http://www.bcdsemi.com>

### **IMPORTANT NOTICE**

BCD Semiconductor Manufacturing Limited reserves the right to make changes without further notice to any products or specifications herein. BCD Semiconductor Manufacturing Limited does not assume any responsibility for use of any its products for any particular purpose, nor does BCD Semiconductor Manufacturing Limited assume any liability arising out of the application or use of any its products or circuits. BCD Semiconductor Manufacturing Limited does not convey any license under its patent rights or other rights nor the rights of others.

---

#### **MAIN SITE**

##### **- Headquarters**

##### **BCD Semiconductor Manufacturing Limited**

No. 1600, Zi Xing Road, Shanghai ZiZhu Science-based Industrial Park, 200241, China  
Tel: +86-21-24162266, Fax: +86-21-24162277

##### **- Wafer Fab**

##### **Shanghai SIM-BCD Semiconductor Manufacturing Co., Ltd.**

800 Yi Shan Road, Shanghai 200233, China  
Tel: +86-21-6485 1491, Fax: +86-21-5450 0008

#### **REGIONAL SALES OFFICE**

##### **Shenzhen Office**

##### **Shanghai SIM-BCD Semiconductor Manufacturing Co., Ltd., Shenzhen Office**

Unit A Room 1203, Skyworth Bldg., Gaoxin Ave. 1.S., Nanshan District, Shenzhen, China  
Tel: +86-755-8826 7951  
Fax: +86-755-8826 7865

##### **Taiwan Office**

##### **BCD Semiconductor (Taiwan) Company Limited**

4F, 298-1, Rui Guang Road, Nei-Hu District, Taipei, Taiwan  
Tel: +886-2-2656 2808  
Fax: +886-2-2656 2806

##### **USA Office**

##### **BCD Semiconductor Corp.**

30920 Huntwood Ave. Hayward, CA 94544, USA  
Tel : +1-510-324-2988  
Fax: +1-510-324-2788