



STP5NK100Z, STF5NK100Z STW5NK100Z

N-channel 1000 V, 2.7 Ω , 3.5 A, TO-220, TO-220FP, TO-247
SuperMESH3™ Power MOSFET

Features

Type	V _{DSS} (@T _{JMAX})	R _{DS(on)} max	I _D
STF5NK100Z	1000 V	< 3.7 Ω	3.5 A
STP5NK100Z	1000 V	< 3.7 Ω	3.5 A
STW5NK100Z	1000 V	< 3.7 Ω	3.5 A

- Extremely high dv/dt capability
- 100% avalanche tested
- Gate charge minimized
- Very low intrinsic capacitances
- Very good manufacturing repeatability

Applications

- Switching application

Description

The new SuperMESH™ series of Power MOSFETS is the result of further design improvements on ST's well-established strip-based PowerMESH™ layout. In addition to significantly lower on-resistance, the device offers superior dv/dt capability to ensure optimal performance even in the most demanding applications. The SuperMESH™ devices further complement an already broad range of innovative high voltage MOSFETS, which includes the revolutionary MDmesh™ products.

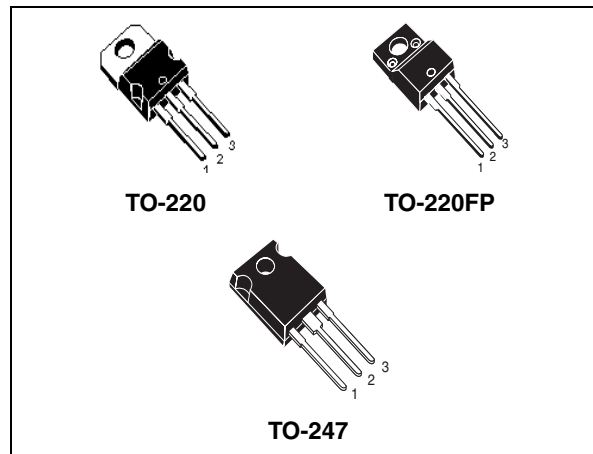


Figure 1. Internal schematic diagram

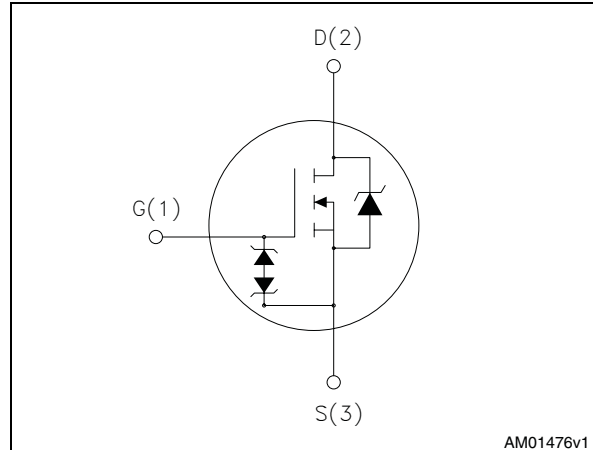


Table 1. Device summary

Order code	Marking	Package	Packaging
STF5NK100Z	F5NK100Z	TO-220FP	Tube
STP5NK100Z	P5NK100Z	TO-220	Tube
STW5NK100Z	W5NK100Z	TO-247	Tube

Contents

1	Electrical ratings	3
2	Electrical characteristics	4
	2.1 Electrical characteristics (curves)	6
3	Test circuit	9
4	Package mechanical data	10
5	Revision history	14

1 Electrical ratings

Table 2. Absolute maximum ratings

Symbol	Parameter	Value		Unit
		TO-220, TO-247	TO-220FP	
V_{DS}	Drain-source voltage ($V_{GS} = 0$)	1000		V
V_{GS}	Gate-source voltage	± 30		V
I_D	Drain current (continuous) at $T_C = 25^\circ\text{C}$	3.5	3.5 ⁽¹⁾	A
I_D	Drain current (continuous) at $T_C=100^\circ\text{C}$	2.2	2.2 ⁽¹⁾	A
$I_{DM}^{(2)}$	Drain current (pulsed)	14	14 ⁽¹⁾	A
P_{TOT}	Total dissipation at $T_C = 25^\circ\text{C}$	125	30	W
	Derating factor	1	0.24	W/°C
$V_{ESD(G-S)}$	Gate source ESD (HBM-C=100pF, R=1.5 kΩ)	4000		V
$dv/dt^{(3)}$	Peak diode recovery voltage slope	4.5		V/ns
V_{ISO}	Insulation withstand voltage (RMS) from all three leads to external heat sink ($t=1$ s; $T_C= 25^\circ\text{C}$)		2500	V
T_J T_{stg}	Operating junction temperature Storage temperature	-55 to 150		°C

- Limited only by maximum temperature allowed
- Pulse width limited by safe operating area
- $I_{SD} \leq 3.5$ A, $di/dt \leq 200$ A/ μs , $V_{DD} \leq V_{(BR)DSS}$, $T_J \leq T_{JMAX}$.

Table 3. Thermal data

Symbol	Parameter	Value		Unit
		TO-220, TO-247	TO-220FP	
$R_{thj-case}$	Thermal resistance junction-case max	1	4.2	°C/W
R_{thj-a}	Thermal resistance junction-ambient max	62.5		°C/W
T_l	Maximum lead temperature for soldering purpose	300		°C

Table 4. Avalanche characteristics

Symbol	Parameter	Value	Unit
I_{AR}	Avalanche current, repetitive or not-repetitive (pulse width limited by T_{JMAX})	3.5	A
E_{AS}	Single pulse avalanche energy (starting $T_J=25^\circ\text{C}$, $I_d=I_{AR}$, $V_{dd}=50$ V)	250	mJ

2 Electrical characteristics

($T_{CASE}=25^{\circ}C$ unless otherwise specified)

Table 5. On/off states

Symbol	Parameter	Test conditions	Min.	Typ.	Max.	Unit
$V_{(BR)DSS}$	Drain-source breakdown voltage	$I_D = 1 \text{ mA}, V_{GS} = 0$	1000			V
I_{DSS}	Zero gate voltage drain current ($V_{GS} = 0$)	$V_{DS} = \text{Max rating},$ $V_{DS} = \text{Max rating},$ $T_c = 125^{\circ}C$			1 50	μA μA
I_{GSS}	Gate body leakage current ($V_{GS} = 0$)	$V_{GS} = \pm 20 \text{ V}$			± 10	μA
$V_{GS(th)}$	Gate threshold voltage	$V_{DS} = V_{GS}, I_D = 100 \mu A$	3	3.75	4.5	V
$R_{DS(on)}$	Static drain-source on resistance	$V_{GS} = 10 \text{ V}, I_D = 1.75 \text{ A}$		2.7	3.7	Ω

Table 6. Dynamic

Symbol	Parameter	Test conditions	Min.	Typ.	Max.	Unit
$g_{fs}^{(1)}$	Forward transconductance	$V_{DS} = 15 \text{ V}, I_D = 1.75 \text{ A}$	-	4		S
C_{iss}	Input capacitance	$V_{DS} = 25 \text{ V}, f = 1 \text{ MHz},$ $V_{GS} = 0$	-	1154		pF
C_{oss}	Output capacitance			106		pF
C_{rss}	Reverse transfer capacitance			21.3		pF
$C_{osseq}^{(2)}$	Equivalent output capacitance	$V_{GS} = 0, V_{DS} = 0 \text{ V to } 800 \text{ V}$	-	46.8		pF
$t_{d(on)}$	Turn-on delay time	$V_{DD} = 500 \text{ V}, I_D = 1.75 \text{ A},$ $R_G = 4.7 \Omega, V_{GS} = 10 \text{ V}$ (see Figure 21)	-	22.5		ns
t_r	Rise time			7.7		ns
$t_{d(off)}$	Off-voltage rise time			51.5		ns
t_f	Fall time			19		ns
Q_g	Total gate charge	$V_{DD} = 800 \text{ V}, I_D = 3.5 \text{ A}$ $V_{GS} = 10 \text{ V}$ (see Figure 22)	-	42	59	nC
Q_{gs}	Gate-source charge			7.3		nC
Q_{gd}	Gate-drain charge			21.7		nC

1. Pulsed: pulse duration=300 μs , duty cycle 1.5%

2. $C_{oss eq.}$ is defined as a constant equivalent capacitance giving the same charging time as C_{oss} when V_{DS} increases from 0 to 80% V_{DSS}

Table 7. Source drain diode

Symbol	Parameter	Test conditions	Min.	Typ.	Max.	Unit
I_{SD}	Source-drain current		-		3.5	A
$I_{SDM}^{(1)}$	Source-drain current (pulsed)		-		14	A
$V_{SD}^{(2)}$	Forward on voltage	$I_{SD}=3.5\text{ A}$, $V_{GS}=0$	-		1.6	V
t_{rr} Q_{rr} I_{RRM}	Reverse recovery time Reverse recovery charge Reverse recovery current	$I_{SD}=3.5\text{ A}$, $di/dt = 100\text{ A}/\mu\text{s}$, $V_{DD}=30\text{ V}$ (see Figure 23)	-	605 3.09 10.5		ns μC A
t_{rr} Q_{rr} I_{RRM}	Reverse recovery time Reverse recovery charge Reverse recovery current	$I_{SD}=3.5\text{ A}$, $di/dt = 100\text{ A}/\mu\text{s}$, $V_{DD}=35\text{ V}$, $T_j=150\text{ }^\circ\text{C}$ (see Figure 23)	-	742 4.2 11.2		ns μC A

1. Pulse width limited by safe operating area
2. Pulsed: pulse duration=300 μs , duty cycle 1.5%

Table 8. Gate-source Zener diode

Symbol	Parameter	Test conditions	Min.	Typ.	Max.	Unit
BV_{GSO}	Gate-source breakdown voltage	$I_{gs}=\pm 1\text{ mA}$ (open drain)	30			V

The built-in back-to-back Zener diodes have specifically been designed to enhance not only the device's ESD capability, but also to make them safely absorb possible voltage transients that may occasionally be applied from gate to source. In this respect the Zener voltage is appropriate to achieve an efficient and cost-effective intervention to protect the device's integrity. These integrated Zener diodes thus avoid the usage of external components.

2.1 Electrical characteristics (curves)

Figure 2. Safe operating area for TO-220FP

Figure 3. Thermal impedance for TO-220FP

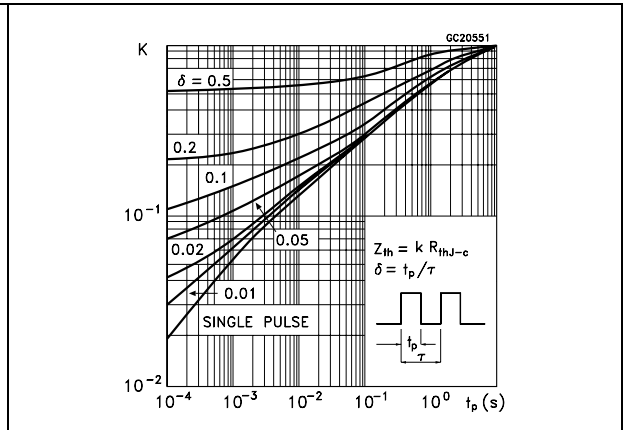
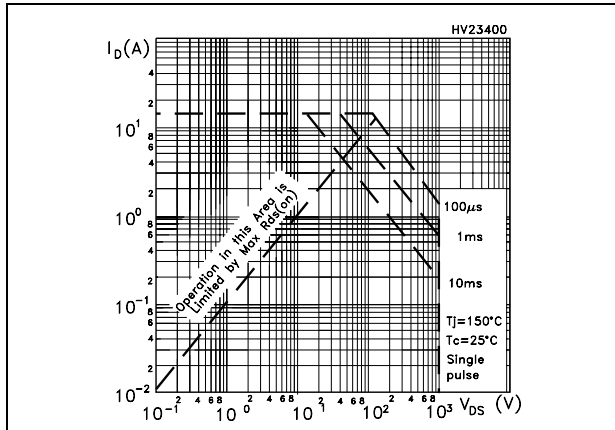


Figure 4. Safe operating area for TO-220

Figure 5. Thermal impedance for TO-220

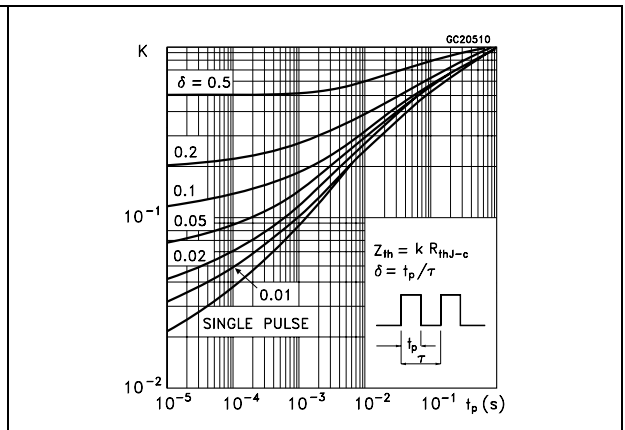
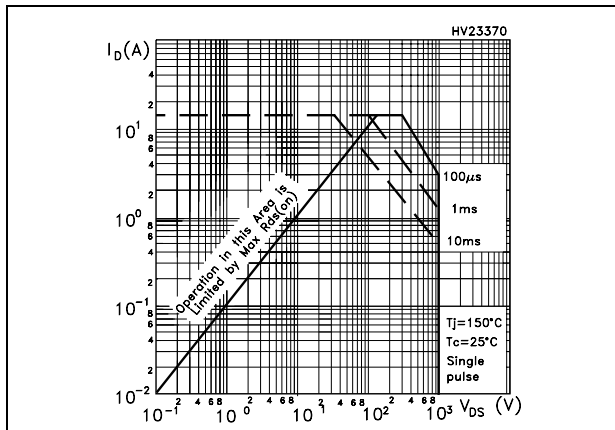


Figure 6. Safe operating area for TO-247

Figure 7. Thermal impedance for TO-247

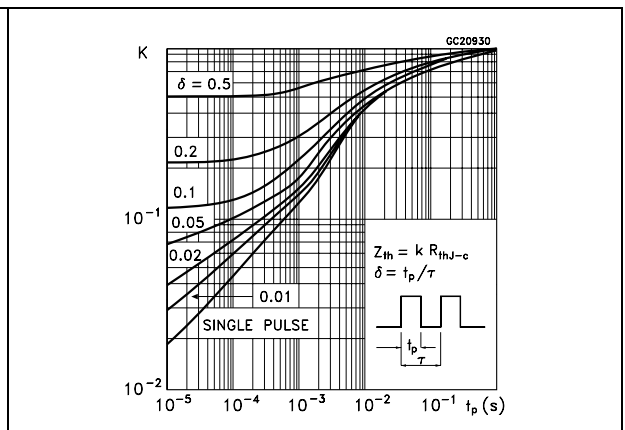
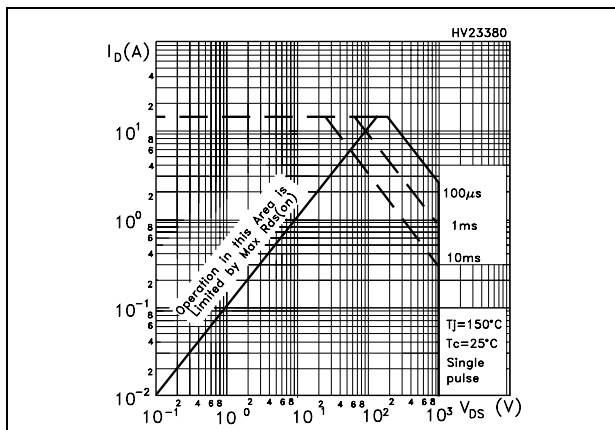


Figure 8. Output characteristics

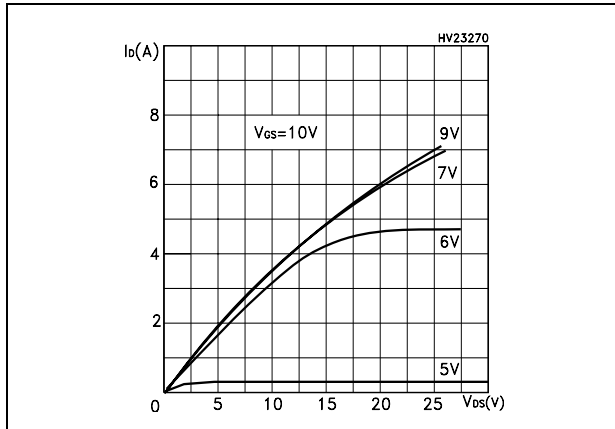


Figure 9. Transfer characteristics

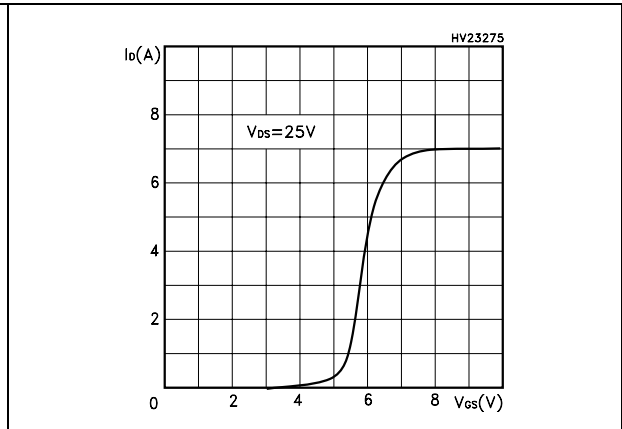


Figure 10. Transconductance

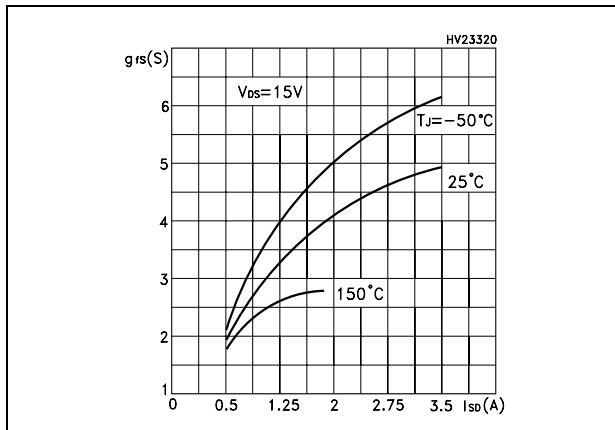


Figure 11. Static drain-source on resistance

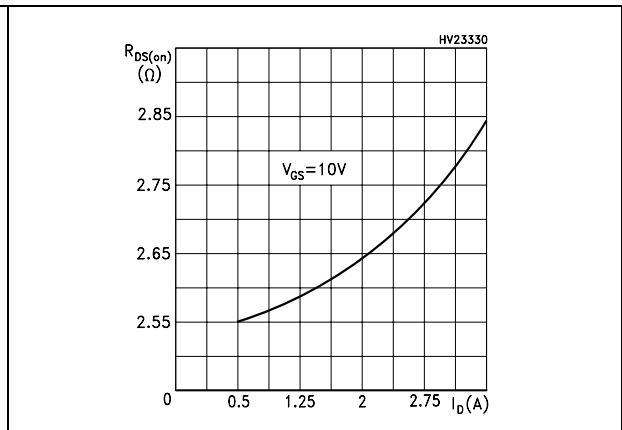


Figure 12. Gate charge vs gate-source voltage Figure 13. Capacitance variations

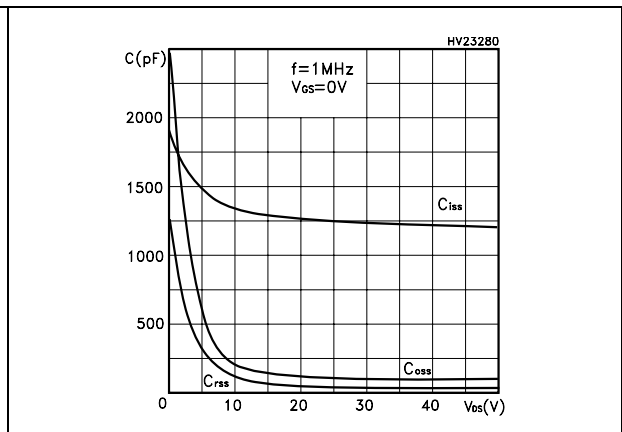
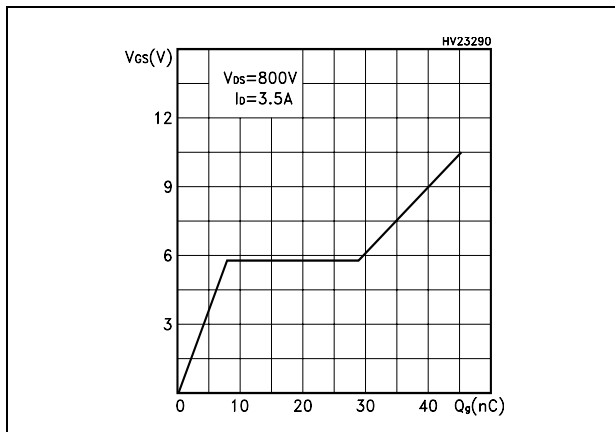


Figure 14. Normalized gate threshold voltage vs temperature

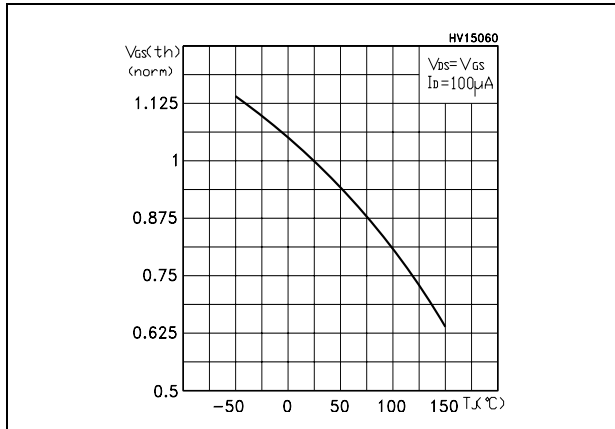


Figure 15. Normalized on resistance vs temperature

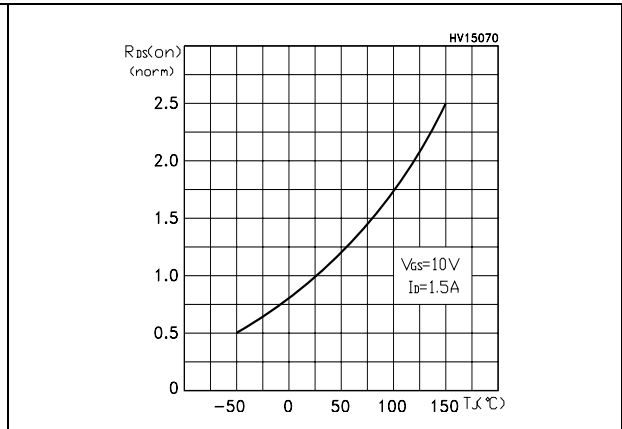


Figure 16. Source-drain diode forward characteristics

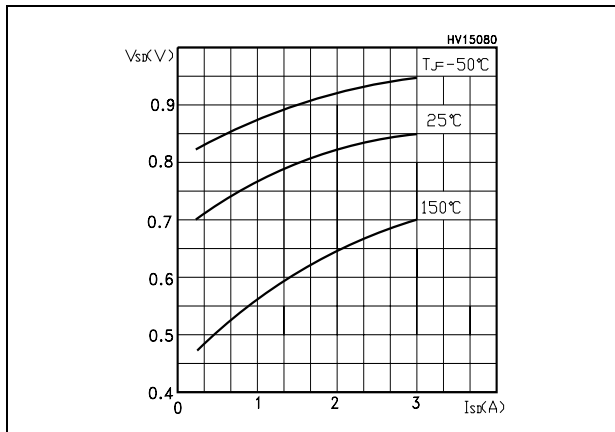


Figure 17. Normalized BVdss vs temperature

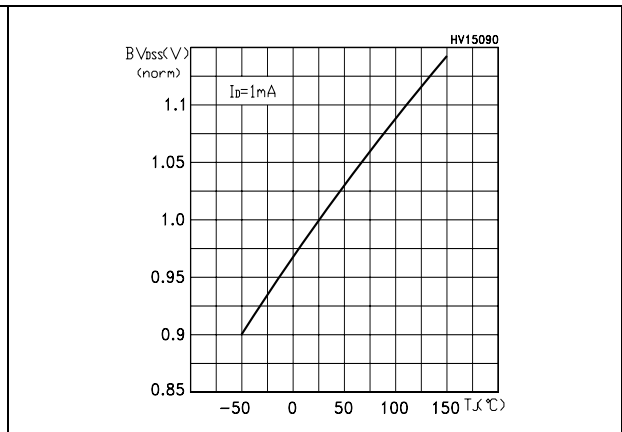
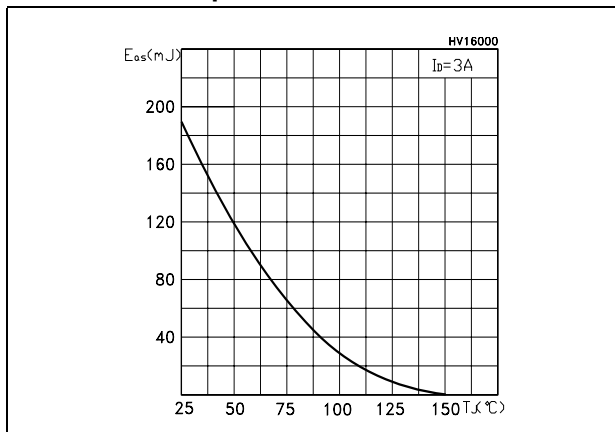


Figure 18. Maximum avalanche energy vs temperature



3 Test circuits

Figure 19. Unclamped inductive load test circuit

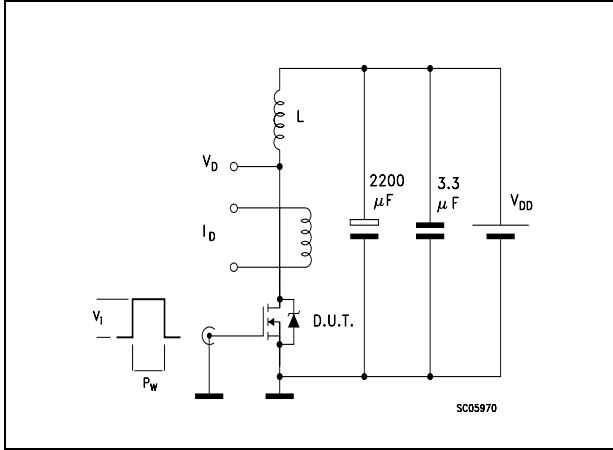


Figure 20. Unclamped inductive waveform

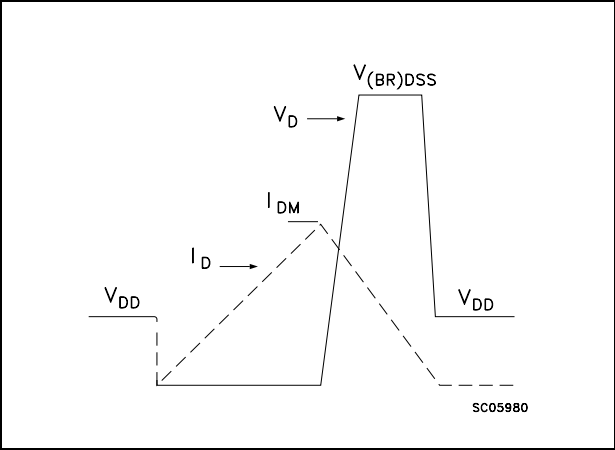


Figure 21. Switching times test circuit for resistive load

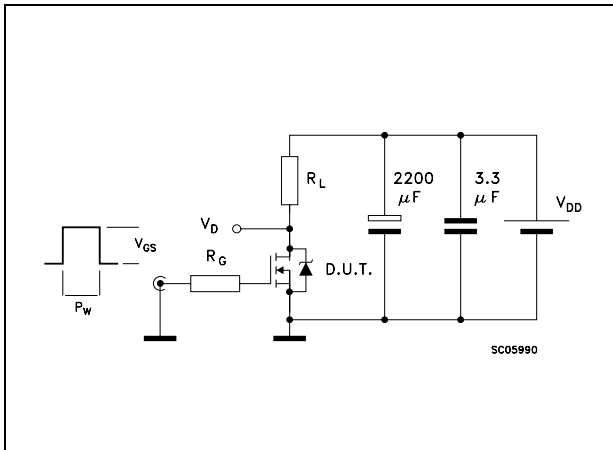


Figure 22. Gate charge test circuit

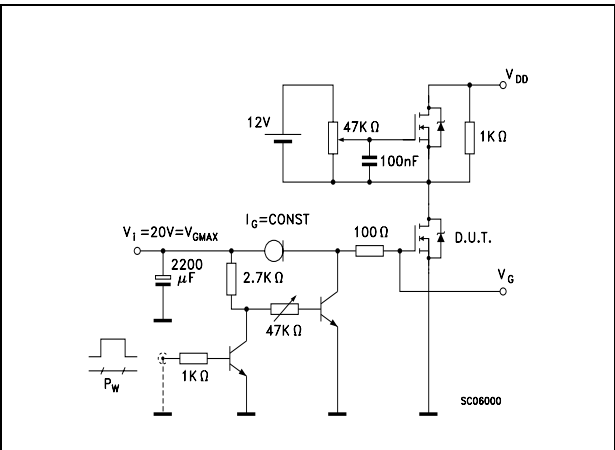
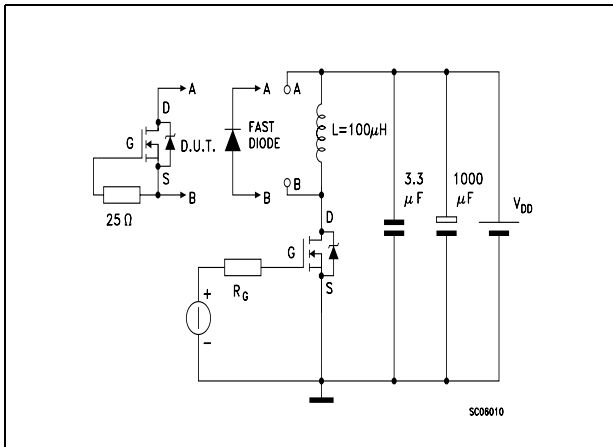


Figure 23. Test circuit for inductive load switching and diode recovery times

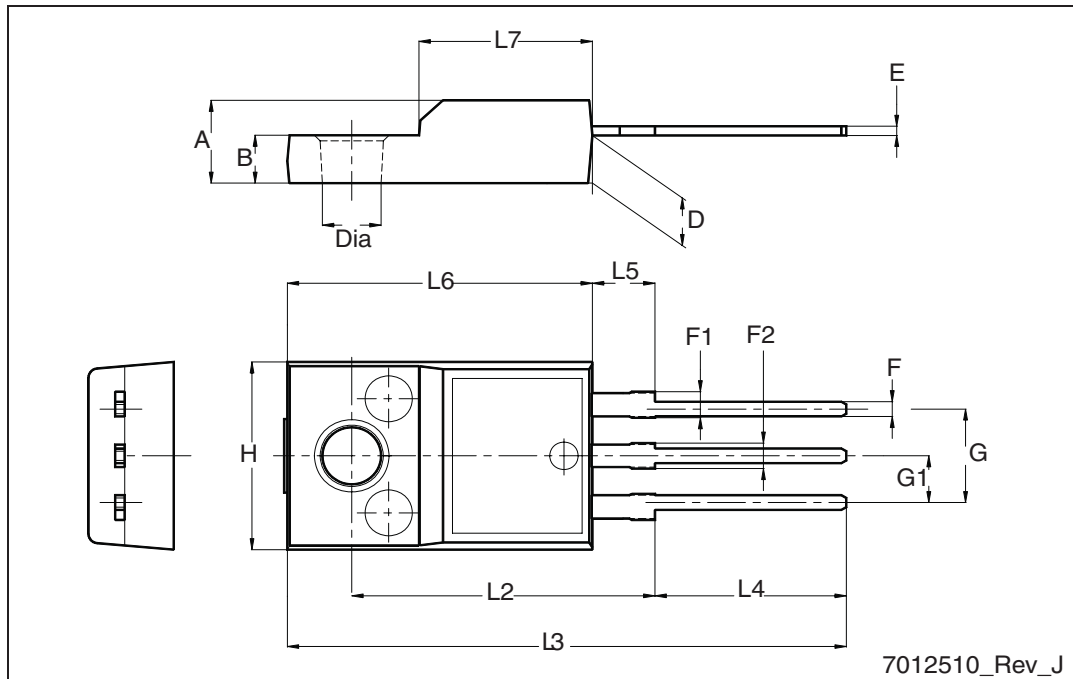


4 Package mechanical data

In order to meet environmental requirements, ST offers these devices in different grades of ECOPACK[®] packages, depending on their level of environmental compliance. ECOPACK[®] specifications, grade definitions and product status are available at: www.st.com. ECOPACK is an ST trademark.

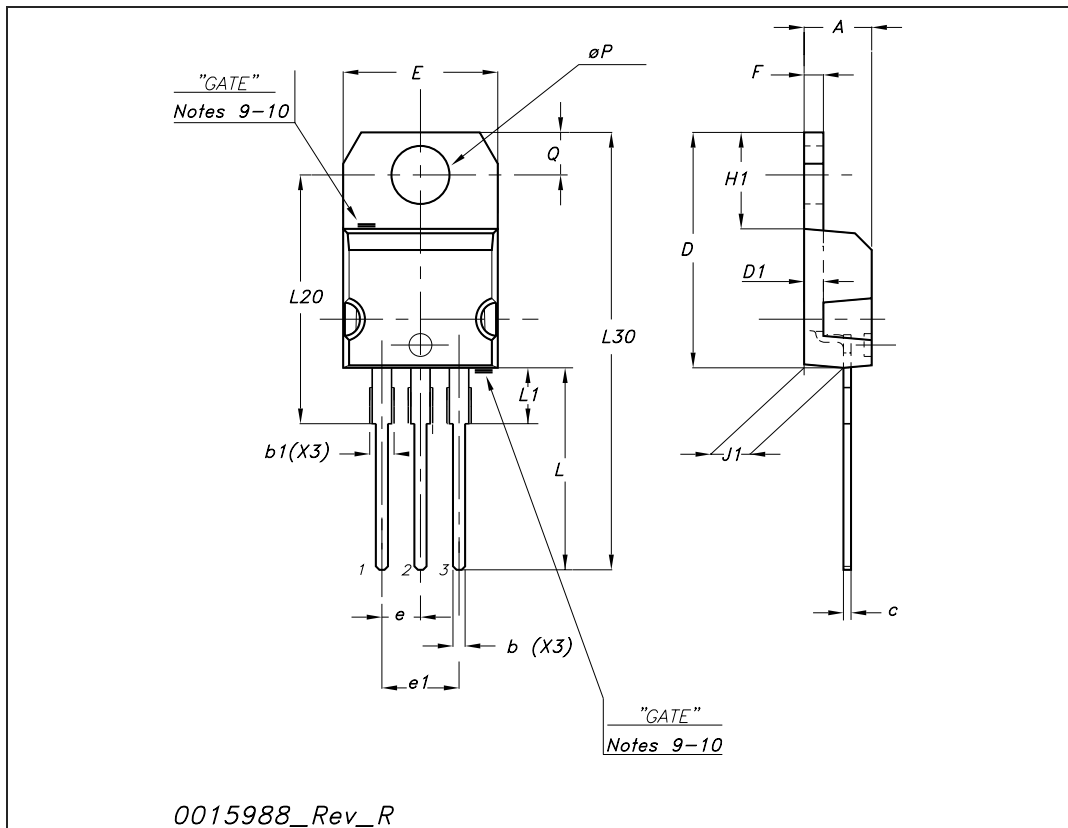
TO-220FP mechanical data

Dim.	mm		
	Min.	Typ.	Max.
A	4.4		4.6
B	2.5		2.7
D	2.5		2.75
E	0.45		0.7
F	0.75		1
F1	1.15		1.70
F2	1.15		1.5
G	4.95		5.2
G1	2.4		2.7
H	10		10.4
L2		16	
L3	28.6		30.6
L4	9.8		10.6
L5	2.9		3.6
L6	15.9		16.4
L7	9		9.3
Dia	3		3.2



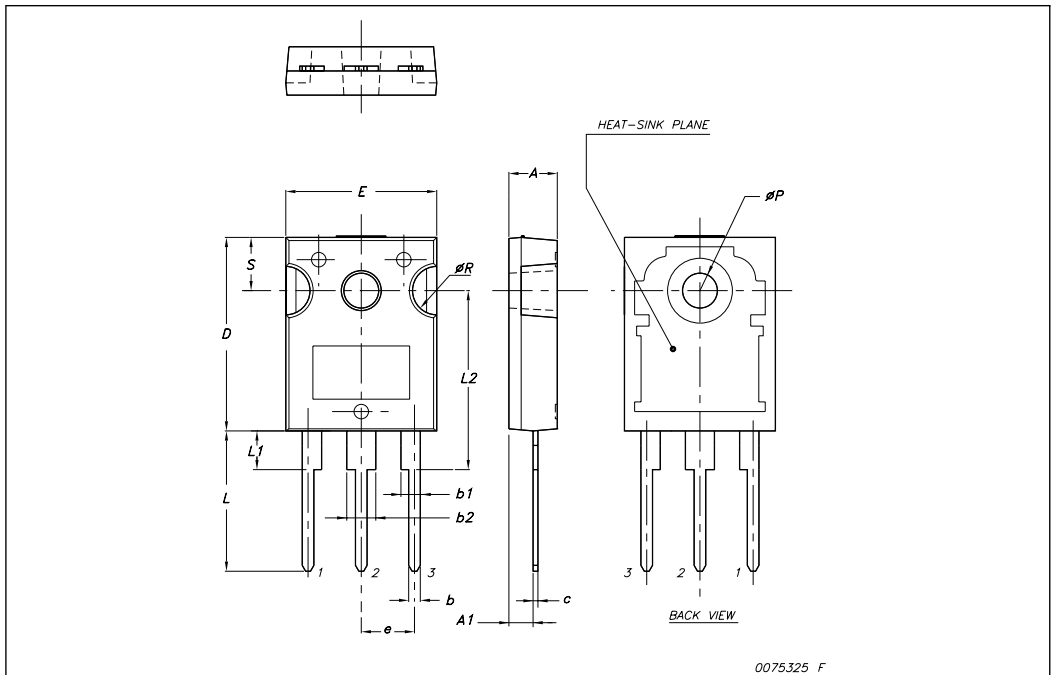
TO-220 mechanical data

Dim	mm			inch		
	Min	Typ	Max	Min	Typ	Max
A	4.40		4.60	0.173		0.181
b	0.61		0.88	0.024		0.034
b1	1.14		1.70	0.044		0.066
c	0.48		0.70	0.019		0.027
D	15.25		15.75	0.6		0.62
D1		1.27			0.050	
E	10		10.40	0.393		0.409
e	2.40		2.70	0.094		0.106
e1	4.95		5.15	0.194		0.202
F	1.23		1.32	0.048		0.051
H1	6.20		6.60	0.244		0.256
J1	2.40		2.72	0.094		0.107
L	13		14	0.511		0.551
L1	3.50		3.93	0.137		0.154
L20		16.40			0.645	
L30		28.90			1.137	
∅P	3.75		3.85	0.147		0.151
Q	2.65		2.95	0.104		0.116



TO-247 Mechanical data

Dim.	mm.		
	Min.	Typ	Max.
A	4.85		5.15
A1	2.20		2.60
b	1.0		1.40
b1	2.0		2.40
b2	3.0		3.40
c	0.40		0.80
D	19.85		20.15
E	15.45		15.75
e		5.45	
L	14.20		14.80
L1	3.70		4.30
L2		18.50	
øP	3.55		3.65
øR	4.50		5.50
S		5.50	



5 Revision history

Table 9. Document revision history

Date	Revision	Changes
12-Oct-2004	1	First release
08-Sep-2005	2	Complete datasheet
16-Dec-2005	3	Inserted ecopack indication
16-Aug-2006	4	New template, no content change
15-May-2009	5	Modified: Section 2.1: Electrical characteristics (curves)

Please Read Carefully:

Information in this document is provided solely in connection with ST products. STMicroelectronics NV and its subsidiaries ("ST") reserve the right to make changes, corrections, modifications or improvements, to this document, and the products and services described herein at any time, without notice.

All ST products are sold pursuant to ST's terms and conditions of sale.

Purchasers are solely responsible for the choice, selection and use of the ST products and services described herein, and ST assumes no liability whatsoever relating to the choice, selection or use of the ST products and services described herein.

No license, express or implied, by estoppel or otherwise, to any intellectual property rights is granted under this document. If any part of this document refers to any third party products or services it shall not be deemed a license grant by ST for the use of such third party products or services, or any intellectual property contained therein or considered as a warranty covering the use in any manner whatsoever of such third party products or services or any intellectual property contained therein.

UNLESS OTHERWISE SET FORTH IN ST'S TERMS AND CONDITIONS OF SALE ST DISCLAIMS ANY EXPRESS OR IMPLIED WARRANTY WITH RESPECT TO THE USE AND/OR SALE OF ST PRODUCTS INCLUDING WITHOUT LIMITATION IMPLIED WARRANTIES OF MERCHANTABILITY, FITNESS FOR A PARTICULAR PURPOSE (AND THEIR EQUIVALENTS UNDER THE LAWS OF ANY JURISDICTION), OR INFRINGEMENT OF ANY PATENT, COPYRIGHT OR OTHER INTELLECTUAL PROPERTY RIGHT.

UNLESS EXPRESSLY APPROVED IN WRITING BY AN AUTHORIZED ST REPRESENTATIVE, ST PRODUCTS ARE NOT RECOMMENDED, AUTHORIZED OR WARRANTED FOR USE IN MILITARY, AIR CRAFT, SPACE, LIFE SAVING, OR LIFE SUSTAINING APPLICATIONS, NOR IN PRODUCTS OR SYSTEMS WHERE FAILURE OR MALFUNCTION MAY RESULT IN PERSONAL INJURY, DEATH, OR SEVERE PROPERTY OR ENVIRONMENTAL DAMAGE. ST PRODUCTS WHICH ARE NOT SPECIFIED AS "AUTOMOTIVE GRADE" MAY ONLY BE USED IN AUTOMOTIVE APPLICATIONS AT USER'S OWN RISK.

Resale of ST products with provisions different from the statements and/or technical features set forth in this document shall immediately void any warranty granted by ST for the ST product or service described herein and shall not create or extend in any manner whatsoever, any liability of ST.

ST and the ST logo are trademarks or registered trademarks of ST in various countries.

Information in this document supersedes and replaces all information previously supplied.

The ST logo is a registered trademark of STMicroelectronics. All other names are the property of their respective owners.

© 2009 STMicroelectronics - All rights reserved

STMicroelectronics group of companies

Australia - Belgium - Brazil - Canada - China - Czech Republic - Finland - France - Germany - Hong Kong - India - Israel - Italy - Japan - Malaysia - Malta - Morocco - Philippines - Singapore - Spain - Sweden - Switzerland - United Kingdom - United States of America

www.st.com

