

SG6849

Low-Power, Green-Mode PWM Flyback Power Controller without Secondary Feedback

Features

- Linearly Decreasing PWM Frequency
- Green-Mode Under Light-Load and Zero-Load Conditions
- Constant Voltage (CV) and Constant Current (CC)
- No Secondary Feedback
- Low Startup Current: 5 μ A
- Low Operating Current: 3.6mA
- Leading-Edge Blanking (LEB)
- Constant Power Limit
- Universal AC Input Range
- Synchronized Slope Compensation
- 150°C OTP Sensor with Hysteresis
- V_{DD} Over-Voltage Clamping
- Cycle-by-Cycle Current Limiting
- Under-Voltage Lockout (UVLO)
- Fixed PWM Frequency: 65kHz
- Gate Output Maximum Voltage Clamped at 16.7V
- Small SSOT-6 Package

Applications

Low-power, flyback power converters, such as:

- Battery chargers for cellular phones, cordless phones, PDAs, digital cameras, and power tools
- Power adapters for ink jet printers, video game consoles, and portable audio players
- Open-frame SMPS for TV/DVD standby and other auxiliary supplies, home appliances, consumer electronics, and PC 5V standby-power
- Replacements for linear transformers and RCC SMPS

Description

This highly integrated PWM controller provides several features to enhance the performance of low-power flyback converters. To minimize standby power consumption, the proprietary green-mode function provides off-time modulation to linearly decrease the switching frequency under light-load and zero-load conditions. This green-mode function enables the power supply to meet international power conservation requirements.

The supply voltage V_{DD} is also used for feedback compensation to regulate the output voltage without requiring a conventional TL431 and a photo-coupler. An advantage of the SG6849 is a typical startup current of only 5 μ A, while the typical operating current can be as low as 3.6mA. A large startup resistance can be used to achieve even higher power conversion efficiency.

Built-in synchronized slope compensation maintains the stability of peak current-mode control. Proprietary internal compensation ensures constant output power limiting over a universal range of AC input voltages, from 90V_{AC} to 264V_{AC}.

The SG6849 provides many protection functions. Pulse-by-pulse current limiting ensures a constant output current, even if a short circuit occurs. The internal protection circuit disables PWM output if V_{DD} exceeds 22.7V. The gate output is clamped at 16.7V to protect the power MOS from over-voltage damage. The built-in over-temperature protection (OTP) function shuts down the controller at 150°C with a 20°C hysteresis.

The SG6849 is designed to provide a low-cost total solution for flyback converters. It is available in a small footprint, 6-pin, SSOT-6 package.

Related Resources

- [AN-6849 - Low Cost, Green-Mode PWM Controller for Flyback Converters](#)

Ordering Information

| Part Number | Operating Temperature Range | Package | Eco Status | Packing Method |
|-------------|-----------------------------|----------------------------------|------------|----------------|
| SG684965TZ | -40°C to +105°C | Small SOT-26 Package | RoHS | Tape & reel |
| SG684965DZ | -40°C to +105°C | 8-pin Dual in-line Package (DIP) | RoHS | Tube |
| SG684965DY | -40°C to +105°C | 8-pin Dual in-line Package (DIP) | Green | Tube |

For Fairchild's definition of "green" Eco Status, please visit: http://www.fairchildsemi.com/company/green/rohs_green.html.

Application Diagram

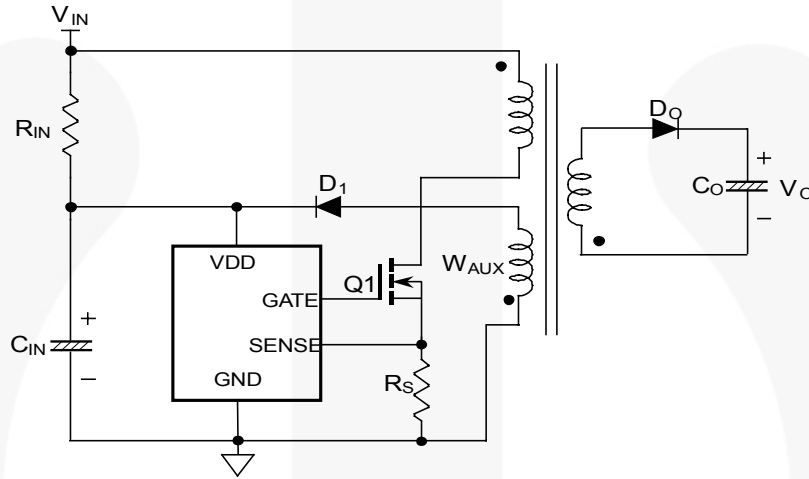


Figure 1. Typical Application

Internal Block Diagram

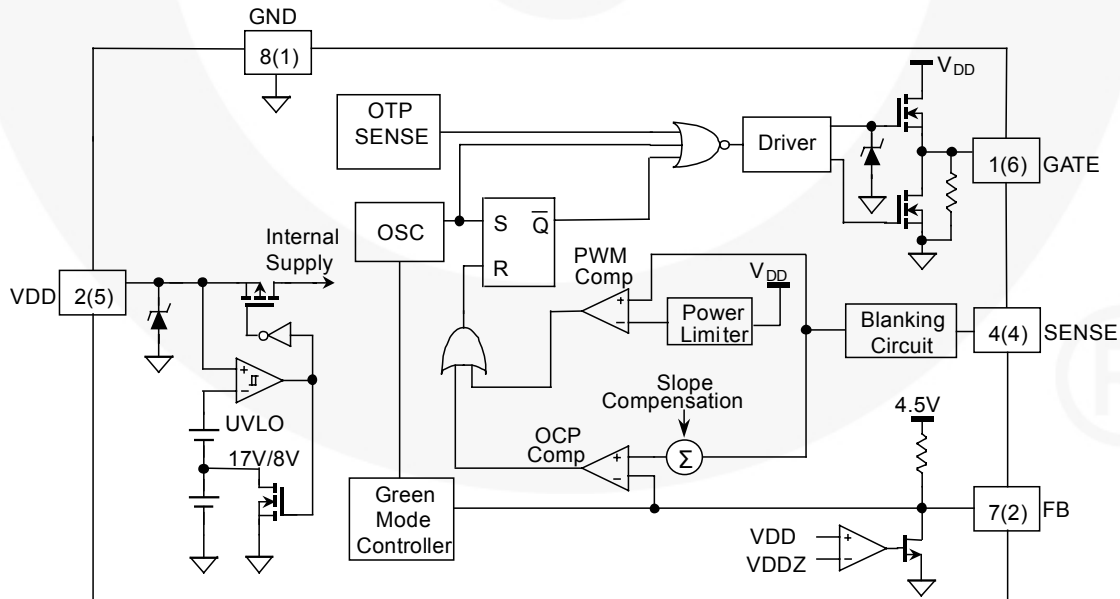
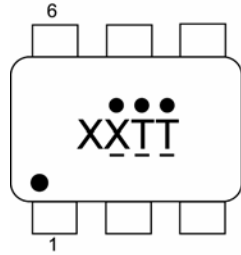


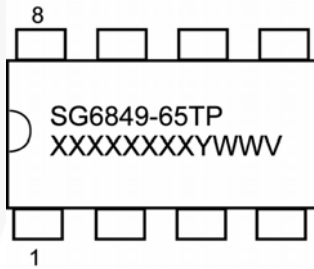
Figure 2. Functional Block Diagram

Marking Information



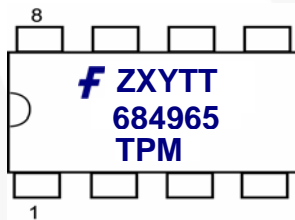
XX: BB=SG6849-65T
 TT : Die Run Code
 . . . : Year Code
 - - - : Week Code

***Marking for SG684965TZ (Pb-free)**



T: D=DIP
 P: Z= Lead free + RoHS Compatible
 Null=Regular Package
 XXXXXXXX: Wafer Lot
 Y: Year
 WW: Week
 V: Assembly location

***Marking for SG684965DZ (Pb-free)**



F- Fairchild Logo
 Z- Plant Code
 X- 1 Digit Year Code
 Y- 1 Digit Week Code
 TT: 2 Digits Die Run Code
 T: Package Type (D=DIP)
 P: Z: Pb-free, Y: Green package
 M: Manufacture Flow Code

***Marking for SG684965DY (Green Compound)**

Figure 3. Top Mark

Pin Configurations

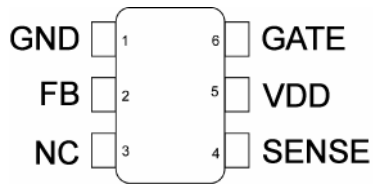


Figure 4. SSOT-6 Pin Configuration

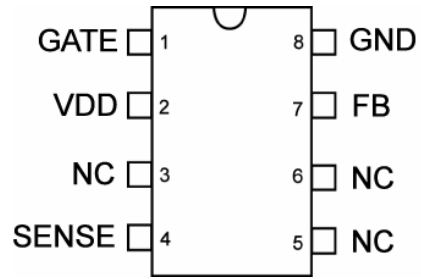


Figure 5. DIP-8 Pin Configuration

Pin Definitions

| DIP Pin # | SSOT Pin # | Name | Description |
|-----------|------------|-------|---|
| 1 | 6 | GATE | The totem-pole output driver for driving the power MOSFET. |
| 2 | 5 | VDD | Power supply. |
| 3 | | NC | No connection. |
| 4 | 4 | SENSE | Current sense. It senses the voltage across a sensed resistor. To provide over-current protection, PWM output is disabled if the voltage exceeds an internal threshold. This pin provides current information for current-mode control. |
| 5 | 3 | NC | No connection. |
| 6 | | NC | No connection. |
| 7 | 2 | FB | Feedback. The FB pin provides feedback information to the internal PWM comparator. This feedback is used to control the duty cycle. When no feedback is provided, this pin is left open. |
| 8 | 1 | GND | Ground. |

Absolute Maximum Ratings

Stresses exceeding the absolute maximum ratings may damage the device. The device may not function or be operable above the recommended operating conditions and stressing the parts to these levels is not recommended. In addition, extended exposure to stresses above the recommended operating conditions may affect device reliability. The absolute maximum ratings are stress ratings only.

| Symbol | Parameter | Min. | Max. | Unit |
|--------------------|---|------|-------|------|
| V _{VDD} | DC Supply Voltage ^(1, 2) | | 25 | V |
| V _{FB} | Input Voltage to FB Pin | -0.3 | 7.0 | V |
| V _{SENSE} | Input Voltage to Sense Pin | -0.3 | 7.0 | V |
| T _J | Operating Junction Temperature | -40 | +125 | °C |
| Θ _{JA} | Thermal Resistance (Junction-to-Air) | SSOT | 263.3 | °C/W |
| | | DIP | 135.7 | °C/W |
| T _{STG} | Storage Temperature Range | -55 | +150 | °C |
| T _L | Lead Temperature (Wave Soldering or IR, 10 Seconds) | | +260 | °C |
| ESD | Human Body Model, JEDEC:JESD22-A114 | | 3.0 | kV |
| | Machine Model, JEDEC:JESD22-C101 | | 300 | V |

Notes:

1. All voltage values, except differential voltages, are given with respect to GND pin.
2. Stresses beyond those listed under "absolute maximum ratings" may cause permanent damage to the device.

Electrical Characteristics

Unless otherwise noted, $V_{DD}=15V$ and $T_A=25^{\circ}C$.

| Symbol | Parameter | Conditions | Min. | Typ. | Max. | Units |
|-------------------------------|--|---------------------------|------------------|------------------|------------------|------------|
| V_{DD} Section | | | | | | |
| V_{DD-ON} | Turn-on Threshold Voltage | | 16 | 17 | 18 | V |
| V_{DD-OFF} | Turn-off Threshold Voltage | | 7.5 | 8.0 | 8.5 | V |
| I_{DD-ST} | Startup Current | $V_{DD}=15V$ | | 5 | 20 | μA |
| I_{DD-OP} | Operating Supply Current | $V_{DD}=15V, C_L=1nF$ | | 3.6 | 4.6 | mA |
| $V_{DD-CLAMP}$ | Zener Diode Breakdown Voltage | $I_{DD}=10mA$ | | 28 | 30 | V |
| $V_{DD-TH-G}$ | V_{DD} -Low Threshold Voltage for Exiting Green-Mode OFF | | $V_{DD-OFF}+1.0$ | $V_{DD-OFF}+1.5$ | $V_{DD-OFF}+2.0$ | V |
| Feedback Input Section | | | | | | |
| I_{FB-ZDC} | Zero Duty Cycle FB Input Current | | | 1.15 | 1.40 | mA |
| $V_{FB-OPEN}$ | Open-Loop Voltage | | 4.5 | | | V |
| Z_{FB} | Input Impedance | $I_{FB}=0.1mA$ to $0.2mA$ | | 2.4 | | k Ω |
| V_{DD-FB} | V_{DD} Feedback Threshold Voltage* | FB is Open | 20.0 | 22.7 | 25.0 | V |
| | | $I_{FB}=0.4mA$ | 18 | 20 | 22 | V |
| Current-Sense Section | | | | | | |
| t_{PD} | Delay to Output | | | 100 | | ns |
| V_{STHVA} | Valley Threshold Voltage for Current Limit | $V_{DD}=20V$ | 0.84 | 0.89 | 0.94 | V |
| | | $V_{DD}=15V$ | 0.72 | 0.77 | 0.82 | V |
| | | $V_{DD}=10V$ | 0.58 | 0.63 | 0.68 | V |
| t_{LEB} | Leading-Edge Blanking Time | | | 310 | | ns |

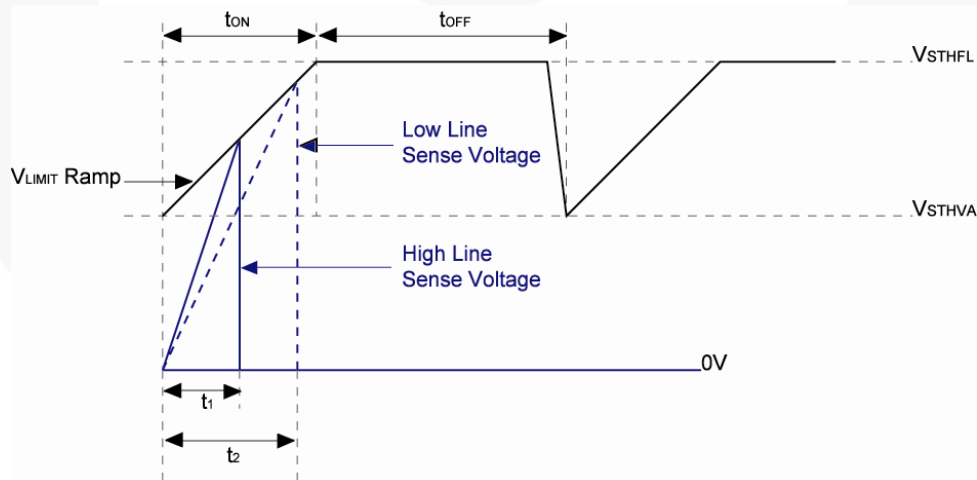


Figure 6. Saw Limit

Electrical Characteristics (Continued)Unless otherwise noted, $V_{DD}=15V$ and $T_A=25^{\circ}C$.

| Symbol | Parameter | Conditions | Min. | Typ. | Max. | Units |
|--|--|------------------------|------|------|------|-------------|
| Oscillator Section | | | | | | |
| f_{OSC} | Frequency | | 60 | 65 | 70 | kHz |
| f_{OSC-G} | Green-Mode Frequency | | 20 | 25 | 30 | kHz |
| I_{FB-G} | Green-Mode Ending FB Current | | 0.90 | 1.15 | 1.40 | mA |
| f_{DV} | Frequency Variation vs. V_{DD} Deviation | $V_{DD}=10$ to $20V$ | | | 2.00 | % |
| Output Section | | | | | | |
| DCY_{MAX} | Maximum Duty Cycle | | 70 | 75 | 80 | % |
| V_{GATE-L} | Output Voltage Low | $V_{DD}=15V, I_o=10mA$ | | | 1.5 | V |
| V_{GATE-H} | Output Voltage High | $V_{DD}=15V, I_o=10mA$ | 8 | | | V |
| t_r | Rising Time | $V_{DD}=15V, C_L=1nF$ | | 200 | | ns |
| t_f | Falling Time | $V_{DD}=15V, C_L=1nF$ | | 80 | | ns |
| $V_{GATE-CLAMP}$ | Output Clamp Voltage | $V_{DD}=20V$ | | 16.7 | 18.0 | V |
| Over-Temperature Protection (OTP) | | | | | | |
| T_{OTP} | Protection Junction Temperature | | | +150 | | $^{\circ}C$ |
| $T_{OTP-RESTART}$ | Restart Junction Temperature | | | +130 | | $^{\circ}C$ |

Typical Performance Characteristics

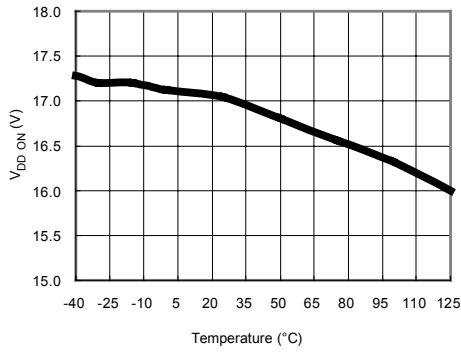


Figure 7. Turn-on Threshold Voltage (V_{DD-ON}) vs. Temperature

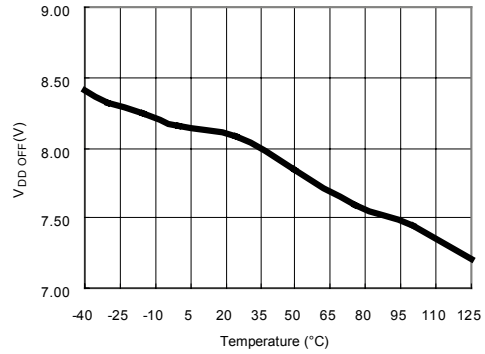


Figure 8. Turn-off Threshold Voltage (V_{DD-OFF}) vs. Temperature

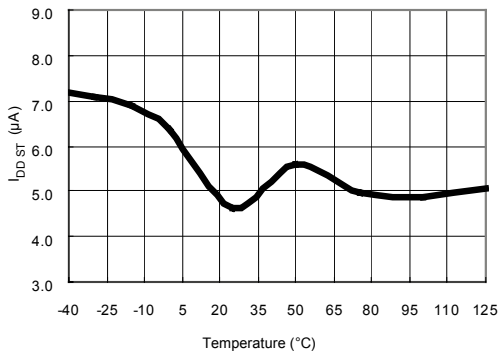


Figure 9. Startup Current (I_{DD-ST}) vs. Temperature

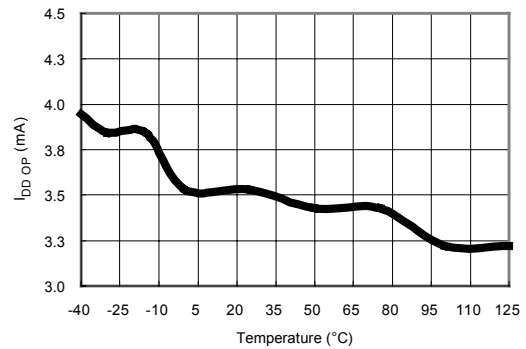


Figure 10. Center Frequency (f_{OSC}) vs. Temperature

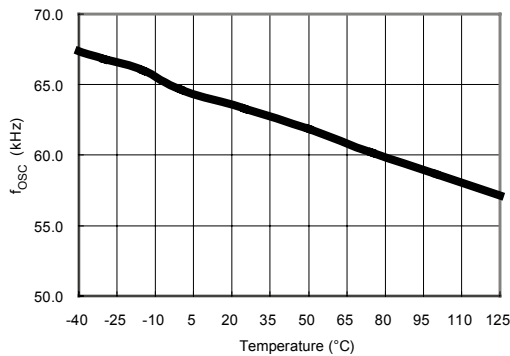


Figure 11. Center Frequency (f_{OSC}) vs. Temperature

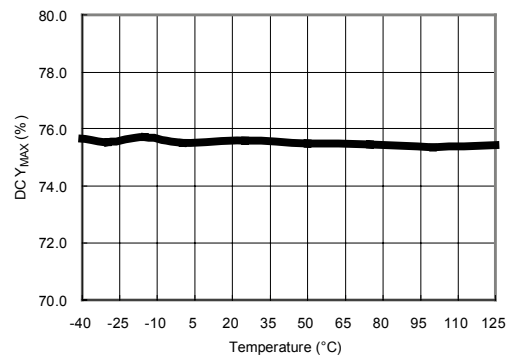


Figure 12. Maximum Duty Cycle (DCY_{MAX}) vs. Temperature

Typical Performance Characteristics (Continued)

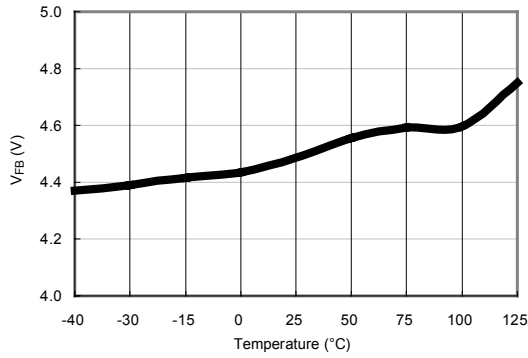


Figure 13. FB Open-Loop Voltage (V_{FB}) vs. Temperature

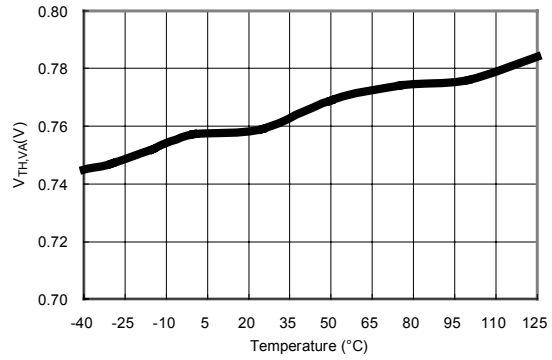


Figure 14. Valley Threshold Voltage (V_{STHVA}) vs. Temperature

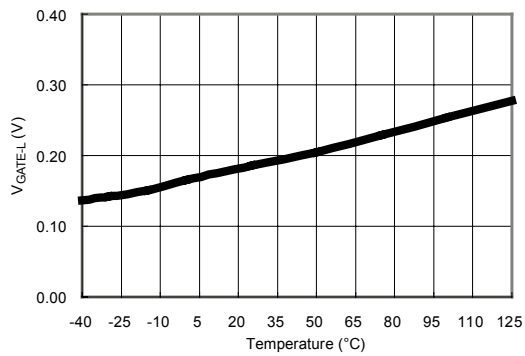


Figure 15. Output Voltage Low (V_{GATE-L}) vs. Temperature

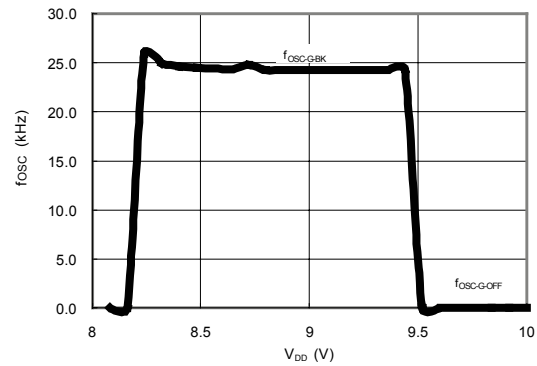


Figure 16. Green-Mode Burst Back and Green-Mode Off Frequency vs. V_{DD}

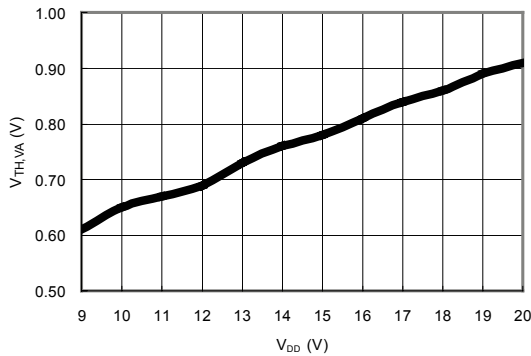


Figure 17. Valley Threshold Voltage (V_{STHVA}) vs. V_{DD}

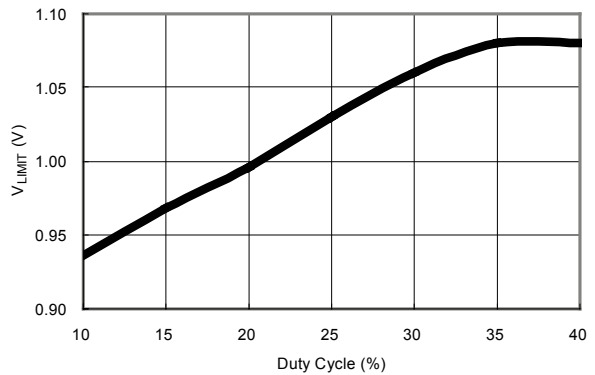


Figure 18. V_{LIMIT} Ramp vs. Duty Cycle

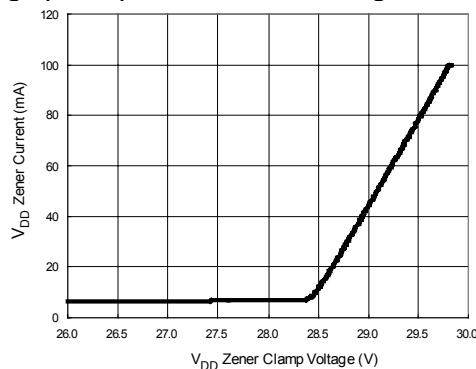


Figure 19. V_{DD} Zener Current vs. Zener Clamp Voltage

Operation Description

SG6849 devices integrate many useful functions for low-power switch-mode power supplies. The following descriptions highlight the key features of the SG6849.

Startup Current

The required startup current is only 5 μ A. This allows a high-resistance, low-wattage startup resistor to be used to supply the controller's startup power. A 1.5M Ω /0.25W startup resistor can be used over a wide input range (90V_{AC}-264V_{AC}) with very little power loss.

Operating Current

The operating current is normally 3.6mA. The low operating current results in higher efficiency and reduces the required V_{DD} hold-up capacitance. A 10 μ F/25V V_{DD} hold-up capacitor can be used over a wide input range (90V_{AC} -264V_{AC}) with little power loss.

Green-Mode Operation

The proprietary green-mode function provides off-time modulation to linearly decrease the switching frequency under light-load and zero-load conditions. The on-time is limited to provide better protection against brownouts and other abnormal conditions.

This green-mode function dramatically reduces power consumption under light-load and zero-load conditions. Power supplies using SG6849 can meet international restrictions regarding standby power-consumption.

Constant Voltage (CV) and Constant Current (CC) without Feedback

The SG6849 tightly regulates the output voltage and provide over-current protection without requiring secondary-side feedback signals. For improved CV and CC accuracy, the transformer leakage inductance should be reduced as much as possible.

Over-Temperature Protection (OTP)

The SG6849 has a built-in temperature sensing circuit to shut down PWM output once the junction temperature exceeds 150°C. While PWM output is shut down, the V_{DD} voltage gradually drops to the UVLO voltage. Some of the SG6849's internal circuits are shut down and V_{DD} gradually starts increasing again. When V_{DD} reaches 17V, all the internal circuits, including the temperature sensing circuit, starts operating normally. If the junction temperature is still higher than 150°C, the PWM controller is shut down immediately. This situation continues until the temperature drops below 130°C. The PWM output then turns back on. The temperature hysteresis window for the OTP circuit is 20°C.

V_{DD} Over-Voltage Clamping

V_{DD} over-voltage clamping is built in to prevent damage from over-voltage conditions. When V_{DD} exceeds 22.7V, PWM output is shut down. Over-voltage conditions may be caused by an open photo-coupler loop or a short circuit in the output.

Oscillator Operation

The oscillation frequency is fixed at 65kHz.

Leading-Edge Blanking (LEB)

Each time the power MOSFET is switched on, a turn-on spike occurs at the sense resistor. To avoid premature termination of the switching pulse, a 310ns leading-edge blanking time is built in. Conventional RC filtering is not necessary. During this blanking period, the current-limit comparator is disabled and it cannot switch off the gate drive.

Constant Output Power Limit

When the SENSE voltage across the sense resistor R_S reaches the threshold voltage (around 1.0V), the output GATE drive is turned off following a small propagation delay t_{PD}. This propagation delay introduces an additional current proportional to t_{PD}•V_{IN}/L_P. The propagation delay is nearly constant regardless of the input line voltage V_{IN}. Higher input line voltages result in larger additional currents. Under high input-line voltages, the output power limit is higher than under low input-line voltages.

Over a wide range of AC input voltages, the variation can be significant. To compensate for this, the threshold voltage is adjusted by adding a positive ramp (V_{LIMIT-ramp}). This ramp signal varies from 0.77V to 1.05V for SG6849 and it flattens out at 1.05V. A smaller threshold voltage forces the output GATE drive to terminate earlier, reducing total PWM turn-on time and making the output power equal to that of the low line input. This proprietary internal compensation feature ensures a constant output power limit over a wide range of AC input voltages (90V_{AC}-264V_{AC}).

Under-Voltage Lockout (UVLO)

The turn-on / turn-off thresholds of the SG6849 are fixed internally at 17V/8V. To enable the SG6849 during startup, the hold-up capacitor must first be charged to 17V through the startup resistor.

The hold-up capacitor continues to supply V_{DD} before energy can be delivered from the auxiliary winding of the main transformer. V_{DD} must not drop below 8V during this startup process. This UVLO hysteresis window ensures that the hold-up capacitor can adequately supply V_{DD} during startup.

Gate Output

The SG6849 BiCMOS output stage is a fast totem-pole gate driver. Cross-conduction is avoided to minimize heat dissipation, increase efficiency, and enhance reliability. The output driver is clamped by an internal 16.7V Zener diode to protect the power MOSFET transistors against harmful over-voltage gate signals.

Slope Compensation

The sensed voltage across the current sense resistor is used for current-mode control and pulse-by-pulse current limiting. The built-in slope compensation function improves power supply stability. Furthermore, it prevents sub-harmonic oscillations that normally would occur because of peak current mode control. A positively sloped, synchronized ramp is activated by the SG6849 with every switching cycle. The slope of the ramp is:

$$\frac{0.36 \times \text{Duty}}{\text{Duty}(\text{max.})} \quad (1)$$

Noise Immunity

Noise from the current sense or the control signal may cause significant pulse width jitter, particularly in continuous-conduction mode. Slope compensation helps alleviate this problem. Good placement and layout practices should be followed. Avoid long PCB traces and component leads. Compensation and filter components should be located near the SG6849. Increasing the power-MOS gate resistance is advised.

Applications Information

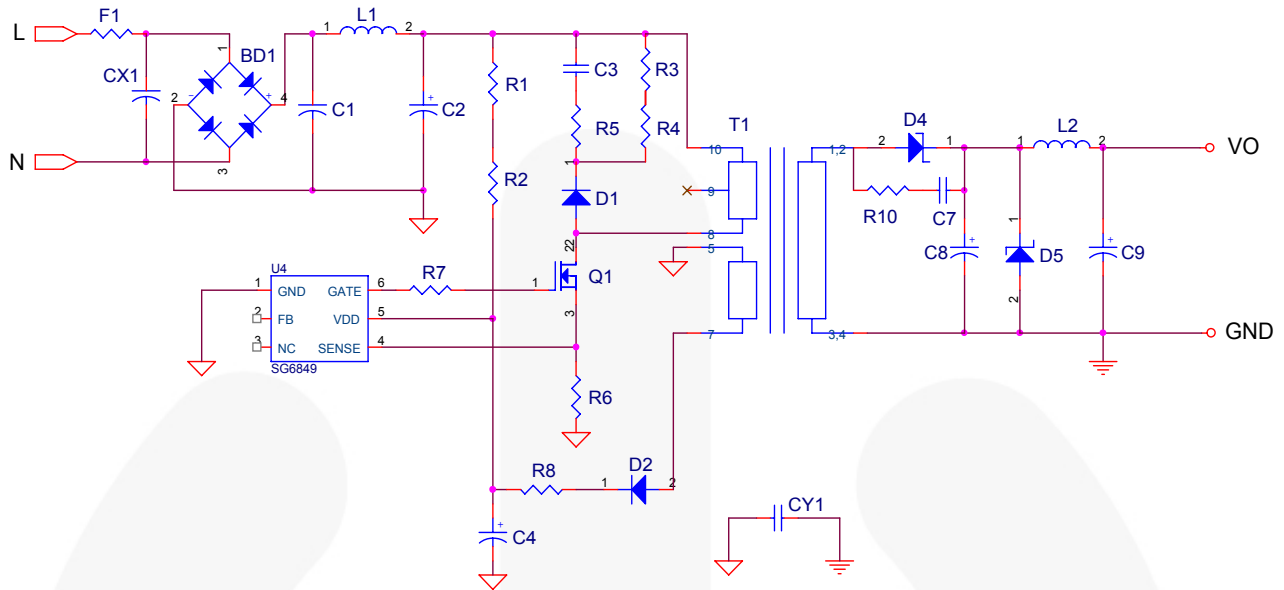


Figure 20. Reference Circuit (without Secondary-Side Feedback)

BOM

| Reference | Component | Reference | Component |
|--------------|-------------------------------------|---------------|--------------------------|
| BD1 | BD DI106 1A/600V | F1 | R 1 Ω /0.5W |
| CX1 (Option) | YC 472pF/400V (Y1) | L1 | Inductor 20mH 6*8mm |
| CY1 (Option) | YC 102pF/400V (Y1) | L2 | Inductor 10 μ H 6mm |
| C1 | CC 0.01 μ F/500V | Q1 | MOSFET 1A/600V |
| C2 | EC 10 μ F/400V 105 $^{\circ}$ C | R1,R2 | R 750k Ω /1206 |
| C3 | CC 1000pF/500V | R3,R4 | R 47k Ω /1206 |
| C4 | EC 10 μ F/50V | R5 | R 47 Ω /1206 |
| C7 (Option) | CC 102pF/100V 1206 | R6 | R 4.7 Ω /0.5W |
| C8 | EC 470 μ F/10V 105 $^{\circ}$ C | R7 | R 100 Ω /0805 |
| C9 | EC 220 μ F/10V 105 $^{\circ}$ C | R8 | R 10 Ω /1206 |
| D1 | Diode FRI07 | R10(Optional) | R 10 Ω /1206 |
| D2 | Diode FR102 | T1 | Transformer EE-16 |
| D4 | Diode SB360 | U4 | IC SG6849 (Green PWM IC) |
| D5 (Option) | ZD 6.8V/0.5W | | |

Applications Information (Continued)

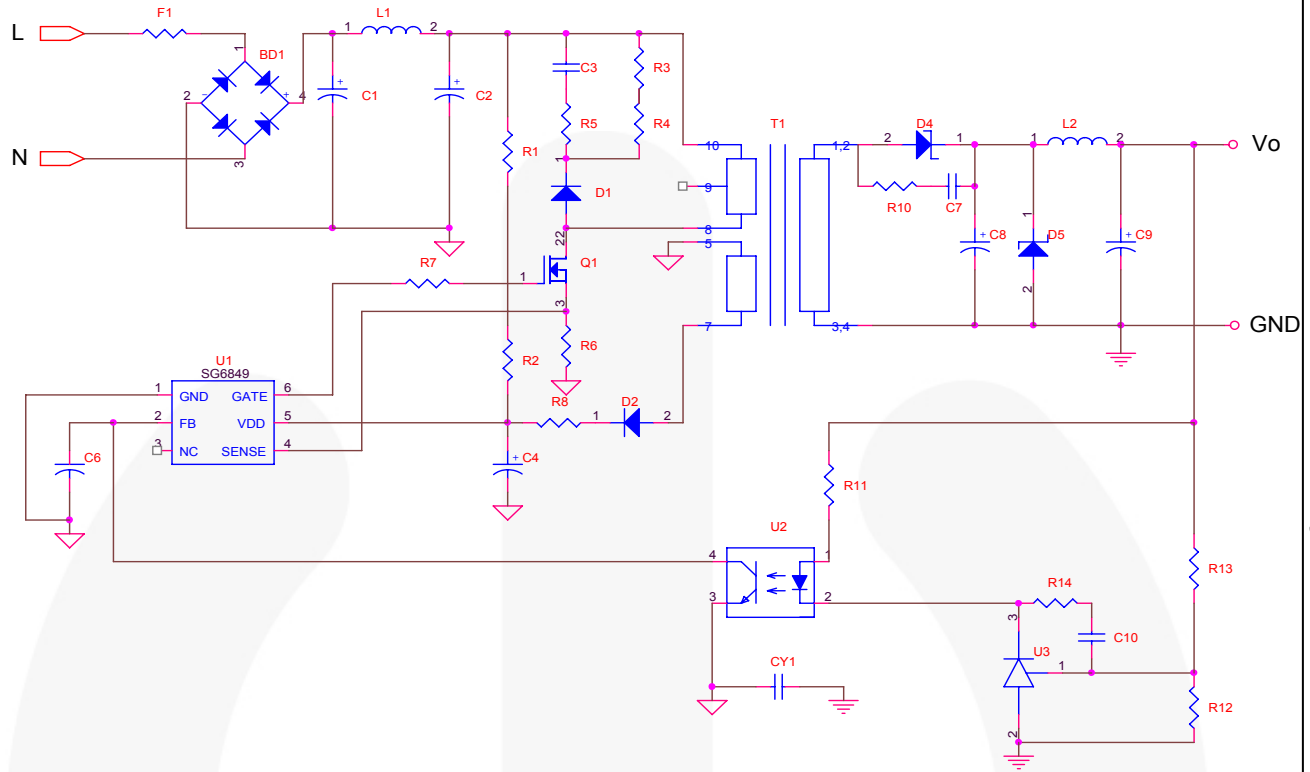
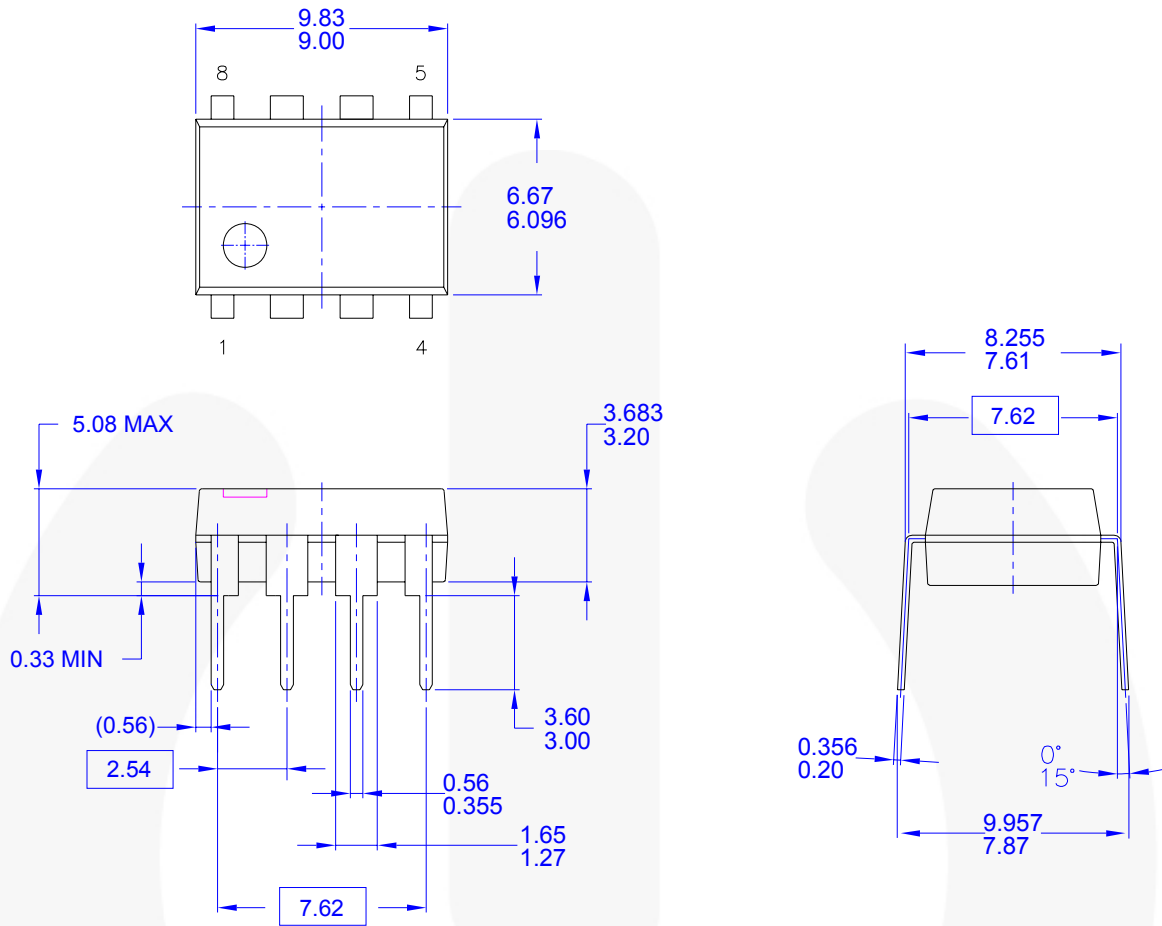


Figure 21. Reference Circuit (with Secondary-Side Feedback)

BOM

| Reference | Component | Reference | Component |
|--------------|-------------------------------------|-----------|--------------------------|
| BD1 | BD DI106 1A/600V | L2 | Inductor 10 μ H 6mm |
| CY1 (Option) | YC 102p/400V | Q1 | MOSFET 1A/600V |
| C1 | CC 0.01 μ F/500V | R1,R2 | R 750k Ω /1206 |
| C2 | EC 10 μ F/400V 105 $^{\circ}$ C | R4,R3 | R 47k Ω /1206 |
| C3 | CC 1000p/500V | R5 | R 47 Ω /1206 |
| C4 | EC 10 μ F50V | R6 | R 4.7 Ω /0.5W |
| C6 | CC 472p/0805 | R7 | R 100 Ω /0805 |
| C7 | CC 102p/100V 1206 | R10 | R 10 Ω /1206 |
| C8 | EC 470 μ F10V 105 $^{\circ}$ C | R8 | R 10 Ω /1206 |
| C9 | EC 470 μ F10V 105 $^{\circ}$ C | R11 | R 100 Ω /1/8W |
| C10 | CC 222p/0805 | R12 | R 33k Ω /0805 |
| D1 | Diode FR107 | R13 | R 33k Ω /1/8W |
| D2 | Diode FR102 | R14 | R 4.7k Ω /0805 |
| D4 | Diode SB360 | T1 | Transformer EE-16 |
| D5 (Option) | ZD 6.8V/0.5W | U1 | IC SG6849 (Green PWM IC) |
| F1 | R 1 Ω /0.5W Resistor | U2 | IC PC817 |
| L1 | Inductor 20mH 6*8mm | U3 | IC TL431 |

Physical Dimensions



- NOTES: UNLESS OTHERWISE SPECIFIED
- A) THIS PACKAGE CONFORMS TO JEDEC MS-001 VARIATION BA
 - B) ALL DIMENSIONS ARE IN MILLIMETERS.
 - C) DIMENSIONS ARE EXCLUSIVE OF BURRS, MOLD FLASH, AND TIE BAR EXTRUSIONS.
 - D) DIMENSIONS AND TOLERANCES PER ASME Y14.5M-1994
 - E) DRAWING FILENAME AND REVISION: MKT-N08FREV2.

Figure 22. 8-Pin Dual In-Line (DIP) Package

Package drawings are provided as a service to customers considering Fairchild components. Drawings may change in any manner without notice. Please note the revision and/or date on the drawing and contact a Fairchild Semiconductor representative to verify or obtain the most recent revision. Package specifications do not expand the terms of Fairchild's worldwide terms and conditions, specifically the warranty therein, which covers Fairchild products.

Always visit Fairchild Semiconductor's online packaging area for the most recent package drawings:
<http://www.fairchildsemi.com/packaging/>.

Physical Dimensions (Continued)

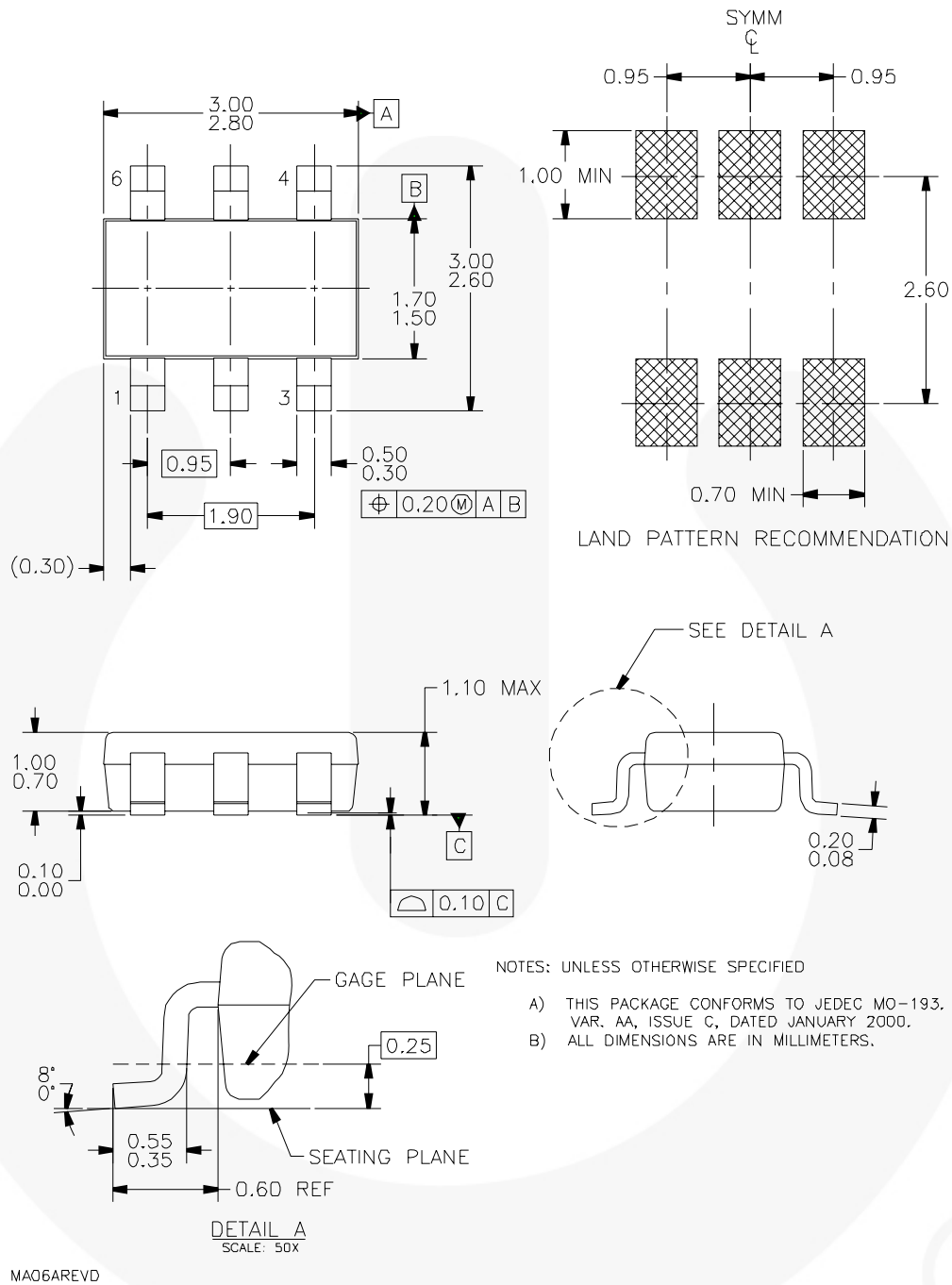


Figure 23. 6-Pin SSOT-6 Package

Package drawings are provided as a service to customers considering Fairchild components. Drawings may change in any manner without notice. Please note the revision and/or date on the drawing and contact a Fairchild Semiconductor representative to verify or obtain the most recent revision. Package specifications do not expand the terms of Fairchild's worldwide terms and conditions, specifically the warranty therein, which covers Fairchild products.

Always visit Fairchild Semiconductor's online packaging area for the most recent package drawings:
<http://www.fairchildsemi.com/packaging/>.



TRADEMARKS

The following includes registered and unregistered trademarks and service marks, owned by Fairchild Semiconductor and/or its global subsidiaries, and is not intended to be an exhaustive list of all such trademarks.

- | | | | |
|--------------------------|-------------------------------------|---------------------------------------|--|
| Build it Now™ | FRFET® | Programmable Active Droop™ | |
| CorePLUS™ | Global Power Resource SM | QFET® | |
| CorePOWER™ | Green FPST™ | QST™ | |
| CROSSVOLT™ | Green FPST™ e-Series™ | Quiet Series™ | |
| CTL™ | GTO™ | RapidConfigure™ | |
| Current Transfer Logic™ | IntelliMAX™ | ™ | |
| EcoSPARK® | ISOPANAR™ | Saving our world, 1mW/W/kW at a time™ | |
| EfficientMax™ | MegaBuck™ | SmartMax™ | |
| EZSWITCH™ * | MICROCOUPLER™ | SMART START™ | |
| ™ | MicroFET™ | SPM® | |
| ™ | MicroPak™ | STEALTH™ | |
| Fairchild® | MillerDrive™ | SuperFET™ | |
| Fairchild Semiconductor® | MotionMax™ | SuperSOT™.3 | |
| FACT Quiet Series™ | Motion-SPM™ | SuperSOT™.6 | |
| FACT® | OPTOLOGIC® | SuperSOT™.8 | |
| FACT® | OPTOPLANAR® | SupreMOS™ | |
| FastvCore™ | ™ | SyncFET™ | |
| FlashWriter® * | PDP SPM™ | ™ | |
| FPST™ | Power-SPM™ | The Power Franchise® | |
| F-PFST™ | PowerTrench® | | |
| | PowerXS™ | | |

* EZSWITCH™ and FlashWriter® are trademarks of System General Corporation, used under license by Fairchild Semiconductor.

DISCLAIMER

FAIRCHILD SEMICONDUCTOR RESERVES THE RIGHT TO MAKE CHANGES WITHOUT FURTHER NOTICE TO ANY PRODUCTS HEREIN TO IMPROVE RELIABILITY, FUNCTION, OR DESIGN. FAIRCHILD DOES NOT ASSUME ANY LIABILITY ARISING OUT OF THE APPLICATION OR USE OF ANY PRODUCT OR CIRCUIT DESCRIBED HEREIN; NEITHER DOES IT CONVEY ANY LICENSE UNDER ITS PATENT RIGHTS, NOR THE RIGHTS OF OTHERS. THESE SPECIFICATIONS DO NOT EXPAND THE TERMS OF FAIRCHILD'S WORLDWIDE TERMS AND CONDITIONS, SPECIFICALLY THE WARRANTY THEREIN, WHICH COVERS THESE PRODUCTS.

LIFE SUPPORT POLICY

FAIRCHILD'S PRODUCTS ARE NOT AUTHORIZED FOR USE AS CRITICAL COMPONENTS IN LIFE SUPPORT DEVICES OR SYSTEMS WITHOUT THE EXPRESS WRITTEN APPROVAL OF FAIRCHILD SEMICONDUCTOR CORPORATION.

As used herein:

1. Life support devices or systems are devices or systems which, (a) are intended for surgical implant into the body or (b) support or sustain life, and (c) whose failure to perform when properly used in accordance with instructions for use provided in the labeling, can be reasonably expected to result in a significant injury of the user.
2. A critical component in any component of a life support, device, or system whose failure to perform can be reasonably expected to cause the failure of the life support device or system, or to affect its safety or effectiveness.

ANTI-COUNTERFEITING POLICY

Fairchild Semiconductor Corporation's Anti-Counterfeiting Policy. Fairchild's Anti-Counterfeiting Policy is also stated on our external website, www.fairchildsemi.com, under Sales Support.

Counterfeiting of semiconductor parts is a growing problem in the industry. All manufacturers of semiconductor products are experiencing counterfeiting of their parts. Customers who inadvertently purchase counterfeit parts experience many problems such as loss of brand reputation, substandard performance, failed applications, and increased cost of production and manufacturing delays. Fairchild is taking strong measures to protect ourselves and our customers from the proliferation of counterfeit parts. Fairchild strongly encourages customers to purchase Fairchild parts either directly from Fairchild or from Authorized Fairchild Distributors who are listed by country on our web page cited above. Products customers buy either from Fairchild directly or from Authorized Fairchild Distributors are genuine parts, have full traceability, meet Fairchild's quality standards for handling and storage and provide access to Fairchild's full range of up-to-date technical and product information. Fairchild and our Authorized Distributors will stand behind all warranties and will appropriately address any warranty issues that may arise. Fairchild will not provide any warranty coverage or other assistance for parts bought from Unauthorized Sources. Fairchild is committed to combat this global problem and encourage our customers to do their part in stopping this practice by buying direct or from authorized distributors.

PRODUCT STATUS DEFINITIONS

Definition of Terms

| Datasheet Identification | Product Status | Definition |
|--------------------------|-----------------------|---|
| Advance Information | Formative / In Design | Datasheet contains the design specifications for product development. Specifications may change in any manner without notice. |
| Preliminary | First Production | Datasheet contains preliminary data; supplementary data will be published at a later date. Fairchild Semiconductor reserves the right to make changes at any time without notice to improve design. |
| No Identification Needed | Full Production | Datasheet contains final specifications. Fairchild Semiconductor reserves the right to make changes at any time without notice to improve the design. |
| Obsolete | Not In Production | Datasheet contains specifications on a product that is discontinued by Fairchild Semiconductor. The datasheet is for reference information only. |

Rev. 137

Mouser Electronics

Authorized Distributor

Click to View Pricing, Inventory, Delivery & Lifecycle Information:

[Fairchild Semiconductor:](#)

[SG684965DY](#) [SG684965DZ](#)