

### GENERAL DESCRIPTION

The PT4101 is a step-up DC/DC converter designed for driving up to 5 white LEDs in series from a single cell Lithium Ion battery with constant current. Because it directly regulates output current, the PT4101 is ideal for driving light emitting diodes (LEDs) whose light intensity is proportional to the current passing through them, not the voltage across their terminals. A single external resistor sets LED current between 2mA and 20mA, which can then be easily adjusted using either a DC voltage or a pulse width modulated (PWM) signal up to 100KHz. Its low 104mV feedback voltage reduces power loss and improves efficiency. The OV pin monitors the output voltage and turns off the converter if an over-voltage condition is present due to an open circuit condition. The PT4101 is available in SOT23-6 packages.

### FEATURES

- Drives Up to 5 Series White LEDs from 3V
- Up to 87% Efficiency
- 1.25MHz Fixed Switching Frequency
- Low 104mV Feedback Voltage
- Open Load Shutdown
- PWM Dimming
- SOT23-6 Packages

### APPLICATIONS

- Cell Phones
- Handheld Computers and PDAs
- Digital Cameras
- Small LCD Displays

### ORDERING INFORMATION

PACKAGE	TEMPERATURE RANGE	ORDERING PART NUMBER	TRANSPORT MEDIA	MARKING
SOT23-6	-40 °C to 85 °C	PT4101B23F	Tape and Reel 3000 units	4101

### TYPICAL APPLICATIONS

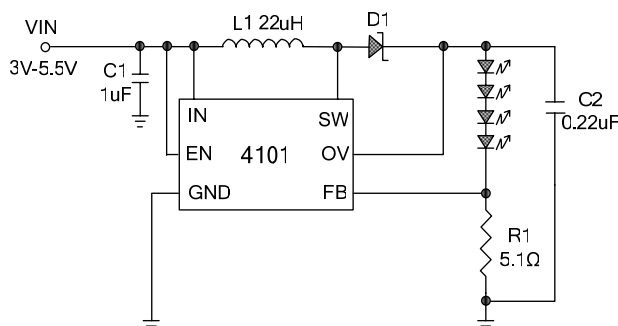


Figure 1. Li-Ion Driver for Four White LEDs

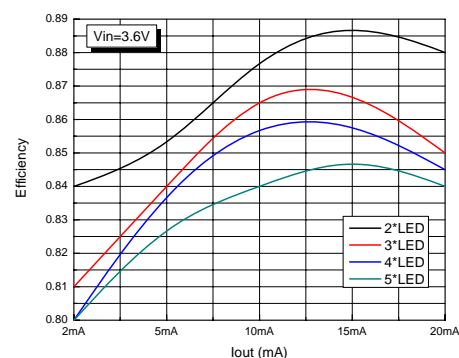
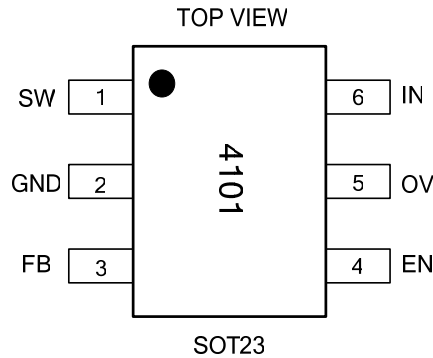


Figure 2. Efficiency vs Number of LEDs

### PIN ASSIGNMENT



### PIN DESCRIPTION

SOT Pin No.	PIN NAMES	DESCRIPTION
1	SW	Power Switch Output. Connect the inductor and the blocking Schottky diode to SW.
2	GND	Ground
3	FB	Feedback input pin. The reference voltage at this pin is 104mV. Connect the cathode of the lowest LED to FB and a current sense resistor between FB and GND.
4	EN	Enable pin. A high input at EN enables the device and a low input disables the devices. When not used, connect EN to the input source for automatic startup.
5	OV	Over Voltage Input. OV measures the output voltage for open circuit protection. Connect OV to the output at the top of the LED string.
6	IN	Input Supply Pin. Must be locally bypassed.

### ABSOLUTE MAXIMUM RATINGS (Note 1)

SYMBOL	ITEMS	VALUE	UNIT
$V_{IN}$	Input Voltage	-0.3~6	V
$V_{SW}$	Voltage at SW Pin	-0.5~25	V
$V_{IO}$	All Other I/O Pins	GND-0.3 to VDD+0.3	V
$P_{DMAX}$	Power Dissipation (Note 2)	Internally Limited	W
$P_{TR1}$	Thermal Resistance, SOT-23-6, $\theta_{JA}$	220	$^{\circ}C/W$
$T_{stg}$	Storage Temperature	-55 to 150	$^{\circ}C$
$T_{solder}$	Package Lead Soldering Temperature	260 $^{\circ}C$ , 10s	
	ESD Susceptibility (Note 3)	3	kV

### RECOMMENDED OPERATING RANGE (Note 1)

SYMBOL	ITEMS	VALUE	UNIT
$V_{IN}$	VIN Supply Voltage	3 to 5.5	V
$V_{SW}$	Output Voltage	$V_{IN}$ to 20	V
$T_{OPT}$	Operating Temperature	-40 to +85	$^{\circ}C$

## White LED Step-Up Converter

**Note 1:** Absolute Maximum Ratings indicate limits beyond which damage to the device may occur. Recommended Operating Range indicates conditions for which the device is functional, but do not guarantee specific performance limits. Electrical Characteristics state DC and AC electrical specifications under particular test conditions which guarantee specific performance limits. This assumes that the device is within the Operating Range. Specifications are not guaranteed for parameters where no limit is given, however, the typical value is a good indication of device performance.

**Note 2:** The maximum power dissipation must be derated at elevated temperatures and is dictated by  $T_{JMAX}$ ,  $\theta_{JA}$ , and the ambient temperature  $T_A$ . The maximum allowable power dissipation is  $P_{DMAX} = (T_{JMAX} - T_A) / \theta_{JA}$  or the number given in Absolute Maximum Ratings, whichever is lower.

**Note 3:** Human body model, 100pF discharged through a 1.5k $\Omega$  resistor.

### ELECTRICAL CHARACTERISTICS (Note 4, 5)

The following specifications apply for  $V_{IN} = V_{EN} = 3.6V$   $T_A = 25^\circ C$ , unless specified otherwise.

SYMBOL	ITEMS	CONDITIONS	Min.	Typ.	Max.	UNIT
$V_{IN}$	Input Voltage		3.0		5.5	V
$V_{FB}$	FB Pin Voltage	Driving 4xLED @20mA	94	104	114	mV
$I_{sw}$	SW Pin leakage Current	$V_{EN} = 0, V_{SW} = 20V$			1	$\mu A$
$I_{off}$	Operating Current (Shutdown)			0.1	1	$\mu A$
$I_{sby}$	Operating Current (Quiescent)	$V_{FB} = 0.5V$		100	350	$\mu A$
$F_{sw}$	Switching Frequency		1.0	1.25	1.5	MHz
$D_{max}$	Maximum Duty Cycle	$V_{FB} = 0V$	85	90		%
$V_{EN\_H}$	EN Minimum High Level		1.5			V
$V_{EN\_L}$	EN Maximum Low Level				0.4	V
$R_{ON}$	SW On Resistance			1.4		$\Omega$
$I_{LIMIT}$	SW Current Limit			400		mA
$V_{OV}$	Open Circuit Shutdown Threshold	$V_{OV}$ Rising		20		V

**Note 4:** Typical parameters are measured at  $25^\circ C$  and represent the parametric norm.

**Note 5:** Datasheet min/max specification limits are guaranteed by design, test, or statistical analysis.

### SIMPLIFIED BLOCK DIAGRAM

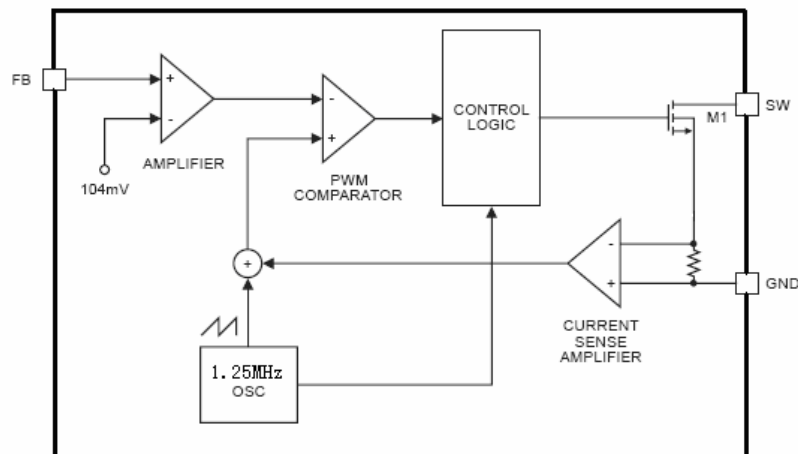


Figure 3. Simplified Block Diagram of the PT4101

### OPERATION DESCRIPTION

The PT4101 uses a constant frequency, peak current mode boost regulator architecture to regulate the series string of white LEDs. The operation of the PT4101 can be understood by referring to the simplified block diagram shown above. At the start of each oscillator cycle, the control logic turns on the power switch M1. The signal at the non-inverting input of the PWM comparator is proportional to the switch current, summed together with a portion of the oscillator ramp.

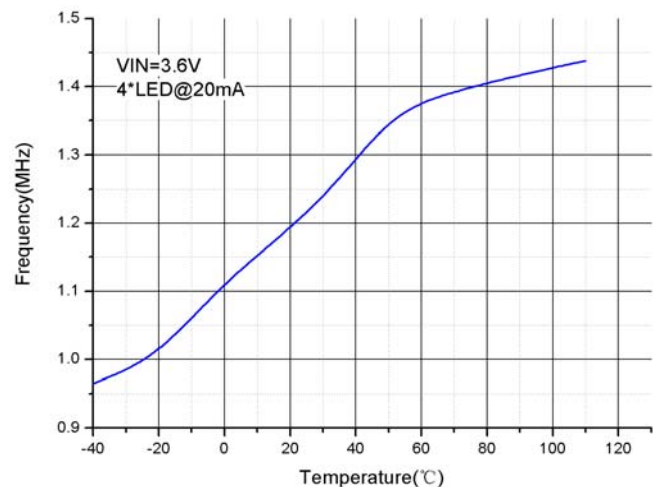
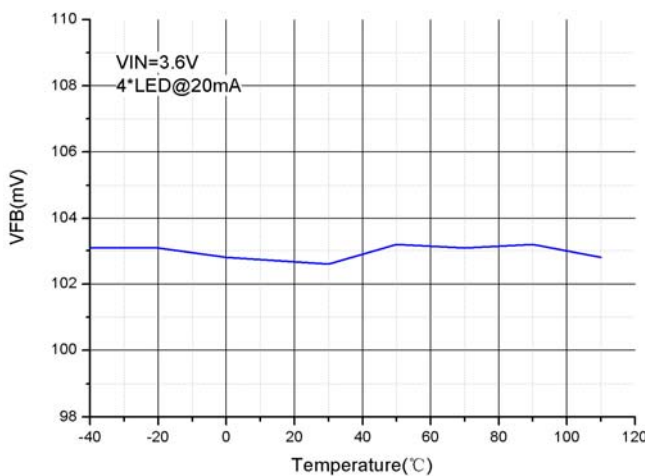
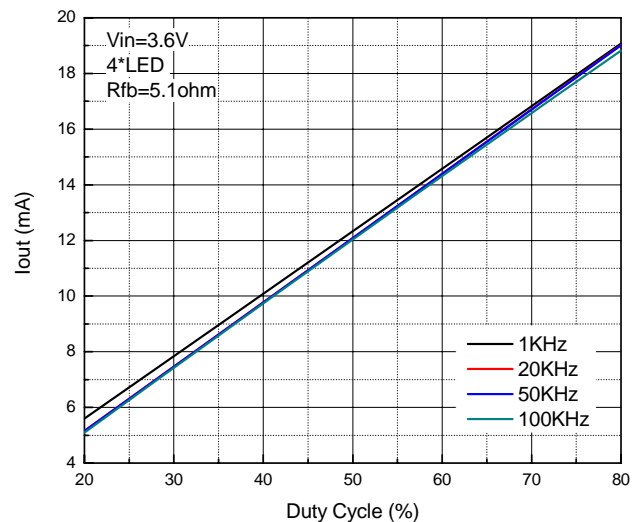
When this signal reaches the level set by the output of error amplifier, the PWM comparator resets the latch in the control logic and turns off the power switch. In this manner, error amplifier sets the correct peak current level to keep the LED current in regulation. If the feedback voltage starts to drop, the output of the error amplifier increases. This results in more current to flow through M1, hence increasing the power delivered to the output.

### TYPICAL PERFORMANCE CHARACTERISTICS

#### Driving Capability

V <sub>in</sub>	I <sub>LED</sub> =15mA	I <sub>LED</sub> =20mA
3V	5 x LED	4 x LED
3.6V	5 x LED	5 x LED
5V	5 x LED	5 x LED

#### Dimming Control using PWM signal to EN pin



### APPLICATION INFORMATION

#### ● Inductor Selections

For most of the applications of the PT4101, it is recommended to use an inductor of 22uH. Although small size is one of the major factors in selecting an inductor, the smaller and thinner inductors give higher core losses at 1.25MHz and DRC, resulting in lower efficiencies. The following table provides a list of recommended inductors:

PART NUMBER	DCR (Ω)	CURRENT RATING (mA)	MANUFACTURER
LQH3C220	0.71	250	MURATA
CDRH3D16-220	0.53	350	SUMIDA
LB2012B220M	1.7	75	TAIYO YUDEN
LEM2520-220	5.5	125	TAIYO YUDEN
EJPC220KF	4.0	160	PANASONIC

#### ● Capacitor Selection

The small size of ceramic capacitors makes them ideal for PT4101 applications. X5R and X7R types are recommended because they retain their capacitance over wider voltage and temperature ranges than other types such as Y5V or Z5U. A 1μF input capacitor and a 0.22 μF output capacitor are sufficient for most PT4101 applications.

#### ● Diodes Selection

Schottky diodes, with their low forward voltage drop and fast reverse recovery, are the ideal choices for PT4101 applications. The forward voltage drop of a Schottky diode represents the conduction losses in the diode, while the diode capacitance ( $C_T$  or  $C_D$ ) represents the switching losses. For diode selection, both forward voltage drop and diode capacitance need to be considered. Schottky diodes with higher current ratings usually have lower forward voltage drop and larger diode capacitance, which can cause significant switching losses at the 1.25MHz switching frequency of the PT4101. A Schottky diode rated at 100mA to 200mA is sufficient for most PT4101 applications. Some recommended Schottky diodes are listed in the following table:

PART NUMBER	FORWARD CURRENT (mA)	VOLTAGE DROP (V)	DIODE CAPACITANCE (pF)	MANUFACTURER
CMDSH-3	100	0.58@100mA	7.0@10V	Central
CMDSH2-3	200	0.49@200mA	15@10v	Central
BAT54	200	0.53@100mA	10@25v	Zetex

#### ● LED Current Control

The LED current is controlled by the feedback resistor. The feedback reference is 104mV. The LED current is  $104mV/R_{fb}$ . In order to have accurate LED current, precision resistors are preferred (1% is recommended). The formula and table for  $R_{FB}$  selection are shown below

$$R_{FB} = 104mV/I_{LED}$$

$I_{LED}$ (mA)	$R_{FB}$ Value (Ω)
5	20.8
10	10.4
15	6.93
20	5.1

- **Open Circuit Protection**

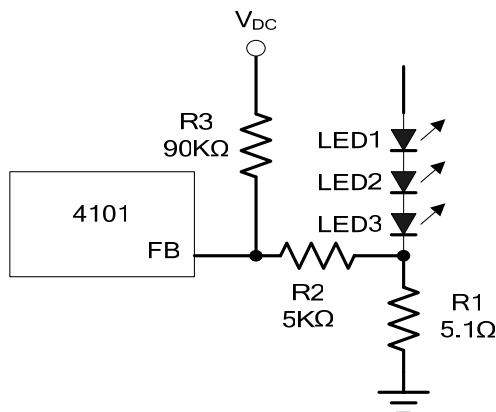
Open circuit protection will shut off the PT4101 if the output voltage goes too high when the OV pin is tied to the output. In some cases an LED may fail, which will result in the feedback voltage always being zero. The PT4101 will then switch at its maximum duty cycle boosting the output voltage higher and higher. By connecting the OV pin to the top of the LED string the PT4101 checks this condition and if the output ever exceeds 20V, the PT4101 will shut down. The part will not switch again until the power is recycled.

- **Dimming Control**

There are three different types of dimming control circuits:

### 1. Using a DC Voltage

For some applications, the preferred method of brightness control is a variable DC voltage to adjust the LED current. The dimming control using a DC voltage is shown in Figure 3. As the DC voltage increases, the voltage drop on R2 increases and the voltage drop on R1 decreases. Thus, the LED current decreases. The selection of R2 and R3 will make the current from the variable DC source much smaller than the LED current and much larger than the FB pin bias current.

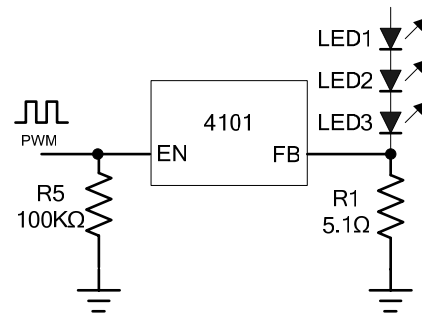


**Figure 4. Dimming Control Using a DC Voltage**

### 2. Using a PWM Signal to EN Pin

With the PWM signal applied to the EN pin, the PT4101 is turned on or off by the PWM signal. The LEDs operate at either zero or full current. The average LED current increases proportionally with the duty cycle of the PWM signal. A 0% duty cycle corresponds to zero LED current. A 100% duty cycle corresponds to full current. The frequency range of the PWM signal

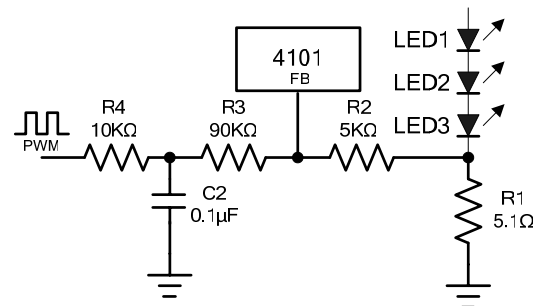
should be up to 100KHz.



**Figure 5. Dimming Control Using a PWM Signal**

### 3. Using a Filtered PWM Signal

The filtered PWM signal can be considered as an adjustable DC voltage. It can be used to replace the variable DC voltage source in dimming control. The circuit is shown in Figure 5.



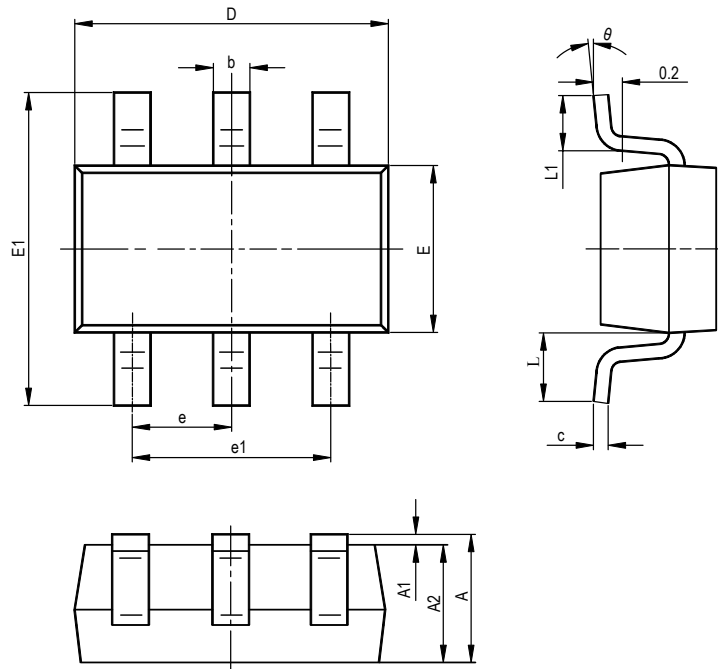
**Figure 6. Dimming Control Using a Filtered PWM Signal**

- **Board Layout Consideration**

As with all switching regulators, careful attention must be paid to the PCB board layout and component placement. To maximize efficiency, switch rise and fall times are made as short as possible. To prevent electromagnetic interference (EMI) problems, proper layout of the high frequency switching path is essential. The voltage signal of the SW pin has sharp rise and fall edges. Minimize the length and area of all traces connected to the SW pin and always use a ground plane under the switching regulator to minimize interplane coupling. In addition, the ground connection for the feedback resistor R1 should be tied directly to the GND pin and not shared with any other component, ensuring a clean, noise-free connection.

### PACKAGE INFORMATION

### SOT23-6



SYMBOL	MILLIMETERS		INCHES	
	MIN	MAX	MIN	MAX
A	1.050	1.250	0.041	0.049
A1	0.000	0.100	0.000	0.004
A2	1.050	1.150	0.041	0.045
b	0.300	0.400	0.012	0.016
c	0.100	0.200	0.004	0.008
D	2.820	3.020	0.111	0.119
E	1.500	1.700	0.059	0.067
E1	2.650	2.950	0.104	0.116
e	0.950TYP		0.037TYP	
e1	1.800	2.000	0.071	0.079
L	0.700REF		0.028REF	
L1	0.300	0.600	0.012	0.024
theta	0°	8°	0°	8°