

LDO Regulators with Voltage Detector

500 mA Output LDO Regulator with Voltage Detector

BD4275FP2-C BD4275FPJ-C

General Description

BD4275FP2-C and BD4275FPJ-C are automotive suited voltage regulator with 1ch Reset and offers the output current of 500mA while limiting the low quiescent current. These regulators are therefore ideal for applications requiring a direct connection to the battery and a low current consumption. A reset signal is generated for an output voltage VO of Typ 4.62 V. The reset delay time can be programmed by the external capacitor.

Features

- Low ESR ceramic capacitors applicable for output.
- Low drop voltage: PDMOS output transistor
- Power on and under-voltage reset
- Programmable reset delay time by external capacitor.

Applications

- Onboard vehicle device (body-control, car stereos, satellite navigation system, etc)

Key Specifications

- Qualified for Automotive Applications
- Input Voltage Range: -0.3 V to +45 V
- Low Quiescent Current: 65 μ A (Typ)
- Output Load Current: 500 mA
- Output Voltage: 5.0 V \pm 2 %
- Reset Detect Voltage Accuracy: 4.62 V \pm 2.5 %
- Over Current Protection (OCP)
- Thermal Shut Down (TSD)
- AEC-Q100 qualified.

Package

- FP2: TO263-5F W (Typ) \times D (Typ) \times H (Max)
10.16 mm \times 15.10 mm \times 4.70 mm



- FPJ: TO252-J5F 6.60 mm \times 10.10 mm \times 2.38 mm



Figure 1. Package Outlook

Typical Application Circuit

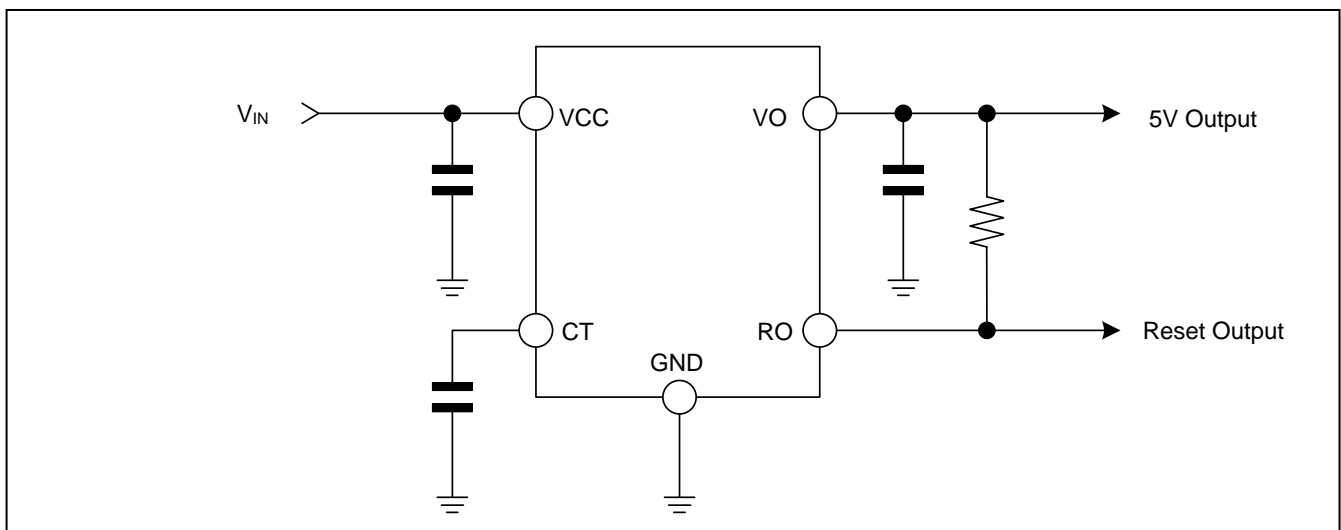


Figure 2. Typical Application Circuit

○Product structure : Silicon monolithic integrated circuit ○This product is not designed protection against radioactive rays

Pin Configurations

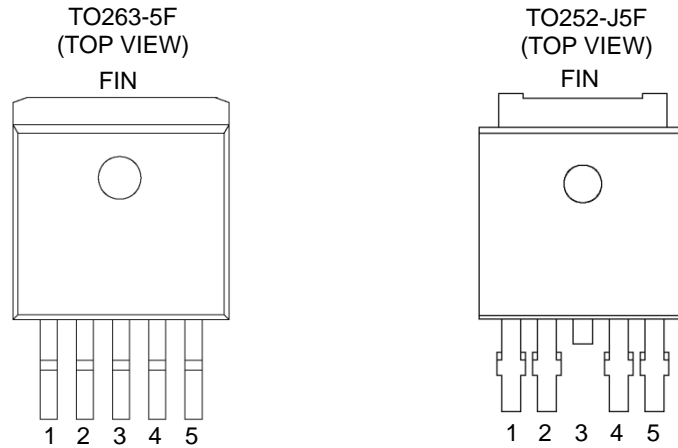


Figure 3. Pin configurations

Pin Descriptions

Pin No.	Pin Name	Function
1	VCC	Supply Voltage Input
2	RO	Reset Output; Open-Collector output.
3	GND	Ground; Pin3 internally connected to FIN.
4	CT	Reset Delay; connect capacitor to GND for setting delay time.
5	VO	5 V Output;
FIN	FIN	FIN; FIN internally connected to Pin3.

Block Diagram

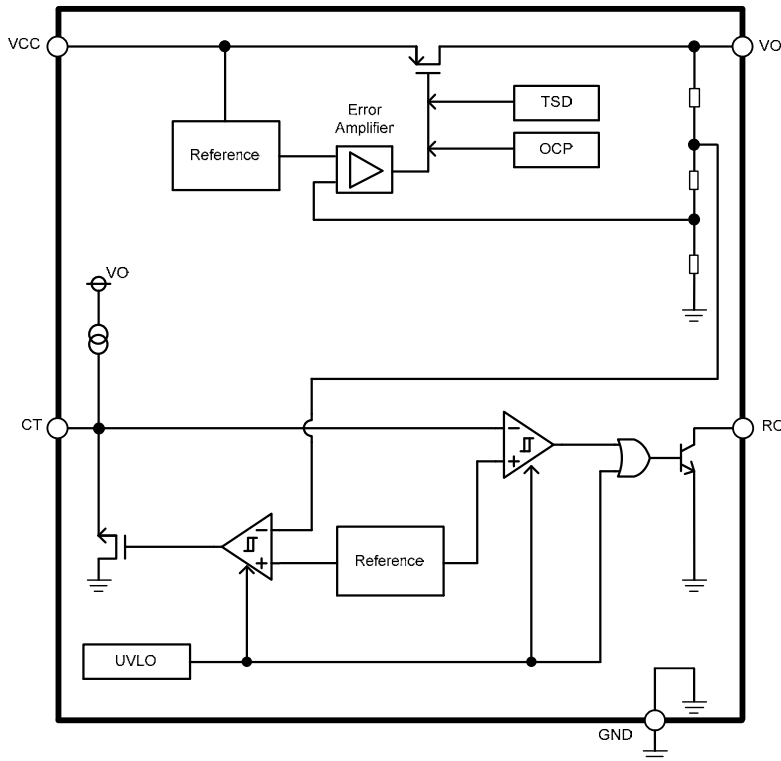


Figure 4. Block Diagram

Block Descriptions

Block Name	Function	Description of Blocks
Reference	Reference voltage	The Reference generates the Reference Voltage.
Error Amplifier	Error amplifier	The Error Amplifier amplifies the difference between the feed back voltage of the output voltage and the reference voltage.
TSD	Thermal shutdown protection	The TSD protects the device from overheating. If the chip temperature (Tj) reaches ca. 175 °C (Typ), the output is turned off.
OCP	Over current protection	The OCP protects the device from damage caused by over current.
UVLO	Under voltage lock out	The UVLO prevents malfunction of the reset block in case of very low output voltage.

Absolute Maximum Ratings

Parameter		Symbol	Limits	Unit
VCC Voltage	(1)	V_{CC}	-0.3 to +45.0	V
RO Voltage		V_{RO}	-0.3 to +18.0	V
VO Voltage		V_O	-0.3 to +7.0	V
Power Dissipation	(TO263-5F) (2)	P_d	1.9	W
	(TO252-J5F) (3)	P_d	1.3	W
Junction Temperature Range		T_j	-40 to +150	°C
Storage Temperature Range		T_{stg}	-55 to +150	°C

(1) Not to exceed P_d .

(2) Reduced by 15.2 mW / °C over $T_a = 25$ °C, when mounted on glass epoxy board: 114.3 mm × 76.2 mm × 1.6 mm.

(3) Reduced by 10.4 mW / °C over $T_a = 25$ °C, when mounted on glass epoxy board: 114.3 mm × 76.2 mm × 1.6 mm.

Recommended Operating Ratings

Parameter		Symbol	Min	Max	Unit
Supply Voltage ($I_o \leq 300$ mA)	(1)	V_{CC}	5.5	45.0	V
Supply Voltage ($I_o \leq 500$ mA)	(1)	V_{CC}	5.9	45.0	V
Start -Up Voltage		V_{CC}	3.0	—	V
Output Current		I_o	0	500	mA
Operating Ratings Temperature		T_a	-40	125	°C

(1) Not to exceed P_d .

Thermal Resistance

Parameter		Symbol	Min	Max	Unit
TO263-5F Package					
Junction to Ambient	(1)	θ_{ja}	15.6	—	°C / W
Junction to Case (bottom)	(1)	θ_{jc}	1	—	°C / W
TO252-J5F Package					
Junction to Ambient	(2)	θ_{ja}	19.2	—	°C / W
Junction to Case (bottom)	(2)	θ_{jc}	1	—	°C / W

(1) TO263-5F mounted on 114.3 mm × 76.2 mm × 1.6 mm Glass-Epoxy PCB based on JEDEC.
(4-layer PCB: Copper foil on 2 inner layers and the reverse side of PCB: 74.2 mm × 74.2 mm)

(2) TO252-J5F mounted on 114.3 mm × 76.2 mm × 1.6 mm Glass-Epoxy PCB based on JEDEC.
(4-layer PCB: Copper foil on 2 inner layers and the reverse side of PCB: 74.2 mm × 74.2 mm)

Electrical Characteristics(Unless otherwise specified , T_j = -40 °C to +150 °C, V_{CC} = 13.5 V)

Parameter	Symbol	Limits			Unit	Conditions
		Min	Typ	Max		
Circuit Current	I _{CC}	—	65	150	μA	I _O = 0 mA
Output Voltage 1	V _O	4.90	5.00	5.10	V	5 mA ≤ I _O ≤ 400 mA 6 V ≤ V _{CC} ≤ 28 V
Output Voltage 2	V _O	4.90	5.00	5.10	V	5 mA ≤ I _O ≤ 200 mA 6 V ≤ V _{CC} ≤ 40 V
Dropout Voltage	ΔV _d	—	0.25	0.5	V	V _{CC} = 4.75 V, I _O = 300 mA
Load Regulation	Reg.L	—	10	30	mV	I _O = 10 mA to 250 mA
Line Regulation	Reg.I	-15	—	15	mV	V _{CC} = 8 V to 16 V, I _O = 5 mA
Current Limit	I _{OCP}	500	—	—	mA	—
Ripple Rejection	R.R.	—	60	—	dB	f = 120 Hz, e _{in} = 1 V _{rms} , I _O = 100 mA
Thermal Shut Down Temperature	T _{TSD}	—	175	—	°C	

Electrical Characteristics (Reset Function)(Unless otherwise specified , T_j = -40 °C to +150 °C, V_{CC} = 13.5 V)

Parameter	Symbol	Limits			Unit	Conditions
		Min	Typ	Max		
Switching Threshold	V _{RT}	4.50	4.62	4.75	V	—
Switching Hysteresis	V _{RHY}	20	60	100	mV	—
Upper Delay Switching Threshold	V _{CTH}	—	1.18	—	V	—
Lower Delay Switching Threshold	V _{CTL}	—	0.25	—	V	—
Charge Current	I _{CT}	—	8.8	—	μA	V _{CT} = 0.5 V
Delay time L→H	t _{POR}	10	14	18	ms	C _{CT} = 0.1 μF ⁽¹⁾
RO L Voltage	V _{ROL}	—	—	0.4	V	RO pull-up resistor ≥ 4.7 kΩ V _O ≥ 1V

(1) T_{POR} can be varied by changing the CT capacitance value. (0.001μF to 10 μF available)

$$T_{POR} \text{ (ms)} \approx T_{POR0} \text{ (the reset delay time at } C_{CT} = 0.1 \mu\text{F}) \times C_{CT} \text{ (}\mu\text{F)} / 0.1$$

example: When C_{CT} = 1μF, 100ms ≤ T_{POR} ≤ 180 ms

CT capacitor : 0.1μF ≤ C_{CT} ≤ 10 μF

$$T_{POR} \text{ (ms)} \approx T_{POR0} \text{ (the reset delay time at } C_{CT} = 0.1 \mu\text{F}) \times C_{CT} \text{ (}\mu\text{F)} / 0.1 \pm 0.1$$

example: When C_{CT} = 0.01μF, 0.9ms ≤ T_{POR} ≤ 1.9 ms

CT capacitor : 0.001μF ≤ C_{CT} < 0.1 μF

Typical Performance Curves (Unless otherwise specified , $T_j = 25\text{ }^\circ\text{C}$, $V_{CC} = 13.5\text{ V}$)

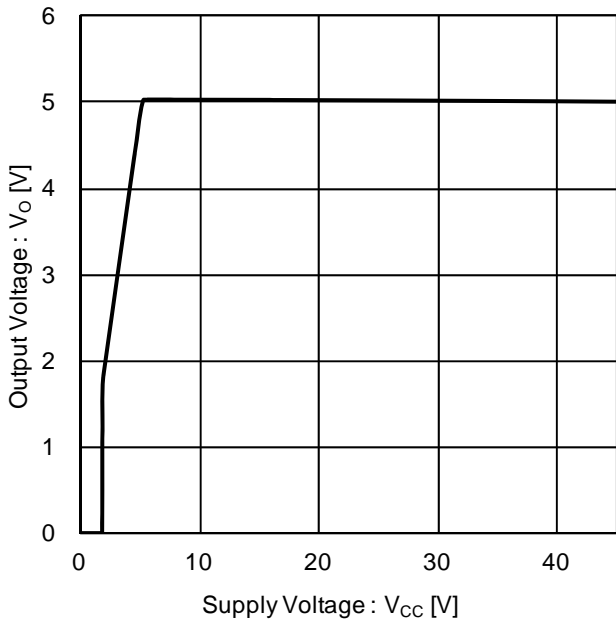


Figure 5. Output Voltage vs Supply Voltage ($R_L = 25\ \Omega$)

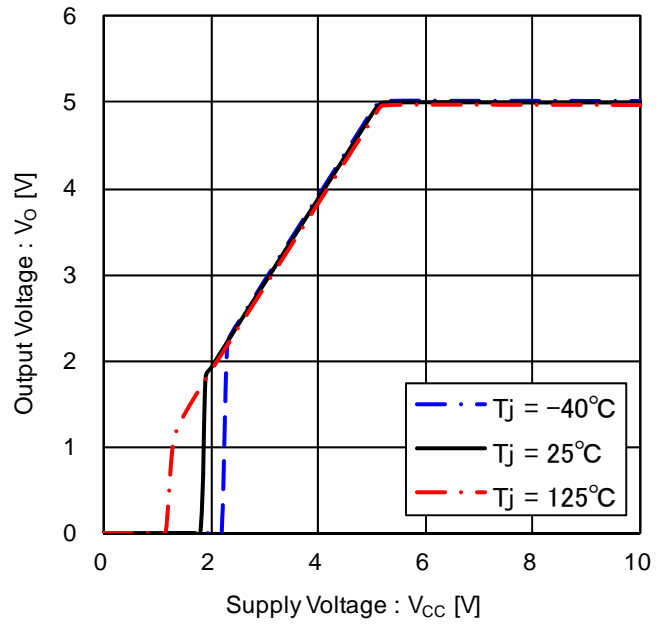


Figure 6. Output Voltage vs Supply Voltage (at Low supply voltage, $R_L = 25\ \Omega$)

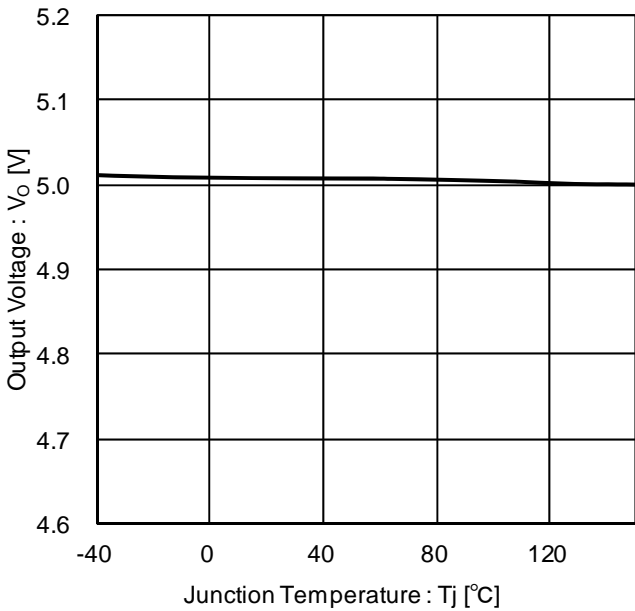


Figure 7. Output Voltage vs Temperature ($R_L = 1\text{ k}\Omega$)

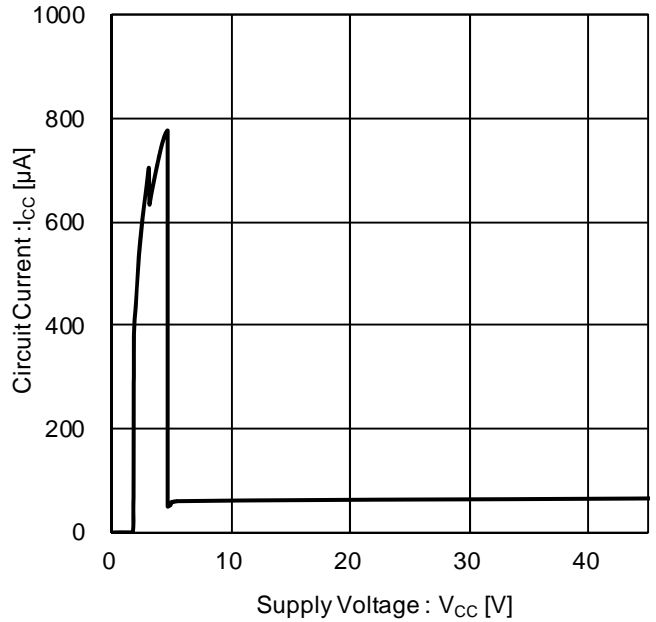


Figure 8. Circuit Current vs Supply voltage

Typical Performance Curves (Unless otherwise specified , $T_j = 25\text{ }^\circ\text{C}$, $V_{CC} = 13.5\text{ V}$) -Continue

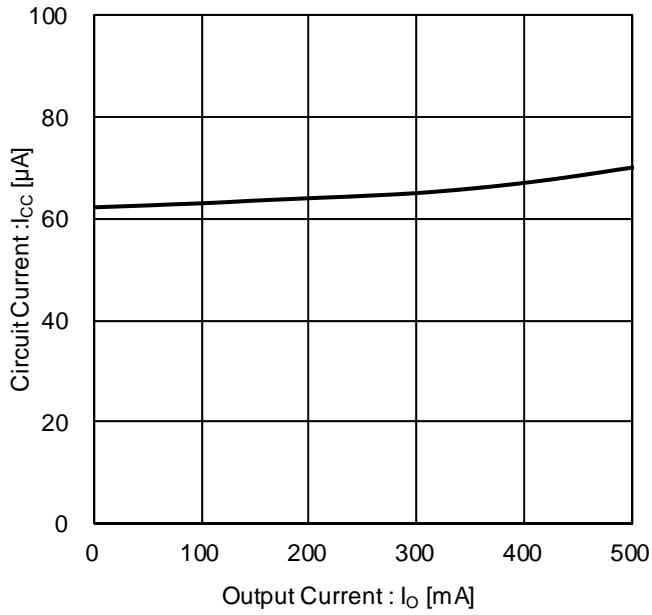


Figure 9. Circuit Current vs Output Current

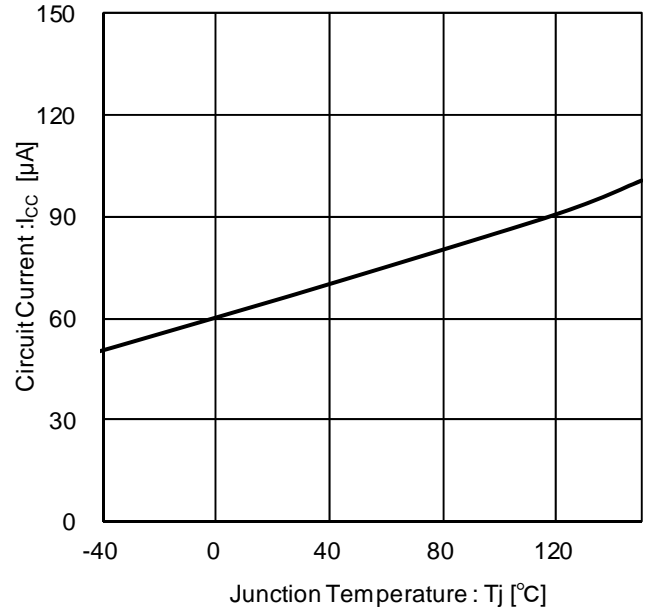


Figure 10. Circuit Current vs Temperature

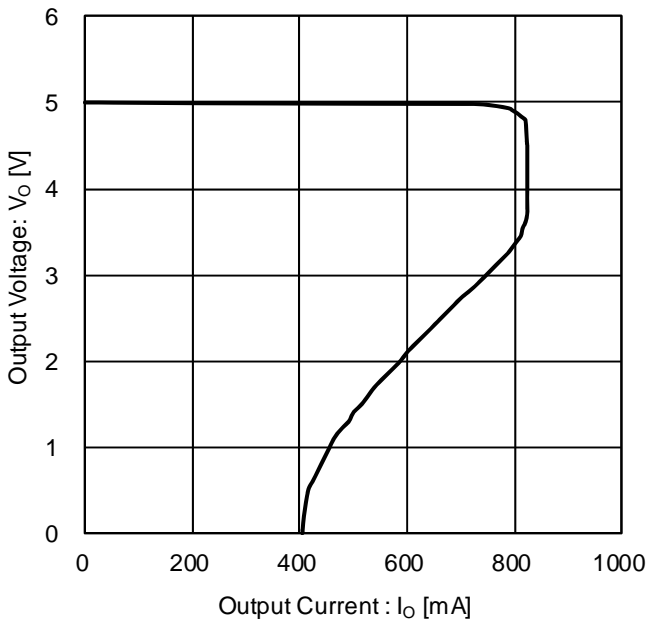


Figure 11. Output Voltage vs Output Current (Over Current Protection)

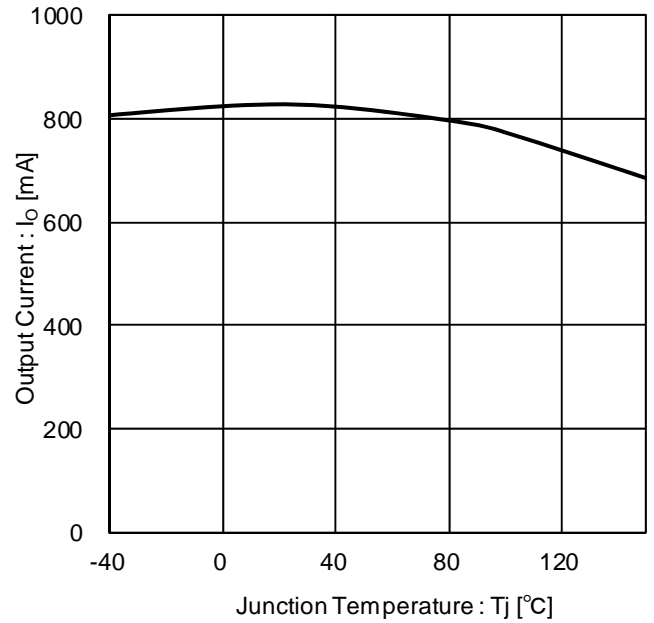


Figure 12. Output Current vs Temperature

Typical Performance Curves (Unless otherwise specified , $T_j = 25\text{ }^\circ\text{C}$, $V_{CC} = 13.5\text{ V}$) -Continue

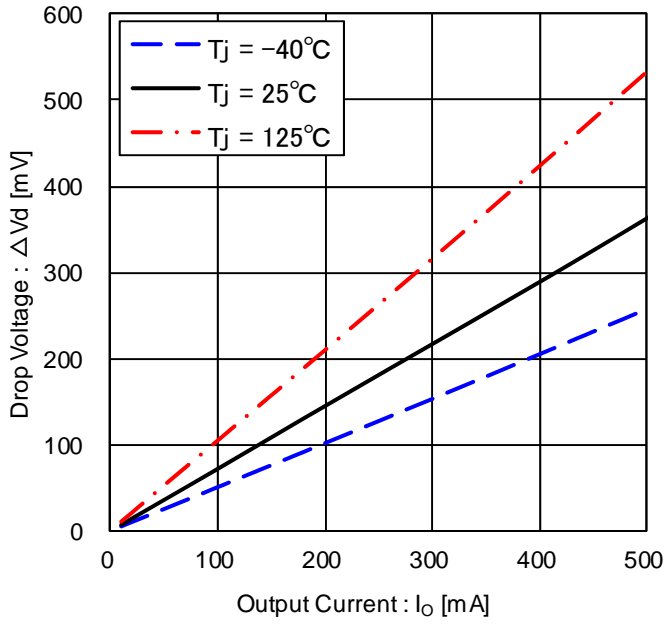


Figure 13. Drop voltage vs Output Current ($V_{CC} = 4.75\text{ V}$)

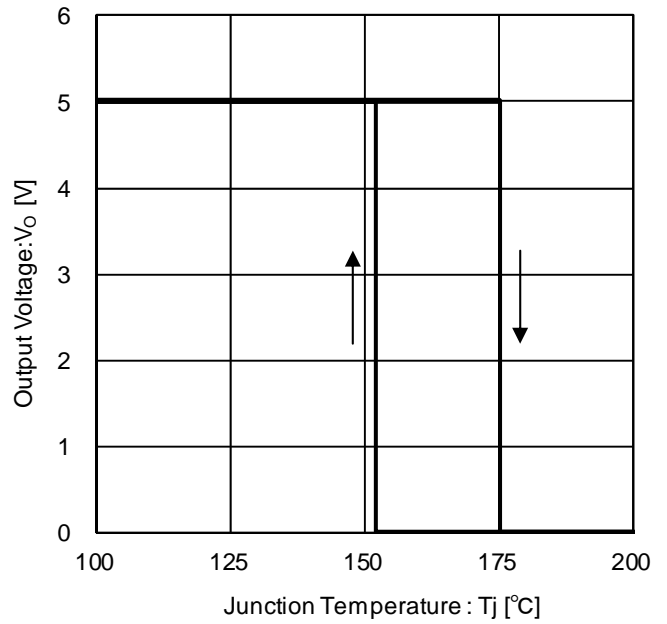


Figure 14. Output Voltage vs Temperature (Thermal Shut Down)

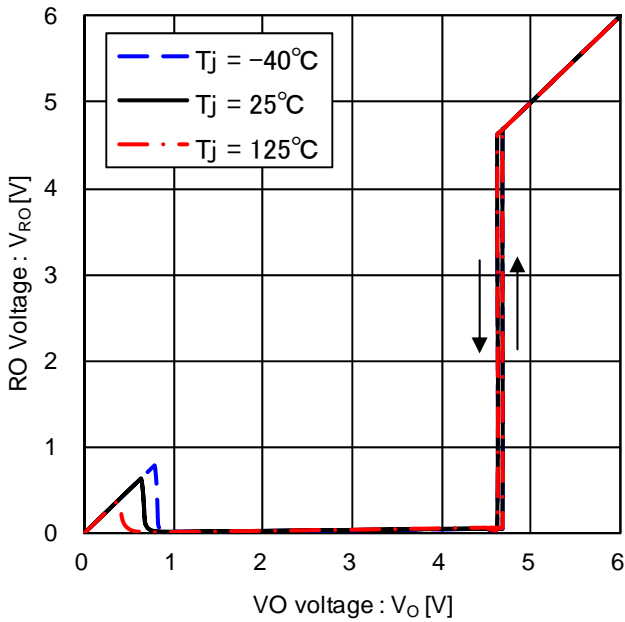


Figure 15. RO Voltage vs VO Voltage (RO: 10 kΩ pull-up to VO)

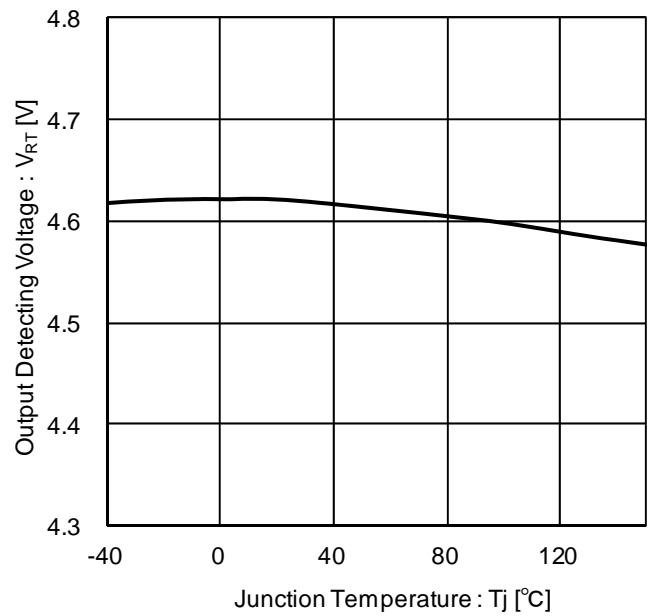


Figure 16. Output Detecting Voltage vs Temperature (RO: 10 kΩ pull-up to VO)

Typical Performance Curves (Unless otherwise specified , $T_j = 25\text{ }^\circ\text{C}$, $V_{CC} = 13.5\text{ V}$) -Continue

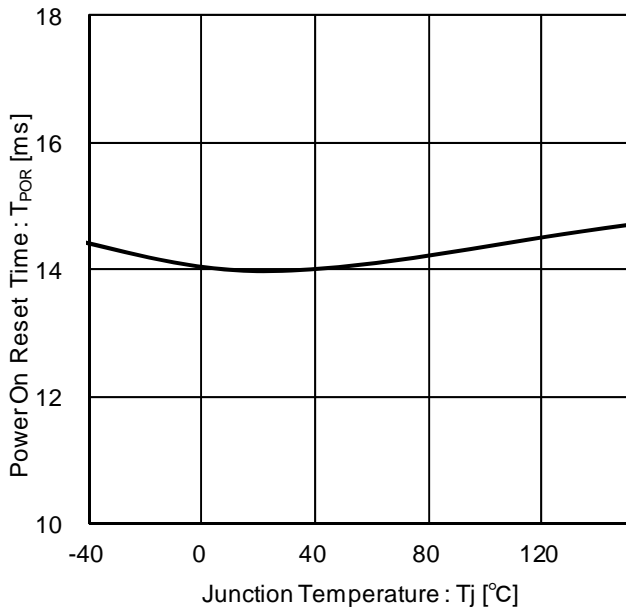


Figure 17. Power on Reset Time vs Temperature ($C_{CT} = 0.1\text{ }\mu\text{F}$)

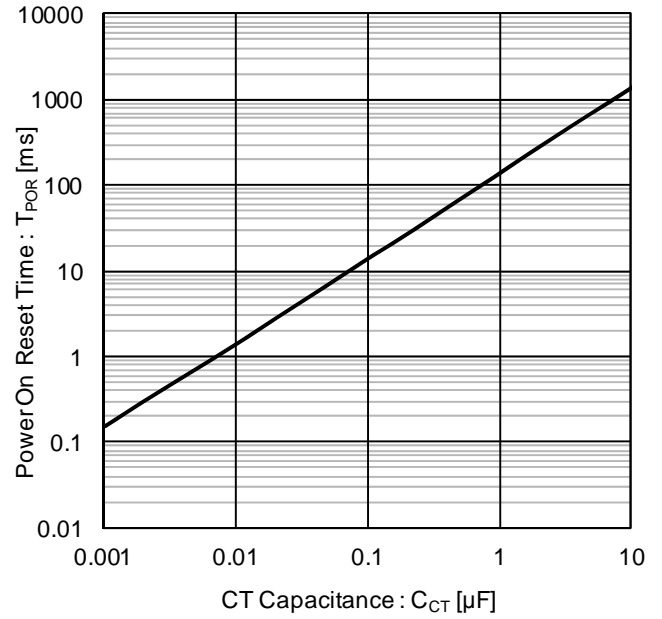
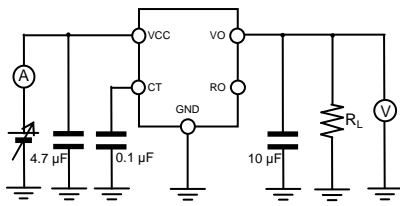
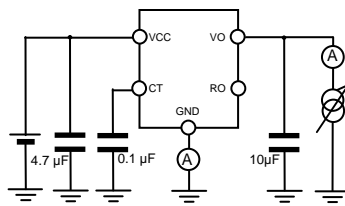


Figure 18. Power on Reset Time vs CT Capacitance

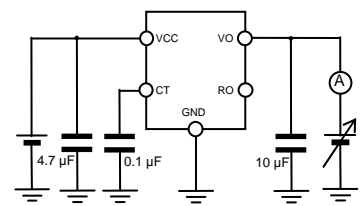
Measurement circuit for Typical Performance Curves



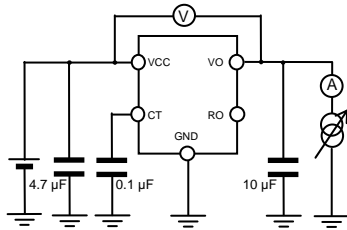
Measurement circuit for Figure.5, 6, 7, 8, 10, 14



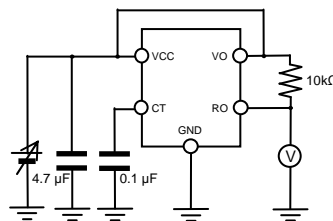
Measurement circuit for Figure.9



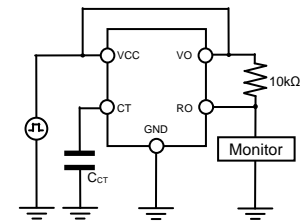
Measurement circuit for Figure.11, 12



Measurement circuit for Figure.13



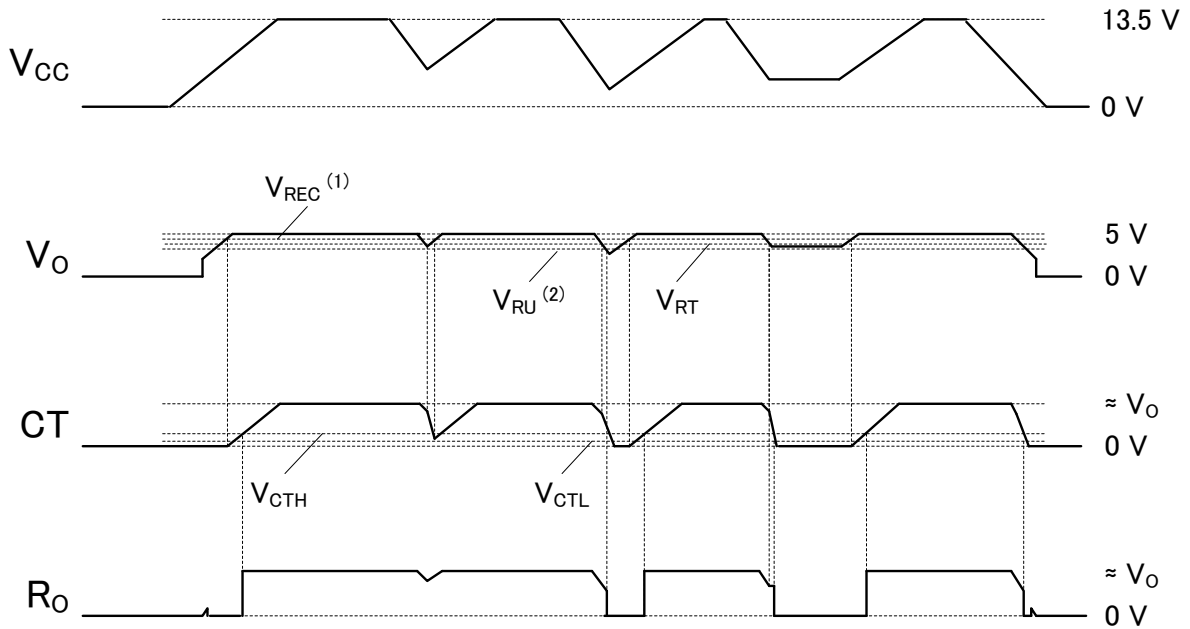
Measurement circuit for Figure.15, 16



Measurement circuit for Figure.17, 18

Figure 19. Measurement circuit for Typical Performance Curves

Timing Chart



(1) $V_{REC} = V_{RT} + V_{RHY}$
 (2) $V_{RU} = 2V \text{ to } 3.5V$

Figure 20. Timing Chart

Power Dissipation

■ TO263-5F

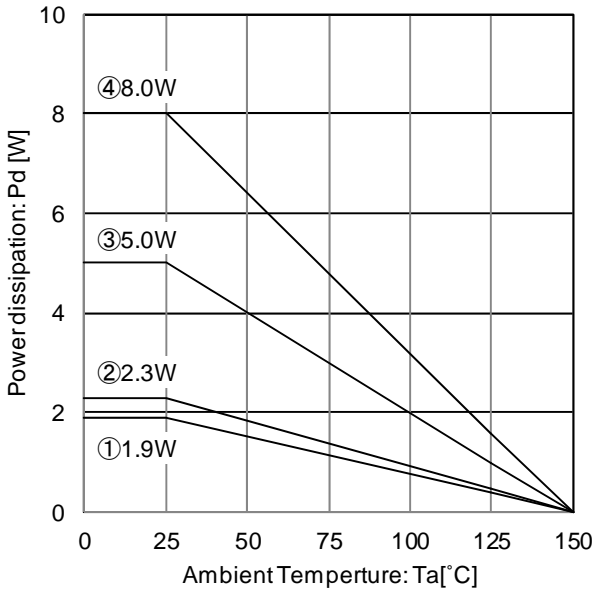


Figure 21. Package data of TO263-5F

IC mounted on ROHM standard board based on JEDEC.

Board material: FR4

Board size: 114.3 mm x 76.2 mm x 1.6 mm

(with thermal via on the board)

Mount condition: PCB and exposed pad are soldered.

Top copper foil: The footprint ROHM recommend.

+ wiring to measure.

①: 1-layer PCB

(Copper foil area on the reverse side of PCB: 0 mm x 0 mm)

②: 2-layer PCB

(Copper foil area on the reverse side of PCB: 15.0mm x 15.0 mm)

③: 2-layer PCB

(Copper foil area on the reverse side of PCB: 74.2mm x 74.2 mm)

④: 4-layer PCB

(zinner layers and copper foil area on the reverse side of PCB: 74.2mm x 74.2 mm)

■ TO252-J5F

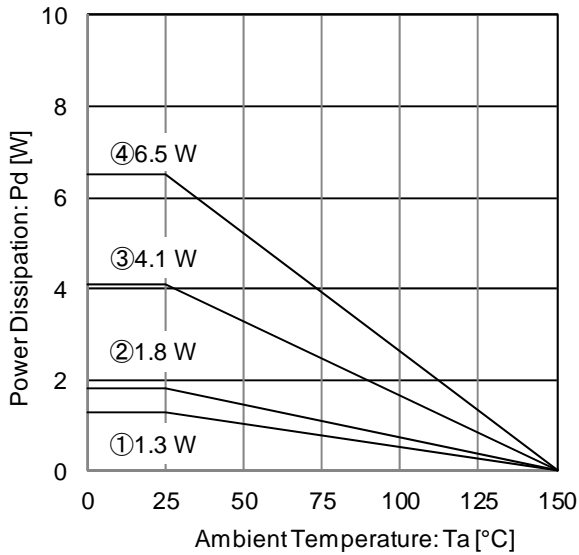


Figure 22. Package data of TO252-J5F

IC mounted on ROHM standard board based on JEDEC.

Board material: FR4

Board size: 114.3 mm x 76.2 mm x 1.6 mm

(with thermal via on the board)

Mount condition: PCB and exposed pad are soldered.

Top copper foil: The footprint ROHM recommend.

+ wiring to measure.

①: 1-layer PCB

(Copper foil area on the reverse side of PCB: 0 mm x 0 mm)

②: 2-layer PCB

(Copper foil area on the reverse side of PCB: 15.0mm x 15.0 mm)

③: 2-layer PCB

(Copper foil area on the reverse side of PCB: 74.2mm x 74.2 mm)

④: 4-layer PCB

(2 inner layers and copper foil area on the reverse side of PCB: 74.2mm x 74.2 mm)

Thermal Design

Refer to the heat mitigation characteristics illustrated in Figure 21, 22 and the power dissipation under actual operating conditions should be taken into consideration and a sufficient margin should be allowed for in the thermal design. The amount of heat generated depends on the voltage difference across the input and output, load current, and bias current. Therefore, when actually using the chip, ensure that the generated heat does not exceed the Pd rating. Even if the ambient temperature Ta is at 25 °C, it is possible that the junction temperature Tj reaches high temperatures. Keep the whole operating temperature range within Tj ≤ Tjmax.

Should by any chance the power dissipation rating be exceeded the rise in temperature of the chip may result in deterioration of the properties of the chip. The absolute maximum rating of the Pd stated in this specification is when the IC is mounted on a 114.3mm x 76.2mm x 1.6mm glass epoxy board. In case of exceeding this absolute maximum rating, increase the board size and copper area to prevent exceeding the Pd rating.

- V_{CC} : Input Voltage
- V_O : Output Voltage
- I_O : Load Current,
- I_{CC} : Circuit Current
- P_C : Power Consumption
- T_a : Ambient Temperature
- T_c : Case Temperature
- T_j : Junction Temperature
- θ_{jc} : Thermal Resistance (Junction to Case (bottom))

The following method is used to calculate the power consumption Pc (W)

$$P_c = (V_{CC} - V_O) \times I_O + V_{CC} \times I_{CC}$$

Power dissipation Pd ≥ Pc

The load current I_O is obtained by operating the IC within the power dissipation range.

$$I_O \leq \frac{Pd - V_{CC} \times I_{CC}}{V_{CC} - V_O} \quad (\text{Refer to Figure 10 for the } I_{CC}.)$$

Thus, the maximum load current I_{Omax} for the applied voltage V_{CC} can be calculated during the thermal design process.

The following method is also used to calculate the junction temperature Tj.

$$T_j = P_c \times \theta_{jc} + T_c$$

■ TO263-5F

- Calculation example : with TO263-5F package , Ta = 105 °C, V_{CC} = 13.5 V, V_O = 5.0 V, board ③ (Figure 21.)

$$I_O \leq \frac{1.8 \text{ W} - 13.5 \text{ V} \times 80 \mu\text{A}}{13.5 \text{ V} - 5 \text{ V}} \quad (I_{CC} = 80 \mu\text{A})$$

$$I_O \leq 211 \text{ mA}$$

Pd at over 25 °C is calculated by below.
 Pd = (Pd at 25 °C) × (150 - Ta) / (150 - 25)
 In case of board ③ in Figure 21, Ta = 105 °C
 Pd = 1.8 W

At Ta = 105 °C with Figure 21 ③ condition, the calculation shows that 211 mA of output current is possible at 8.5 V potential difference across input and output.

- Calculation example : with Tc (bottom) = 80 °C, V_{CC} = 13.5 V, V_O = 5.0 V, I_O = 200 mA, board ③ (Figure 21.)

Pc of the IC can be calculated as follows:

$$P_c = (V_{CC} - V_O) \times I_O + V_{CC} \times I_{CC}$$

$$P_c = (13.5 \text{ V} - 5.0 \text{ V}) \times 200 \text{ mA} + 13.5 \text{ V} \times I_{CC}$$

$$P_c = 1.7 \text{ W} \quad (I_{CC} = 80 \mu\text{A})$$

In case the power consumption Pc is 1.7 W, the junction temperature Tj can be calculated as follows:

$$T_j = P_c \times \theta_{jc} + T_c$$

$$T_j = 1.7 \text{ W} \times \theta_{jc} + 80 \text{ °C}$$

$$T_j = 81.7 \text{ °C} \quad (\theta_{jc} (\text{bottom}) = 1 \text{ °C} / \text{W} \quad \text{Refer to Page 4 Thermal Design})$$

The junction temperature is 81.7 °C, at above condition.

Selection of Components Externally Connected

- VCC pin
 Insert capacitors with a capacitance of 0.1 μF or higher between the VCC and GND pin. Choose the capacitance according to the line between the power smoothing circuit and the VCC pin. Selection of the capacitance also depends on the application. Verify the application and allow for sufficient margins in the design. We recommend using a capacitor with excellent voltage and temperature characteristics.
- Output pin capacitor
 In order to prevent oscillation, a capacitor needs to be placed between the output pin and GND pin. We recommend using a ceramic capacitor with a capacitance of 6 μF or higher. In selecting the capacitor, ensure that the capacitance of 6 μF or higher is maintained at the intended applied voltage and temperature range. For actual applications the stable operating range is influenced by the PCB impedance, input supply impedance and load impedance. Therefore verification of the final operating environment is needed.
 When selecting a ceramic type capacitor, we recommend using X5R, X7R or better with excellent temperature and DC - biasing characteristics and high voltage tolerance.
 In case the application requires large capacitance for output pin, we recommend using a capacitor with a capacitance of 13 μF or higher and ESR of 5 Ω or lower. For actual applications the stable operating range is influenced by the PCB impedance, input supply impedance and load impedance. Therefore verification of the final operating environment is needed. For the rapid fluctuation of input voltage and the load current, it is possible that output voltage fluctuates. In case this fluctuation can be problematic for the application, connect low ESR capacitor (capacitance > 6 μF , ESR < 1 Ω) in paralleled to large capacitor (not low ESR).

I/O equivalence circuits

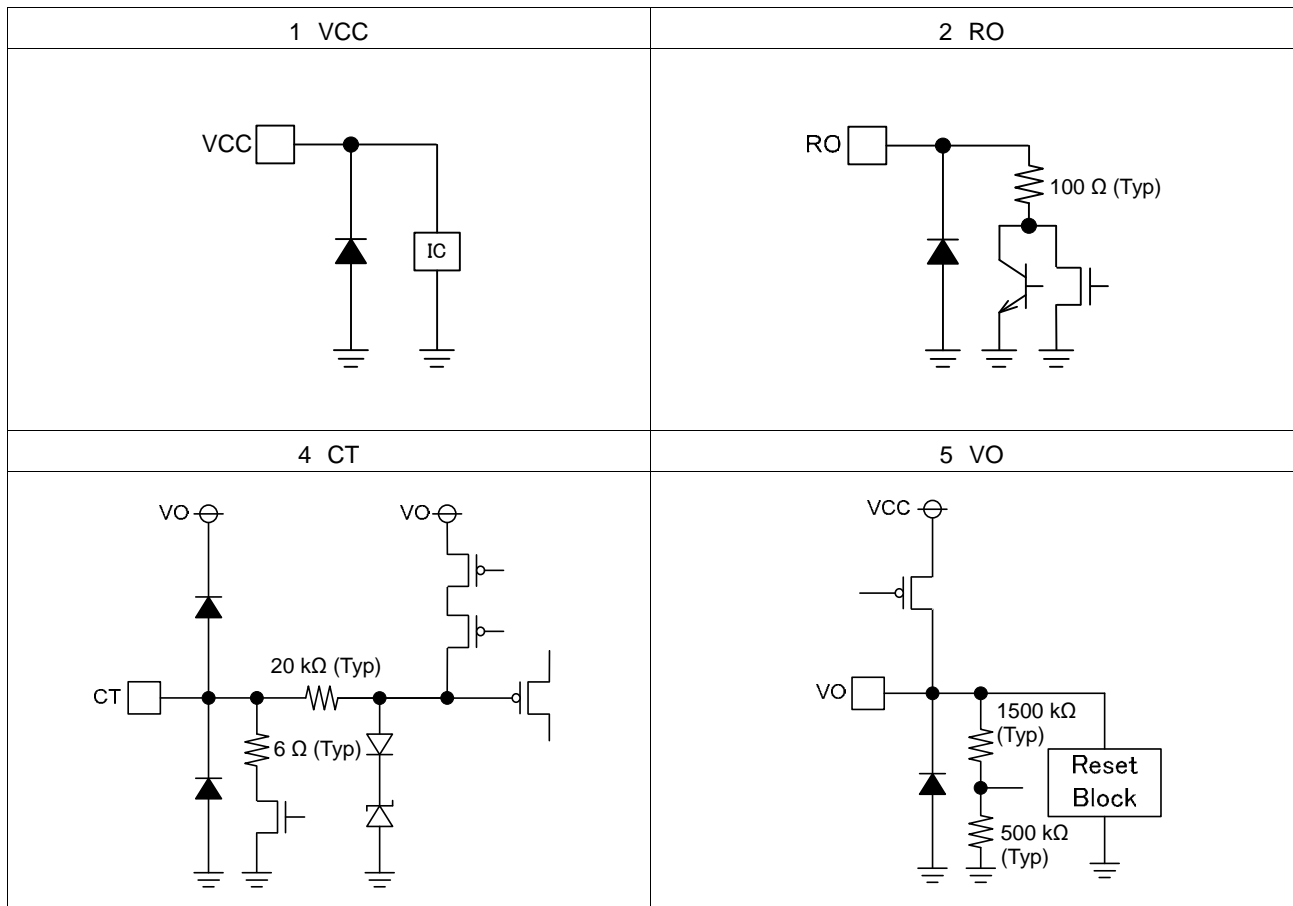


Figure 23. I / O equivalence circuits

Application Examples

- Applying positive surge to the VCC

If the possibility exists that surges higher than 45 V will be applied to the VCC, a Zener Diode should be placed between the VCC and GND as shown in the figure below.

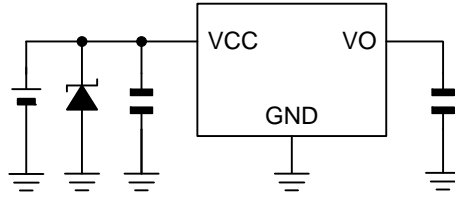


Figure 24. Application Example 1

- Applying negative surge to the VCC

If the possibility exists that negative surges lower than the GND are applied to the VCC, a Schottky Diode should be placed between the VCC and GND as shown in the figure below.

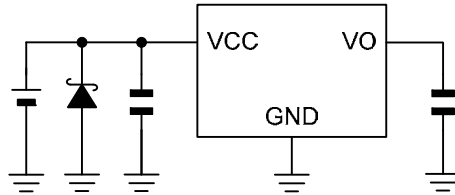


Figure 25. Application Example 2

- Implementing a Protection Diode

If the possibility exists that a large inductive load is connected to the output pin resulting in back-EMF at time of startup and shutdown, a protection diode should be placed as shown in the figure below.

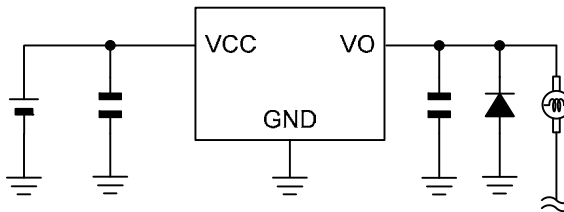


Figure 26. Application Example 3

- Reverse Polarity Diode

In some applications, the VCC and pin potential might be reversed, possibly resulting in circuit internal damage or damage to the elements. For example, while the external capacitor is charged, the A point shorts to the GND. Use a capacitor with a capacitance with less than 1000 μ F. We also recommend using reverse polarity diodes in series or a bypass between all pins and the VCC.

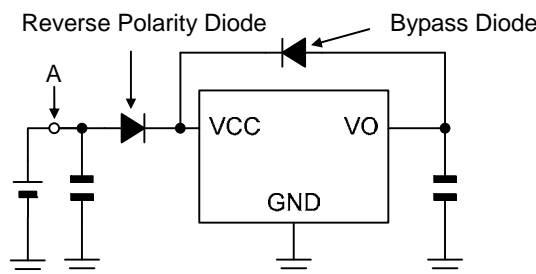


Figure 27. Application Example 4

Operational Notes

1. Reverse Connection of Power Supply

Connecting the power supply in reverse polarity can damage the IC. Take precautions against reverse polarity when connecting the power supply, such as mounting an external diode between the power supply and the IC's power supply pins.

2. Power Supply Lines

Design the PCB layout pattern to provide low impedance supply lines. Separate the ground and supply lines of the digital and analog blocks to prevent noise in the ground and supply lines of the digital block from affecting the analog block. Furthermore, connect a capacitor to ground at all power supply pins. Consider the effect of temperature and aging on the capacitance value when using electrolytic capacitors.

3. Ground Voltage

Ensure that no pins are at a voltage below that of the ground pin at any time, even during transient condition.

4. Ground Wiring Pattern

When using both small-signal and large-current ground traces, the two ground traces should be routed separately but connected to a single ground at the reference point of the application board to avoid fluctuations in the small-signal ground caused by large currents. Also ensure that the ground traces of external components do not cause variations on the ground voltage. The ground lines must be as short and thick as possible to reduce line impedance.

5. Thermal Consideration

Should by any chance the power dissipation rating be exceeded the rise in temperature of the chip may result in deterioration of the properties of the chip. The absolute maximum rating of the Pd stated in this specification is when the IC is mounted on a 70mm x 70mm x 1.6mm glass epoxy board. In case of exceeding this absolute maximum rating, increase the board size and copper area to prevent exceeding the Pd rating.

6. Recommended Operating Conditions

These conditions represent a range within which the expected characteristics of the IC can be approximately obtained. The electrical characteristics are guaranteed under the conditions of each parameter.

7. Inrush Current

When power is first supplied to the IC, it is possible that the internal logic may be unstable and inrush current may flow instantaneously due to the internal powering sequence and delays, especially if the IC has more than one power supply. Therefore, give special consideration to power coupling capacitance, power wiring, width of ground wiring, and routing of connections.

8. Testing on Application Boards

When testing the IC on an application board, connecting a capacitor directly to a low-impedance output pin may subject the IC to stress. Always discharge capacitors completely after each process or step. The IC's power supply should always be turned off completely before connecting or removing it from the test setup during the inspection process. To prevent damage from static discharge, ground the IC during assembly and use similar precautions during transport and storage.

9. Inter-pin Short and Mounting Errors

Ensure that the direction and position are correct when mounting the IC on the PCB. Incorrect mounting may result in damaging the IC. Avoid nearby pins being shorted to each other especially to ground, power supply and output pin. Inter-pin shorts could be due to many reasons such as metal particles, water droplets (in very humid environment) and unintentional solder bridge deposited in between pins during assembly to name a few.

Operational Notes – continued

10. Unused Input Pins

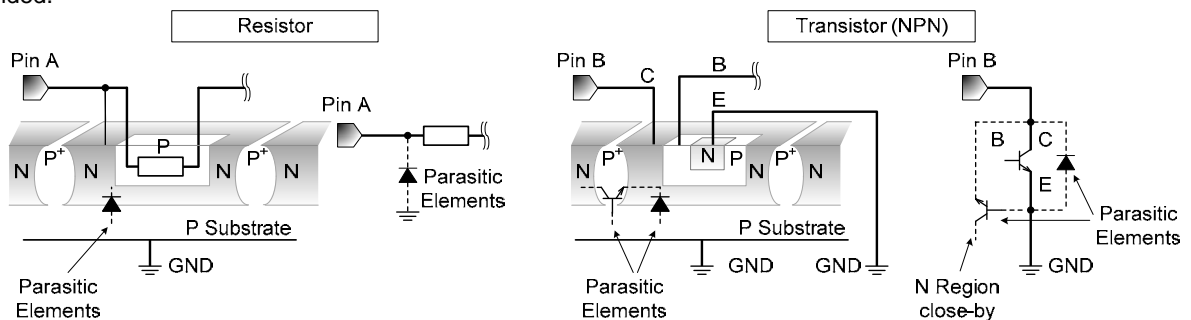
Input pins of an IC are often connected to the gate of a MOS transistor. The gate has extremely high impedance and extremely low capacitance. If left unconnected, the electric field from the outside can easily charge it. The small charge acquired in this way is enough to produce a significant effect on the conduction through the transistor and cause unexpected operation of the IC. So unless otherwise specified, unused input pins should be connected to the power supply or ground line.

11. Regarding the Input Pin of the IC

This monolithic IC contains P+ isolation and P substrate layers between adjacent elements in order to keep them isolated. P-N junctions are formed at the intersection of the P layers with the N layers of other elements, creating a parasitic diode or transistor. For example (refer to figure below):

When $GND > Pin A$ and $GND > Pin B$, the P-N junction operates as a parasitic diode.
When $GND > Pin B$, the P-N junction operates as a parasitic transistor.

Parasitic diodes inevitably occur in the structure of the IC. The operation of parasitic diodes can result in mutual interference among circuits, operational faults, or physical damage. Therefore, conditions that cause these diodes to operate, such as applying a voltage lower than the GND voltage to an input pin (and thus to the P substrate) should be avoided.

**12. Ceramic Capacitor**

When using a ceramic capacitor, determine the dielectric constant considering the change of capacitance with temperature and the decrease in nominal capacitance due to DC bias and others.

13. Thermal Shutdown Circuit(TSD)

This IC has a built-in thermal shutdown circuit that prevents heat damage to the IC. Normal operation should always be within the IC's power dissipation rating. If however the rating is exceeded for a continued period, the junction temperature (T_j) will rise which will activate the TSD circuit that will turn OFF all output pins. When the T_j falls below the TSD threshold, the circuits are automatically restored to normal operation.

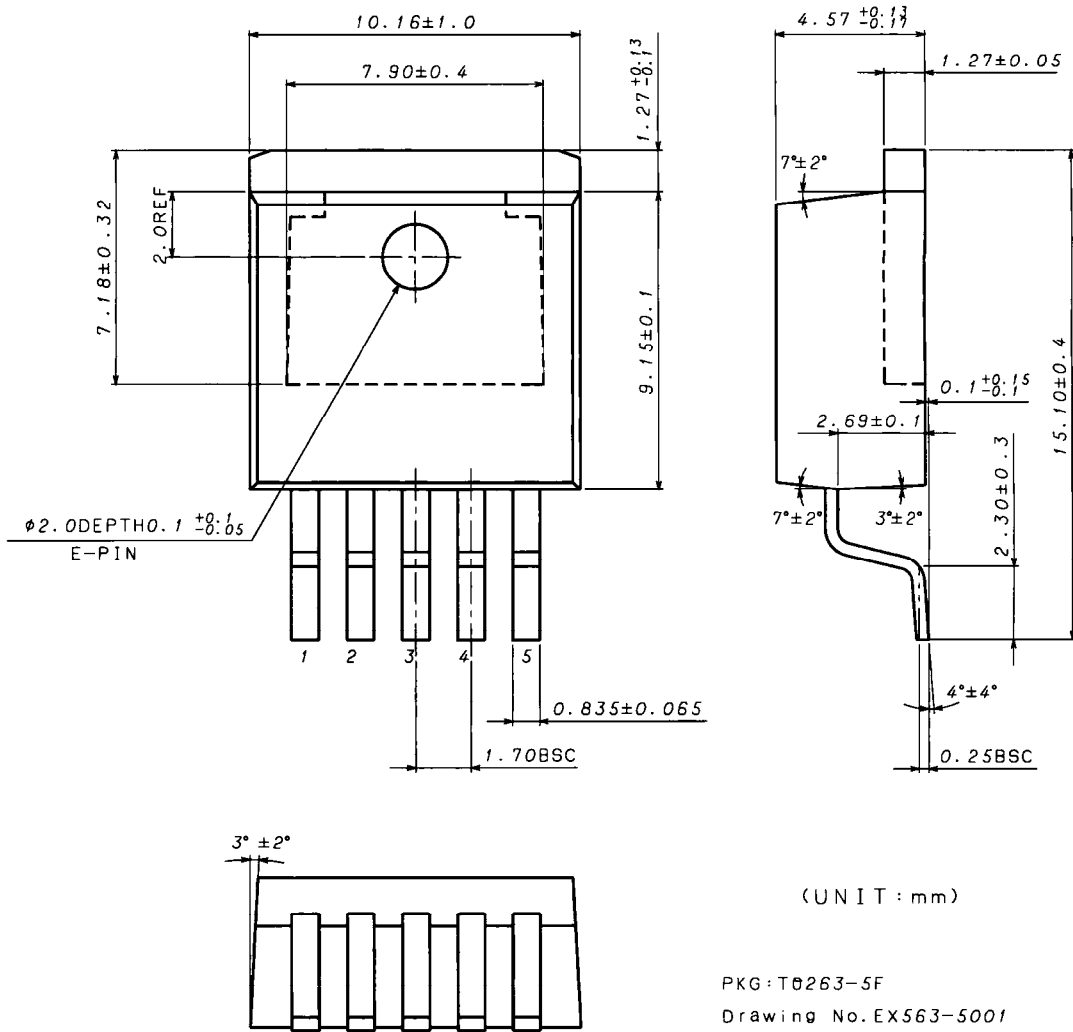
Note that the TSD circuit operates in a situation that exceeds the absolute maximum ratings and therefore, under no circumstances, should the TSD circuit be used in a set design or for any purpose other than protecting the IC from heat damage.

14. Over Current Protection Circuit (OCP)

This IC incorporates an integrated overcurrent protection circuit that is activated when the load is shorted. This protection circuit is effective in preventing damage due to sudden and unexpected incidents. However, the IC should not be used in applications characterized by continuous operation or transitioning of the protection circuit.

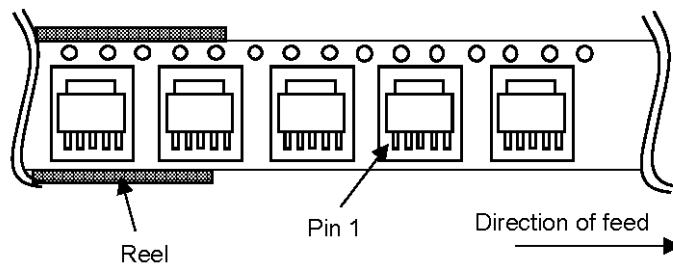
Physical Dimension Tape and Reel Information

Package Name	TO263-5F
--------------	----------



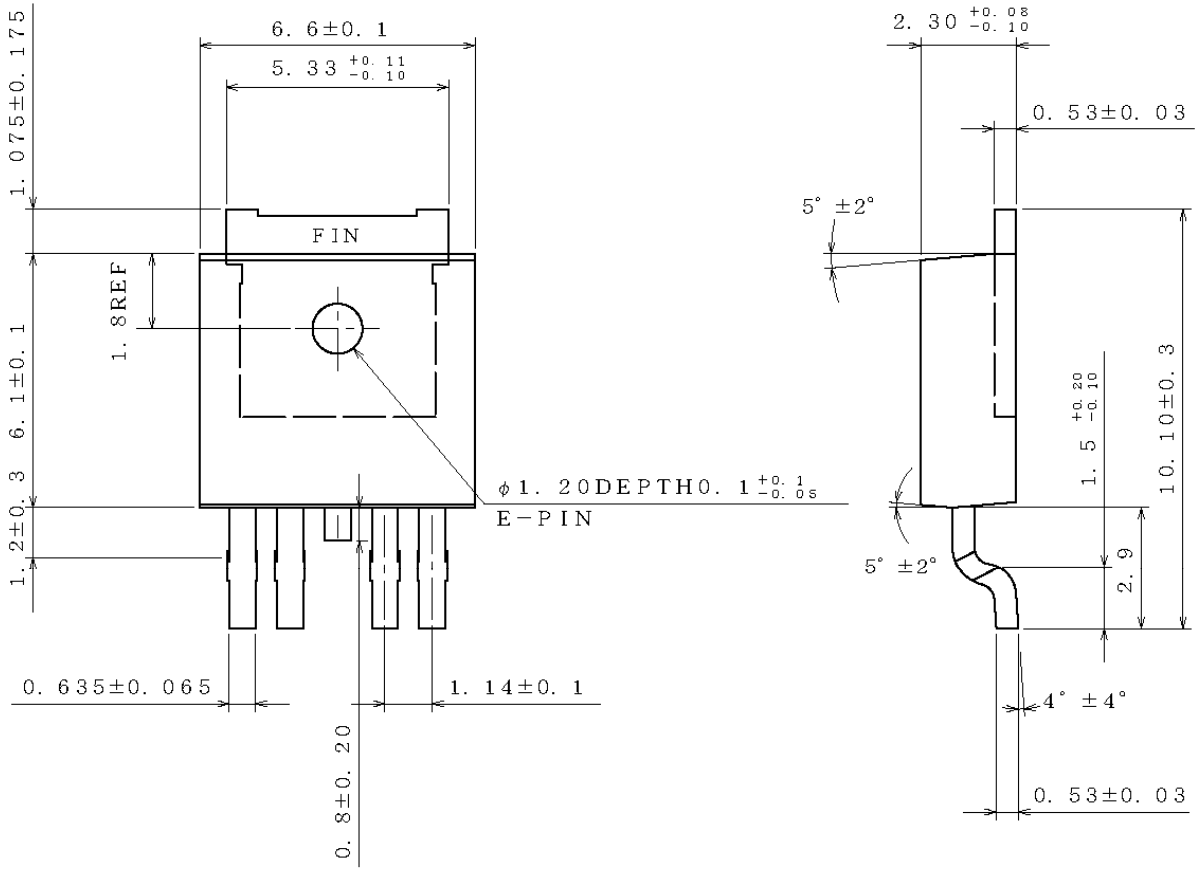
< Tape and Reel Information >

Tape	Embossed carrier tape
Quantity	500pcs
Direction of feed	E2 The direction is the pin 1 of product is at the upper left when you hold reel on the left hand and you pull out the tape on the right hand



Physical Dimension Tape and Reel Information

Package Name	TO252-J5F
--------------	-----------



(UNIT : mm)

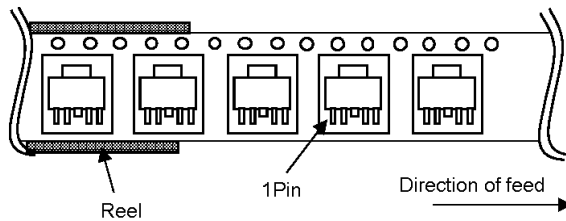
PKG : TO252-J5F

Drawing No. EX567-5001

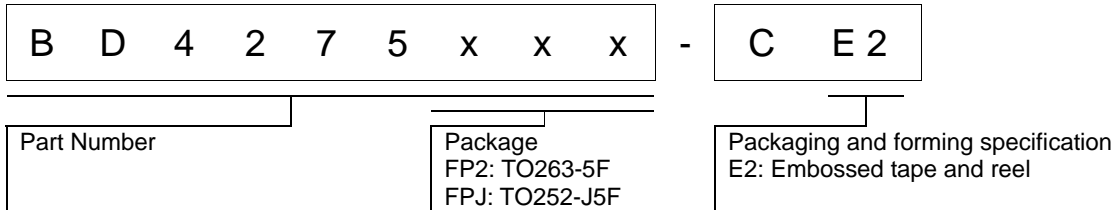
Drawing No. EX567-5001

< Tape and Reel Information >

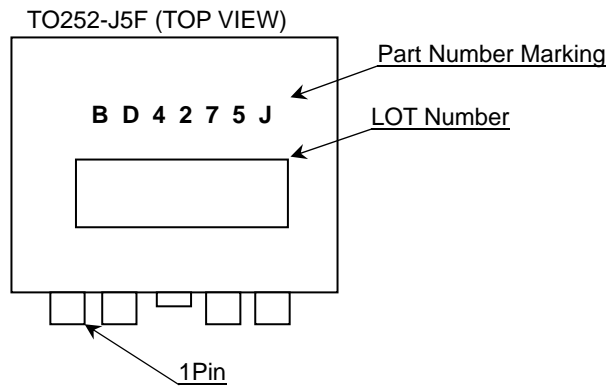
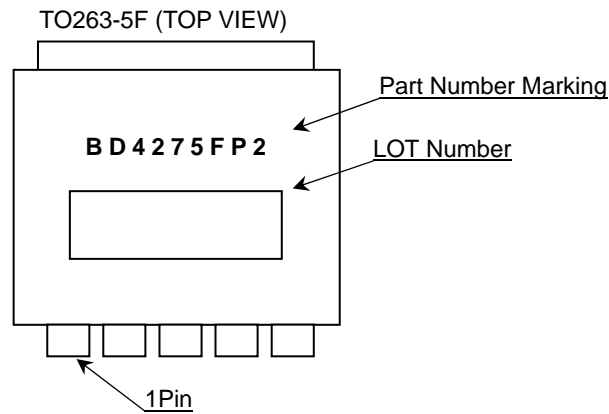
Tape	Embossed carrier tape
Quantity	2000pcs
Direction of feed	E2 (The direction is the 1pin of product is at the lower left when you hold reel on the left hand and you pull out the tape on the right hand)



Ordering Information



Marking Diagram



Revision History

Date	Revision	Changes
5.Apr.2013	001	New Release
25.Sep.2013	002	P5 The condition of RO L Voltage at Electrical Characteristics was changed. P10 The Timing Chart was corrected. P11 The statement of "Reference Data" of Package data of TO263-5F and TO252-J5F was deleted. P13 The information of "Output pin capacitor" was changed. P15 The information of "Operational Notes" was changed. P16 TO263-5F quantity written in "Tape and reel information" was corrected. P17 TO252-J5F physical dimension was corrected.
29.Nov.2013	003	P11 The package data of TO263-5F was corrected. P16 The information of "Operational Notes" was changed.

Notice

Precaution on using ROHM Products

1. If you intend to use our Products in devices requiring extremely high reliability (such as medical equipment ^(Note 1), aircraft/spacecraft, nuclear power controllers, etc.) and whose malfunction or failure may cause loss of human life, bodily injury or serious damage to property ("Specific Applications"), please consult with the ROHM sales representative in advance. Unless otherwise agreed in writing by ROHM in advance, ROHM shall not be in any way responsible or liable for any damages, expenses or losses incurred by you or third parties arising from the use of any ROHM's Products for Specific Applications.

(Note1) Medical Equipment Classification of the Specific Applications

JAPAN	USA	EU	CHINA
CLASS III	CLASS III	CLASS II b	CLASS III
CLASS IV		CLASS III	

2. ROHM designs and manufactures its Products subject to strict quality control system. However, semiconductor products can fail or malfunction at a certain rate. Please be sure to implement, at your own responsibilities, adequate safety measures including but not limited to fail-safe design against the physical injury, damage to any property, which a failure or malfunction of our Products may cause. The following are examples of safety measures:
 - [a] Installation of protection circuits or other protective devices to improve system safety
 - [b] Installation of redundant circuits to reduce the impact of single or multiple circuit failure
3. Our Products are not designed under any special or extraordinary environments or conditions, as exemplified below. Accordingly, ROHM shall not be in any way responsible or liable for any damages, expenses or losses arising from the use of any ROHM's Products under any special or extraordinary environments or conditions. If you intend to use our Products under any special or extraordinary environments or conditions (as exemplified below), your independent verification and confirmation of product performance, reliability, etc, prior to use, must be necessary:
 - [a] Use of our Products in any types of liquid, including water, oils, chemicals, and organic solvents
 - [b] Use of our Products outdoors or in places where the Products are exposed to direct sunlight or dust
 - [c] Use of our Products in places where the Products are exposed to sea wind or corrosive gases, including Cl₂, H₂S, NH₃, SO₂, and NO₂
 - [d] Use of our Products in places where the Products are exposed to static electricity or electromagnetic waves
 - [e] Use of our Products in proximity to heat-producing components, plastic cords, or other flammable items
 - [f] Sealing or coating our Products with resin or other coating materials
 - [g] Use of our Products without cleaning residue of flux (even if you use no-clean type fluxes, cleaning residue of flux is recommended); or Washing our Products by using water or water-soluble cleaning agents for cleaning residue after soldering
 - [h] Use of the Products in places subject to dew condensation
4. The Products are not subject to radiation-proof design.
5. Please verify and confirm characteristics of the final or mounted products in using the Products.
6. In particular, if a transient load (a large amount of load applied in a short period of time, such as pulse. is applied, confirmation of performance characteristics after on-board mounting is strongly recommended. Avoid applying power exceeding normal rated power; exceeding the power rating under steady-state loading condition may negatively affect product performance and reliability.
7. De-rate Power Dissipation (Pd) depending on Ambient temperature (Ta). When used in sealed area, confirm the actual ambient temperature.
8. Confirm that operation temperature is within the specified range described in the product specification.
9. ROHM shall not be in any way responsible or liable for failure induced under deviant condition from what is defined in this document.

Precaution for Mounting / Circuit board design

1. When a highly active halogenous (chlorine, bromine, etc.) flux is used, the residue of flux may negatively affect product performance and reliability.
2. In principle, the reflow soldering method must be used; if flow soldering method is preferred, please consult with the ROHM representative in advance.

For details, please refer to ROHM Mounting specification

Precautions Regarding Application Examples and External Circuits

1. If change is made to the constant of an external circuit, please allow a sufficient margin considering variations of the characteristics of the Products and external components, including transient characteristics, as well as static characteristics.
2. You agree that application notes, reference designs, and associated data and information contained in this document are presented only as guidance for Products use. Therefore, in case you use such information, you are solely responsible for it and you must exercise your own independent verification and judgment in the use of such information contained in this document. ROHM shall not be in any way responsible or liable for any damages, expenses or losses incurred by you or third parties arising from the use of such information.

Precaution for Electrostatic

This Product is electrostatic sensitive product, which may be damaged due to electrostatic discharge. Please take proper caution in your manufacturing process and storage so that voltage exceeding the Products maximum rating will not be applied to Products. Please take special care under dry condition (e.g. Grounding of human body / equipment / solder iron, isolation from charged objects, setting of ionizer, friction prevention and temperature / humidity control).

Precaution for Storage / Transportation

1. Product performance and soldered connections may deteriorate if the Products are stored in the places where:
 - [a] the Products are exposed to sea winds or corrosive gases, including Cl₂, H₂S, NH₃, SO₂, and NO₂
 - [b] the temperature or humidity exceeds those recommended by ROHM
 - [c] the Products are exposed to direct sunshine or condensation
 - [d] the Products are exposed to high Electrostatic
2. Even under ROHM recommended storage condition, solderability of products out of recommended storage time period may be degraded. It is strongly recommended to confirm solderability before using Products of which storage time is exceeding the recommended storage time period.
3. Store / transport cartons in the correct direction, which is indicated on a carton with a symbol. Otherwise bent leads may occur due to excessive stress applied when dropping of a carton.
4. Use Products within the specified time after opening a humidity barrier bag. Baking is required before using Products of which storage time is exceeding the recommended storage time period.

Precaution for Product Label

QR code printed on ROHM Products label is for ROHM's internal use only.

Precaution for Disposition

When disposing Products please dispose them properly using an authorized industry waste company.

Precaution for Foreign Exchange and Foreign Trade act

Since our Products might fall under controlled goods prescribed by the applicable foreign exchange and foreign trade act, please consult with ROHM representative in case of export.

Precaution Regarding Intellectual Property Rights

1. All information and data including but not limited to application example contained in this document is for reference only. ROHM does not warrant that foregoing information or data will not infringe any intellectual property rights or any other rights of any third party regarding such information or data. ROHM shall not be in any way responsible or liable for infringement of any intellectual property rights or other damages arising from use of such information or data.:
2. No license, expressly or implied, is granted hereby under any intellectual property rights or other rights of ROHM or any third parties with respect to the information contained in this document.

Other Precaution

1. This document may not be reprinted or reproduced, in whole or in part, without prior written consent of ROHM.
2. The Products may not be disassembled, converted, modified, reproduced or otherwise changed without prior written consent of ROHM.
3. In no event shall you use in any way whatsoever the Products and the related technical information contained in the Products or this document for any military purposes, including but not limited to, the development of mass-destruction weapons.
4. The proper names of companies or products described in this document are trademarks or registered trademarks of ROHM, its affiliated companies or third parties.

General Precaution

1. Before you use our Products, you are requested to carefully read this document and fully understand its contents. ROHM shall not be in any way responsible or liable for failure, malfunction or accident arising from the use of any ROHM's Products against warning, caution or note contained in this document.
2. All information contained in this document is current as of the issuing date and subject to change without any prior notice. Before purchasing or using ROHM's Products, please confirm the latest information with a ROHM sales representative.
3. The information contained in this document is provided on an "as is" basis and ROHM does not warrant that all information contained in this document is accurate and/or error-free. ROHM shall not be in any way responsible or liable for any damages, expenses or losses incurred by you or third parties resulting from inaccuracy or errors of or concerning such information.