

TOSHIBA INSULATED GATE BIPOLAR TRANSISTOR SILICON N CHANNEL IGBT

GT10J312, GT10J312(SM)

HIGH POWER SWITCHING APPLICATIONS

MOTOR CONTROL APPLICATIONS

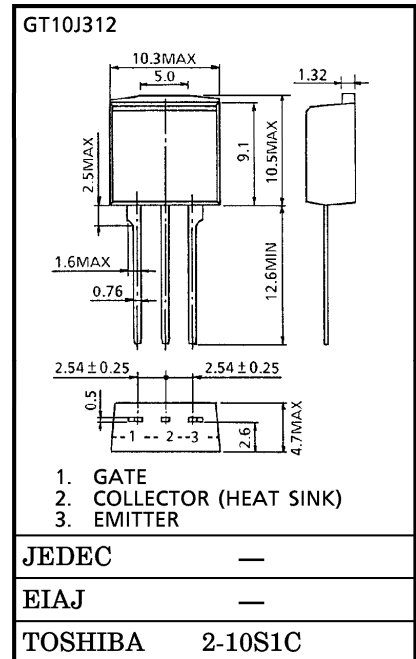
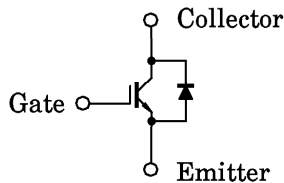
Unit in mm

- The 3rd Generation
- Enhancement-Mode
- High Speed : $t_f = 0.30 \mu s$ (Max.)
- Low Saturation Voltage : $V_{CE(sat)} = 2.7V$ (Max.)
- FRD included between Emitter and Collector.

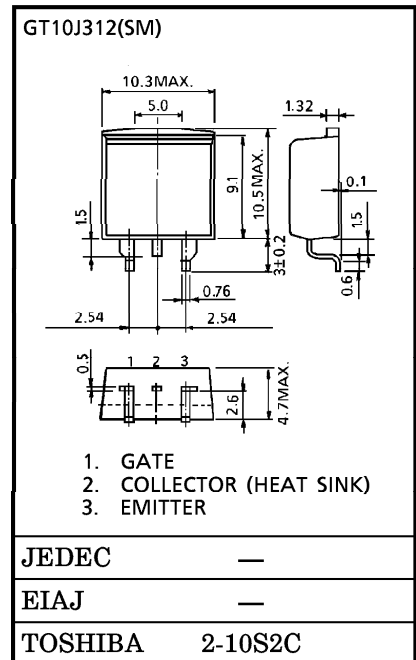
MAXIMUM RATINGS (Ta = 25°C)

CHARACTERISTIC	SYMBOL	RATING	UNIT
Collector-Emitter Voltage	V_{CES}	600	V
Gate-Emitter Voltage	V_{GES}	± 20	V
Collector Current	DC	I_C	10 A
	1ms	I_{CP}	20 A
Emitter-Collector Forward Current	DC	I_F	10 A
	1ms	I_{FM}	20 A
Collector Power Dissipation (Tc = 25°C)	P_C	60	W
Junction Temperature	T_j	150	°C
Storage Temperature Range	T_{stg}	-55~150	°C

EQUIVALENT CIRCUIT



Weight : 1.5g



Weight : 1.4g

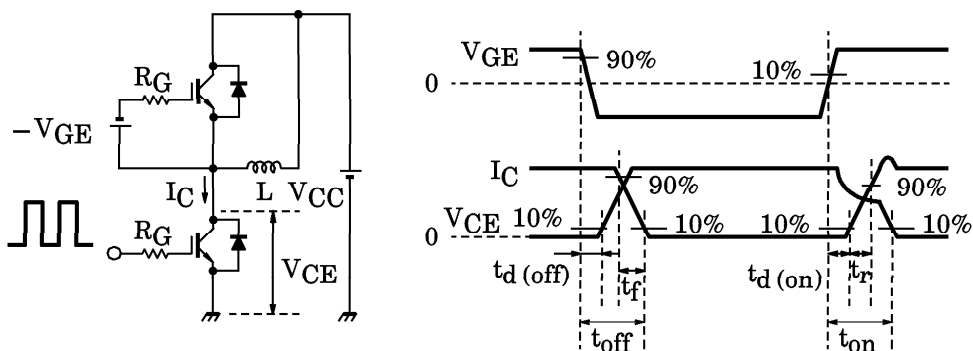
961001EAA2

- TOSHIBA is continually working to improve the quality and the reliability of its products. Nevertheless, semiconductor devices in general can malfunction or fail due to their inherent electrical sensitivity and vulnerability to physical stress. It is the responsibility of the buyer, when utilizing TOSHIBA products, to observe standards of safety, and to avoid situations in which a malfunction or failure of a TOSHIBA product could cause loss of human life, bodily injury or damage to property. In developing your designs, please ensure that TOSHIBA products are used within specified operating ranges as set forth in the most recent products specifications. Also, please keep in mind the precautions and conditions set forth in the TOSHIBA Semiconductor Reliability Handbook.
- The information contained herein is presented only as a guide for the applications of our products. No responsibility is assumed by TOSHIBA CORPORATION for any infringements of intellectual property or other rights of the third parties which may result from its use. No license is granted by implication or otherwise under any intellectual property or other rights of TOSHIBA CORPORATION or others.
- The information contained herein is subject to change without notice.

ELECTRICAL CHARACTERISTICS (Ta = 25°C)

CHARACTERISTIC	SYMBOL	TEST CONDITION	MIN.	TYP.	MAX.	UNIT
Gate Leakage Current	I_{GES}	$V_{GE} = \pm 20V, V_{CE} = 0$	—	—	± 500	nA
Collector Cut-Off Current	I_{CES}	$V_{CE} = 600V, V_{GE} = 0$	—	—	1.0	mA
Gate-Emitter Cut-Off Voltage	$V_{GE} (OFF)$	$I_C = 1mA, V_{CE} = 5V$	5.0	—	8.0	V
Collector-Emmitter Saturation Voltage	$V_{CE} (sat)$	$I_C = 10A, V_{GE} = 15V$	—	2.1	2.7	V
Input Capacitance	C_{ies}	$V_{CE} = 20V, V_{GE} = 0, f = 1MHz$	—	720	—	pF
Switching Time	Rise Time	Inductive Load $V_{CC} = 300V, I_C = 10A$ $V_{GG} = \pm 15V, R_G = 100\Omega$ (Note 1)	—	0.12	—	μs
	Turn-On Time		—	0.40	—	
	Fall Time		—	0.15	0.30	
	Turn-Off Time		—	0.40	—	
Peak Forward Voltage	V_F	$I_F = 10A, V_{GE} = 0$	—	—	2.0	V
Reverse Recovery Time	t_{rr}	$I_F = 10A, di/dt = -100A/\mu s$	—	—	200	ns
Thermal Resistance (IGBT)	$R_{th(j-c)}$	—	—	—	2.08	°C/W
Thermal Resistance (Diode)	$R_{th(j-c)}$	—	—	—	3.76	°C/W

(Note 1) Switching time measurement circuit and input/output waveforms



Switching loss measurement waveforms

