



### FEATURES:

- RoHS compliant
- Power modules for PCB mounting
- Six Sided continuous shielded
- High Efficiency
- Standard package

### Models

#### Single output



Model	Input Voltage (V)	Output Voltage (V)	Output Current max (A)	Ripples % , max	Noise %	Isolation (VDC)	Efficiency (%)
AM40K-4801SCZ	36-75	1.8	8	50 mV p-p	100 mV p-p	1500	78
AM40K-4802SCZ	36-75	2.5	8	50 mV p-p	100 mV p-p	1500	82
AM40K-4803SCZ	36-75	3.3	8	50 mV p-p	100 mV p-p	1500	84
AM40K-4805SCZ	36-75	5	8	50 mV p-p	100 mV p-p	1500	86
AM40K-4812SCZ	36-75	12	3.33	±1	±1	1500	83
AM40K-4815SCZ	36-75	15	2.66	±1	±1	1500	83
AM40K-4824SCZ	36-75	24	1.66	±1	±1	1500	84

### Input Specifications

Parameters	Conditions	Typical	Maximum	Units
Voltage range		36-75		VDC
Filter		π (Pi) Network		

### Isolation Specifications

Parameters	Conditions	Typical	Maximum	Units
Rated voltage		1500		VDC
Resistance		> 1000		MOhm
Capacitance		1000		pF

### Output Specifications

Parameters	Conditions	Typical	Maximum	Units
Voltage accuracy			±2	%
Short Circuit protection	Auto recovery	Hiccup		
Over voltage protection	Zener diode clamp protection			
Over load protection	Auto recovery	Works 120% of rating		%
Line voltage regulation (Single)	HL-LL	±0.5		%
Load voltage regulation (Single)	10-100%	±1		%
Temperature coefficient		±0.02		%/°C

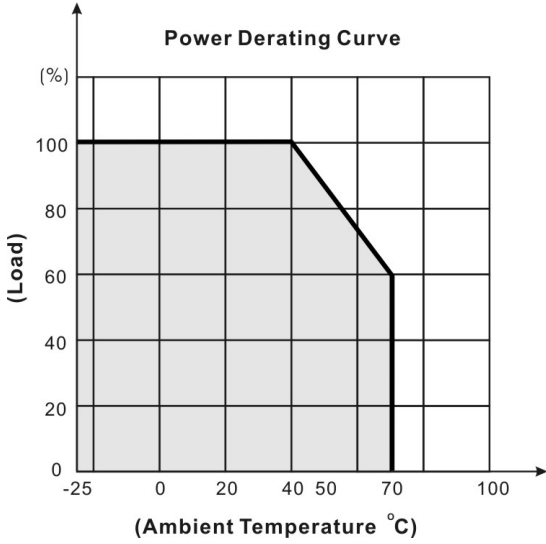
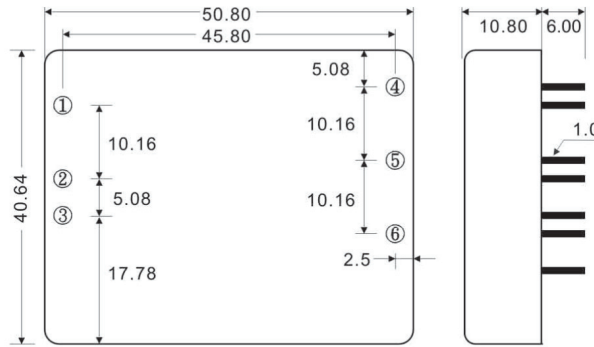
### General Specifications

Parameters	Conditions	Typical	Maximum	Units
Switching frequency	100% load	400		KHz
Operating temperature	With derating above 40°C	-25 +70		°C
Storage temperature		-55 to +105		°C
Case temperature			95	°C
Cooling	Free air convection			
Humidity	Non condensing		95	%
Case material	Nickel coated copper with non conductive base. Six-sides shield			
Weight		58		g
Dimensions	Tolerance ±0.5mm	2.0 x 1.60 x 0.47 inches	50.8 x 40.6 x 11.9 mm	
MTBF	> 550 000 hrs (MIL-HDBK -217F, Ground Benign, t=+25°C)			

### Pin Out Specifications

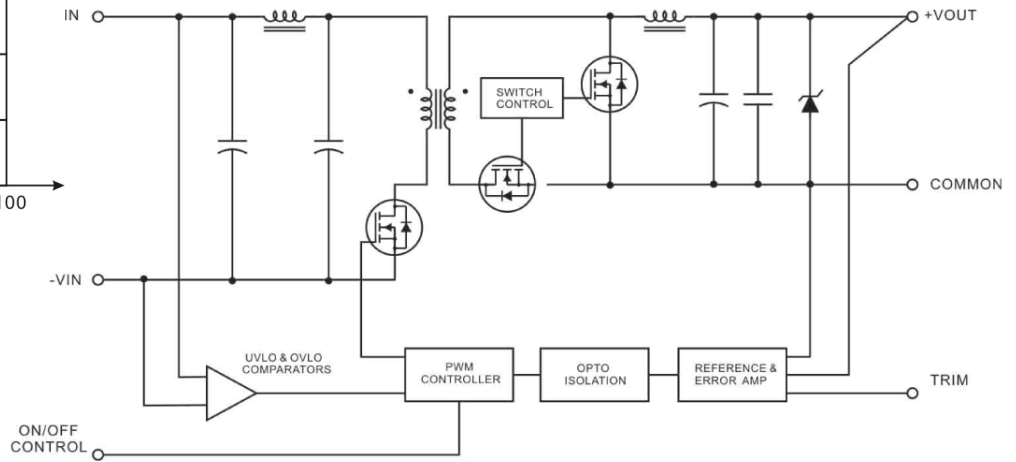
Pin #	Single
1	On/Off Control
2	-V Input
3	+V Input
4	Trim
5	-V Output
6	+V Output

### Dimensions

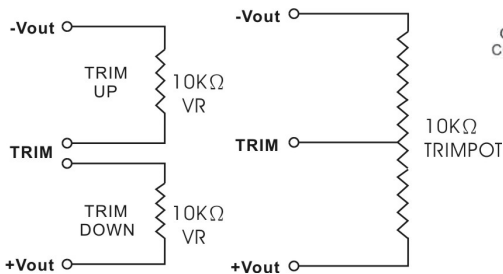


### Block Diagram

Output Voltage (V.DC) : 1.8V, 2.5V, 3.3V, 5V



### Trimming



Output Voltage (V.DC) : 12V, 15V, 24V

