

# FR8204 18V, 2A, 500KHz Synchronous Step-Down DC/DC Converter

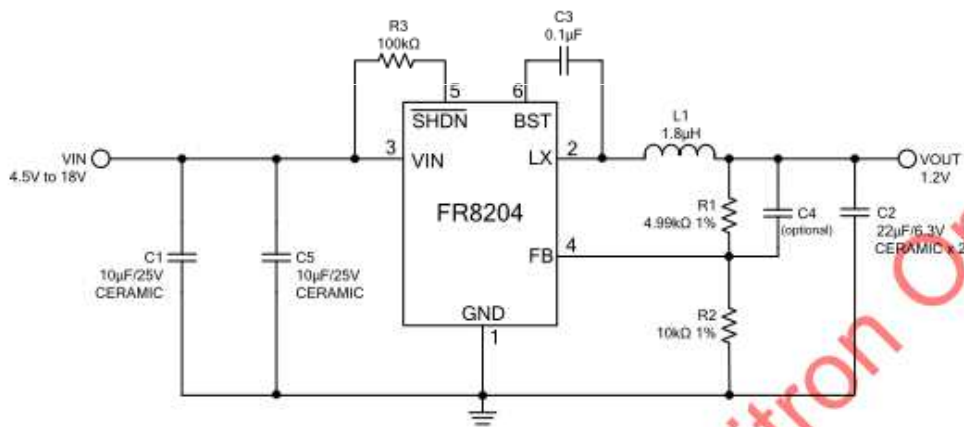
## FEATURES

- Low R<sub>DS(ON)</sub> Integrated Power MOSFET (170mΩ/90mΩ)
- Internal Compensation Function
- Wide Input Voltage Range: 4.5V to 18V
- 0.8V Reference Voltage
- 2A Output Current
- 500kHz Switching Frequency
- 1ms Soft-Start Time
- Cycle-by-Cycle Current Limit
- Over-Temperature Protection with Auto Recovery
- Under Voltage Lockout
- Hiccup Short Circuit Protection
- SOT-23-6 Package

## PIN DESCRIPTION

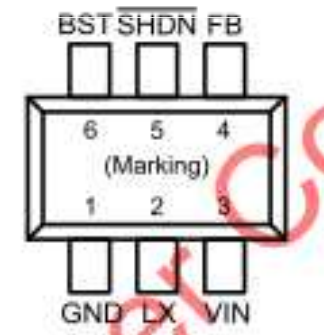
NAME	SOT-23-6 / TSOT-23-6	DESCRIPTION
<b>GND</b>	1	Ground
<b>LX</b>	2	Power Switching Output
<b>VIN</b>	3	Power Supply Input
<b>FB</b>	4	Voltage Feedback Input
<b>SHDN</b>	5	Enable Input
<b>BST</b>	6	High Side Gate Drive Boost

## TYPICAL APPLICATION CIRCUIT



## PACKAGE

### SOT-23-6



## TYPICAL APPLICATION

- STB (Set-Top-Box)
- LCD Display, TV
- Distributed Power System
- Networking, XDSL Modem