

# NUD3105

## Integrated Relay, Inductive Load Driver

This device is used to switch inductive loads such as relays, solenoids incandescent lamps, and small DC motors without the need of a free-wheeling diode. The device integrates all necessary items such as the MOSFET switch, ESD protection, and Zener clamps. It accepts logic level inputs thus allowing it to be driven by a large variety of devices including logic gates, inverters, and microcontrollers.

### Features

- Provides a Robust Driver Interface Between DC Relay Coil and Sensitive Logic Circuits
- Optimized to Switch Relays from 3.0 V to 5.0 V Rail
- Capable of Driving Relay Coils Rated up to 2.5 W at 5.0 V
- Internal Zener Eliminates the Need of Free-Wheeling Diode
- Internal Zener Clamp Routes Induced Current to Ground for Quieter Systems Operation
- Low  $V_{DS(on)}$  Reduces System Current Drain
- SZ Prefix for Automotive and Other Applications Requiring Unique Site and Control Change Requirements; AEC-Q101 Qualified and PPAP Capable
- These are Pb-Free Devices

### Typical Applications

- Telecom: Line Cards, Modems, Answering Machines, FAX
- Computers and Office: Photocopiers, Printers, Desktop Computers
- Consumer: TVs and VCRs, Stereo Receivers, CD Players, Cassette Recorders
- Industrial: Small Appliances, Security Systems, Automated Test Equipment, Garage Door Openers
- Automotive: 5.0 V Driven Relays, Motor Controls, Power Latches, Lamp Drivers

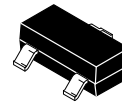


ON Semiconductor®

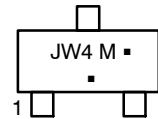
[www.onsemi.com](http://www.onsemi.com)

## RELAY/INDUCTIVE LOAD DRIVER 0.5 AMPERE, 8.0 VOLT CLAMP

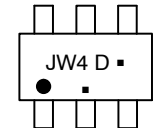
### MARKING DIAGRAMS



SOT-23  
(TO-236)  
CASE 318



SC-74  
CASE 318F  
STYLE 7



JW4 = Device Code  
M = Date Code\*  
D = Date Code  
▪ = Pb-Free Package

(Note: Microdot may be in either location)  
\*Date Code orientation and/or overbar may vary depending upon manufacturing location.

### ORDERING INFORMATION

Device	Package	Shipping†
NUD3105LT1G	SOT-23 (Pb-Free)	3000 / Tape & Reel
NUD3105DMT1G	SOT-74 (Pb-Free)	3000 / Tape & Reel
SZNUD3105DMT1G	SOT-74 (Pb-Free)	3000 / Tape & Reel

†For information on tape and reel specifications, including part orientation and tape sizes, please refer to our Tape and Reel Packaging Specification Brochure, BRD8011/D.

# NUD3105

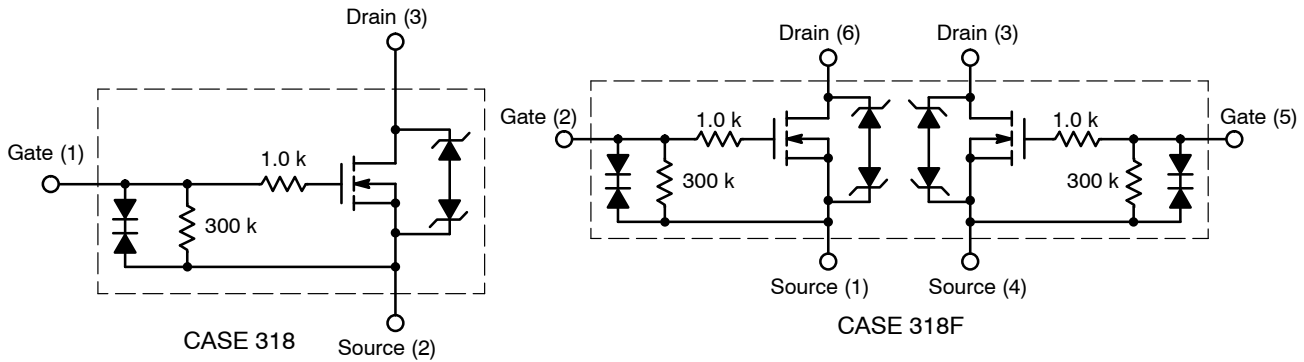


Figure 1. Internal Circuit Diagrams

## MAXIMUM RATINGS ( $T_J = 25^\circ\text{C}$ unless otherwise specified)

Symbol	Rating	Value	Unit
$V_{DS}$	Drain to Source Voltage – Continuous	6.0	$V_{dc}$
$V_{GS}$	Gate to Source Voltage – Continuous	6.0	$V_{dc}$
$I_D$	Drain Current – Continuous	500	mA
$E_z$	Single Pulse Drain-to-Source Avalanche Energy ( $T_{Jinitial} = 25^\circ\text{C}$ ) (Note 2)	50	mJ
$E_{zpk}$	Repetitive Pulse Zener Energy Limit ( $DC \leq 0.01\%$ ) ( $f = 100\text{ Hz}$ , $DC = 0.5$ )	4.5	mJ
$T_J$	Junction Temperature	150	$^\circ\text{C}$
$T_A$	Operating Ambient Temperature	-40 to 85	$^\circ\text{C}$
$T_{stg}$	Storage Temperature Range	-65 to +150	$^\circ\text{C}$
$P_D$	Total Power Dissipation (Note 1) Derating Above $25^\circ\text{C}$	SOT-23 225 1.8	mW mW/ $^\circ\text{C}$
	Total Power Dissipation (Note 1) Derating Above $25^\circ\text{C}$	SC-74 380 1.5	mW mW/ $^\circ\text{C}$
$R_{\theta JA}$	Thermal Resistance, Junction-to-Ambient	SOT-23 556	$^\circ\text{C}/\text{W}$
		SC-74 329	

Stresses exceeding those listed in the Maximum Ratings table may damage the device. If any of these limits are exceeded, device functionality should not be assumed, damage may occur and reliability may be affected.

- This device contains ESD protection and exceeds the following tests:  
Human Body Model 2000 V per MIL-STD-883, Method 3015.  
Machine Model Method 200 V.

- Refer to the section covering Avalanche and Energy.

## ELECTRICAL CHARACTERISTICS ( $T_J = 25^\circ\text{C}$ unless otherwise noted)

Symbol	Characteristic	Min	Typ	Max	Unit
<b>OFF CHARACTERISTICS</b>					
$V_{BRDSS}$	Drain to Source Sustaining Voltage (Internally Clamped), ( $I_D = 10\text{ mA}$ )	6.0	8.0	9.0	V
$B_{VGS0}$	$I_g = 1.0\text{ mA}$	-	-	8.0	V
$I_{DSS}$	Drain to Source Leakage Current ( $V_{DS} = 5.5\text{ V}$ , $V_{GS} = 0\text{ V}$ , $T_J = 25^\circ\text{C}$ ) ( $V_{DS} = 5.5\text{ V}$ , $V_{GS} = 0\text{ V}$ , $T_J = 85^\circ\text{C}$ )	-	-	15	$\mu\text{A}$
		-	-	15	
$I_{GSS}$	Gate Body Leakage Current (318) ( $V_{GS} = 3.0\text{ V}$ , $V_{DS} = 0\text{ V}$ ) ( $V_{GS} = 5.0\text{ V}$ , $V_{DS} = 0\text{ V}$ )	5.0	-	19	$\mu\text{A}$
		-	-	50	
$I_{GSS}$	Gate Body Leakage Current (318F) ( $V_{GS} = 3.0\text{ V}$ , $V_{DS} = 0\text{ V}$ ) ( $V_{GS} = 5.0\text{ V}$ , $V_{DS} = 0\text{ V}$ )	5.0	-	35	$\mu\text{A}$
		-	-	65	

# NUD3105

## ELECTRICAL CHARACTERISTICS (T<sub>J</sub> = 25°C unless otherwise noted)

Symbol	Characteristic	Min	Typ	Max	Unit
<b>ON CHARACTERISTICS</b>					
V <sub>GS(th)</sub>	Gate Threshold Voltage (V <sub>GS</sub> = V <sub>DS</sub> , I <sub>D</sub> = 1.0 mA) (V <sub>GS</sub> = V <sub>DS</sub> , I <sub>D</sub> = 1.0 mA, T <sub>J</sub> = 85°C)	0.8 0.8	1.2 -	1.4 1.4	V
R <sub>DS(on)</sub>	Drain to Source On-Resistance (I <sub>D</sub> = 250 mA, V <sub>GS</sub> = 3.0 V) (I <sub>D</sub> = 500 mA, V <sub>GS</sub> = 3.0 V) (I <sub>D</sub> = 500 mA, V <sub>GS</sub> = 5.0 V) (I <sub>D</sub> = 500 mA, V <sub>GS</sub> = 3.0 V, T <sub>J</sub> = 85°C) (I <sub>D</sub> = 500 mA, V <sub>GS</sub> = 5.0 V, T <sub>J</sub> = 85°C)	- - - - -	- - - - -	1.2 1.3 0.9 1.3 0.9	Ω
I <sub>DS(on)</sub>	Output Continuous Current (V <sub>DS</sub> = 0.25 V, V <sub>GS</sub> = 3.0 V) (V <sub>DS</sub> = 0.25 V, V <sub>GS</sub> = 3.0 V, T <sub>J</sub> = 85°C)	300 200	400 -	- -	mA
g <sub>FS</sub>	Forward Transconductance (V <sub>OUT</sub> = 5.0 V, I <sub>OUT</sub> = 0.25 A)	350	570	-	mmhos

## DYNAMIC CHARACTERISTICS

C <sub>iss</sub>	Input Capacitance (V <sub>DS</sub> = 5.0 V, V <sub>GS</sub> = 0 V, f = 10 kHz)	-	25	-	pF
C <sub>oss</sub>	Output Capacitance (V <sub>DS</sub> = 5.0 V, V <sub>GS</sub> = 0 V, f = 10 kHz)	-	37	-	pF
C <sub>rss</sub>	Transfer Capacitance (V <sub>DS</sub> = 5.0 V, V <sub>GS</sub> = 0 V, f = 10 kHz)	-	8.0	-	pF

## SWITCHING CHARACTERISTICS

Symbol	Characteristic	Min	Typ	Max	Units
t <sub>PHL</sub> t <sub>PLH</sub>	Propagation Delay Times: High to Low Propagation Delay; Figure 1 (5.0 V) Low to High Propagation Delay; Figure 1 (5.0 V)	- -	25 80	- -	nS
t <sub>PHL</sub> t <sub>PLH</sub>	High to Low Propagation Delay; Figure 1 (3.0 V) Low to High Propagation Delay; Figure 1 (3.0 V)	- -	44 44	- -	
t <sub>f</sub> t <sub>r</sub>	Transition Times: Fall Time; Figure 1 (5.0 V) Rise Time; Figure 1 (5.0 V)	- -	23 32	- -	nS
t <sub>f</sub> t <sub>r</sub>	Fall Time; Figure 1 (3.0 V) Rise Time; Figure 1 (3.0 V)	- -	53 30	- -	

Product parametric performance is indicated in the Electrical Characteristics for the listed test conditions, unless otherwise noted. Product performance may not be indicated by the Electrical Characteristics if operated under different conditions.

# NUD3105

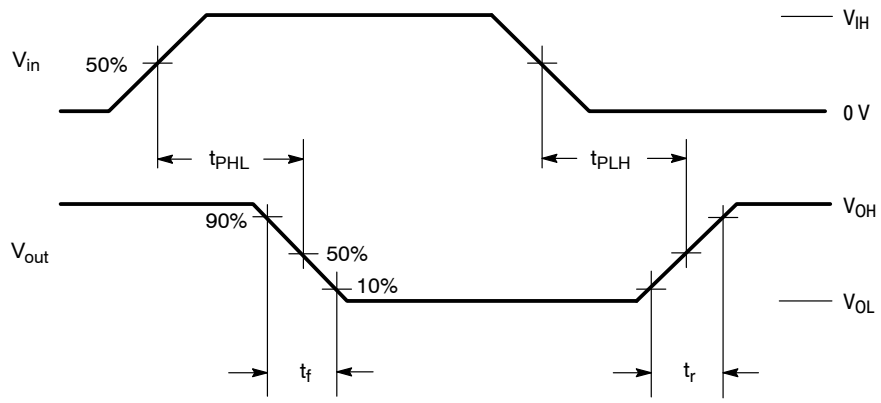


Figure 1. Switching Waveforms

TYPICAL CHARACTERISTICS

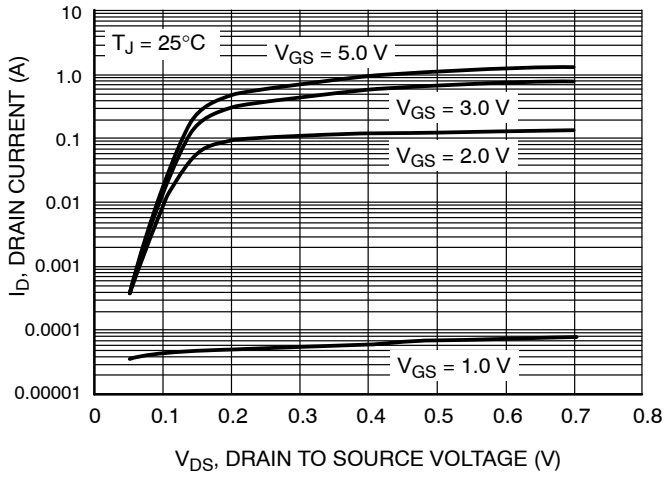


Figure 2. Output Characteristics

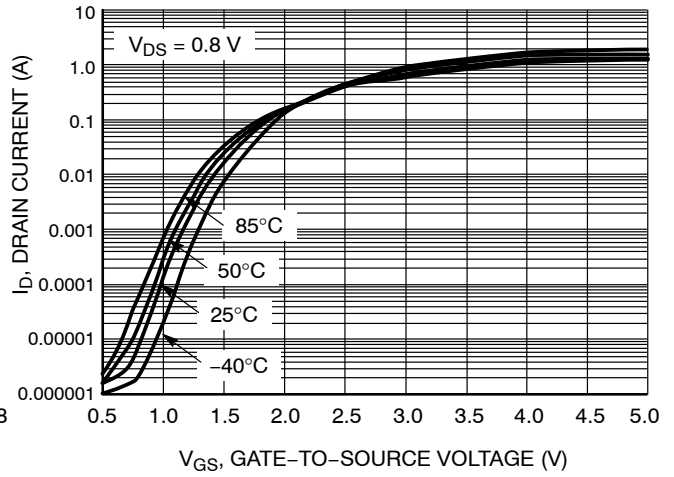


Figure 3. Transfer Function

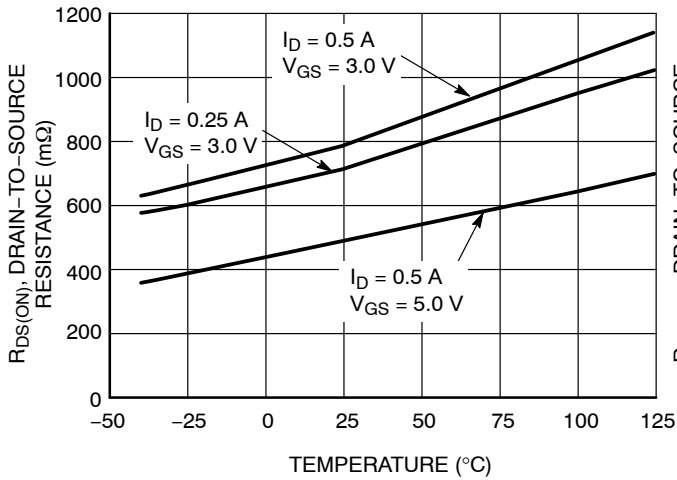


Figure 4. On Resistance Variation vs. Temperature

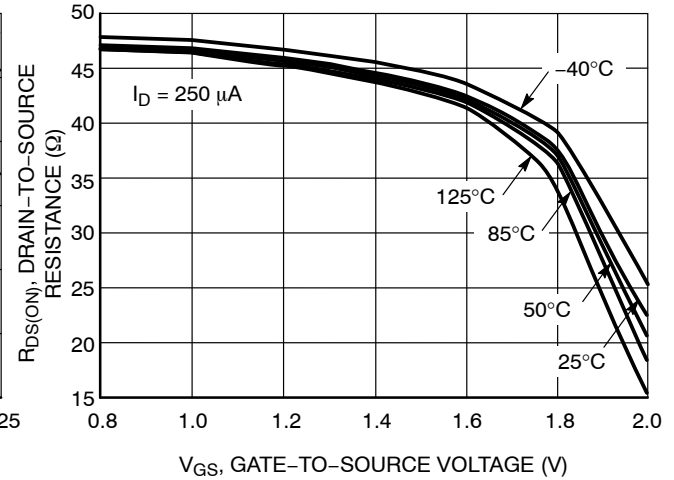


Figure 5.  $R_{DS(ON)}$  Variation with Gate to Source Voltage

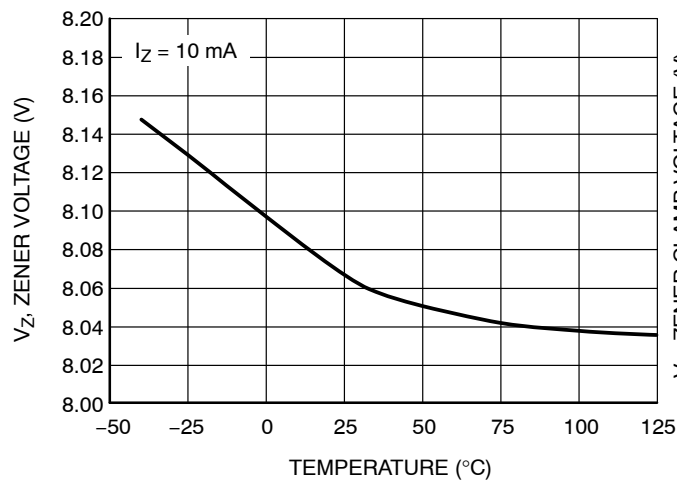


Figure 6. Zener Voltage vs. Temperature

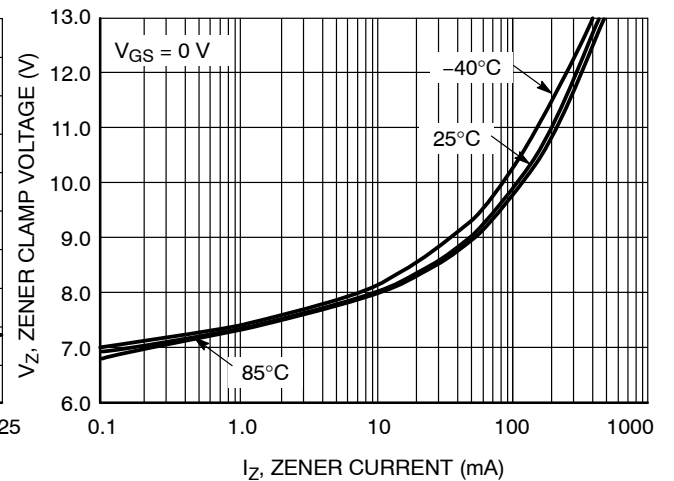


Figure 7. Zener Clamp Voltage vs. Zener Current

# NUD3105

## TYPICAL CHARACTERISTICS

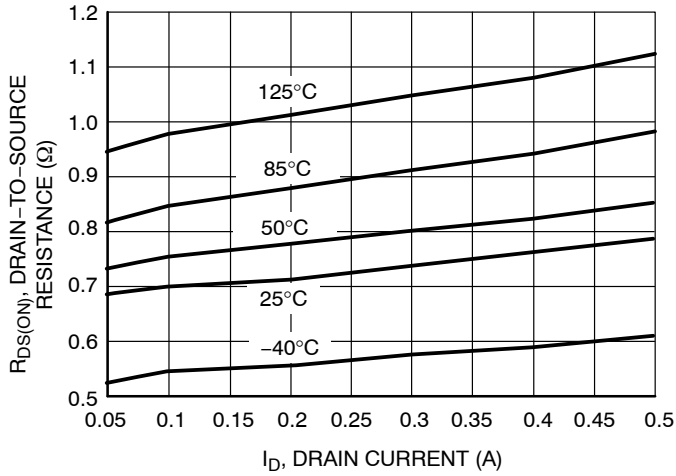


Figure 8. On-Resistance vs. Drain Current and Temperature

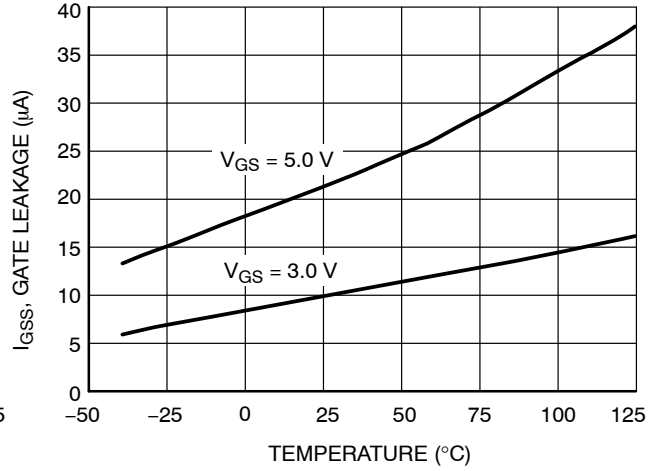


Figure 9. Gate Leakage vs. Temperature

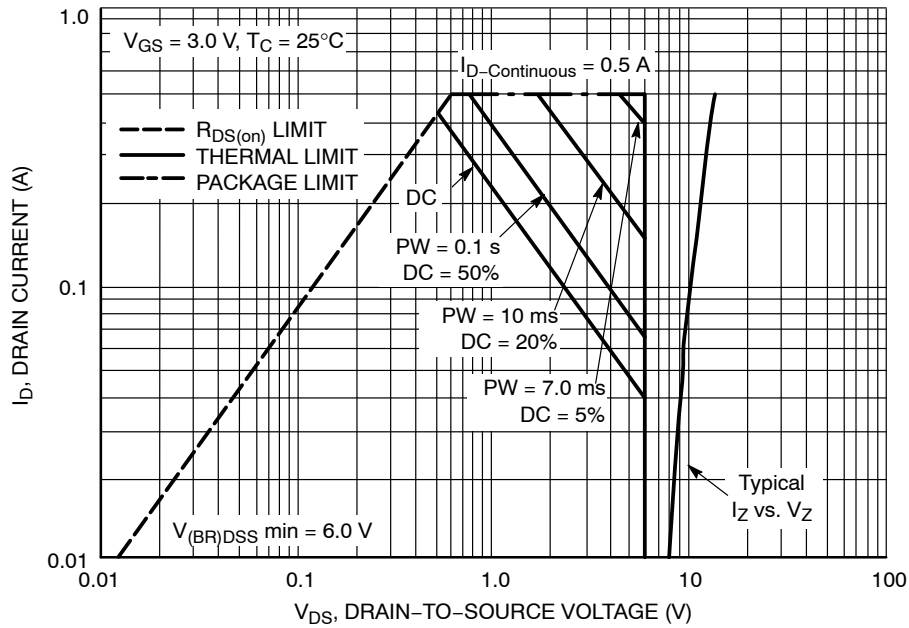


Figure 10. Safe Operating Area

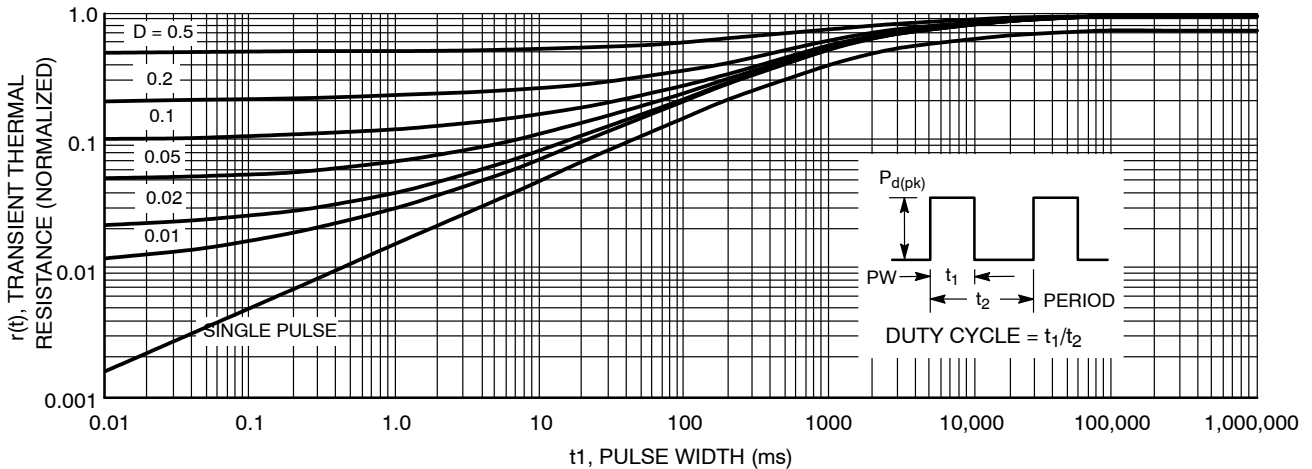


Figure 11. Transient Thermal Response

# NUD3105

## Designing with this Data Sheet

1. Determine the maximum inductive load current (at max  $V_{CC}$ , min coil resistance & usually minimum temperature) that the NUD3105 will have to drive and make sure it is less than the max rated current.
2. For pulsed operation, use the Transient Thermal Response of Figure 11 and the instructions with it to determine the maximum limit on transistor power dissipation for the desired duty cycle and temperature range.
3. Use Figures 10 and 11 with the SOA notes to insure that instantaneous operation does not push the device beyond the limits of the SOA plot.
4. Verify that the circuit driving the gate will meet the  $V_{GS(th)}$  from the Electrical Characteristics table.
5. Using the max output current calculated in step 1, check Figure 7 to insure that the range of Zener clamp voltage over temperature will satisfy all system & EMI requirements.
6. Use  $I_{GSS}$  and  $I_{DSS}$  from the Electrical Characteristics table to ensure that “OFF” state leakage over temperature and voltage extremes does not violate any system requirements.
7. Review circuit operation and insure none of the device max ratings are being exceeded.

## APPLICATIONS DIAGRAMS

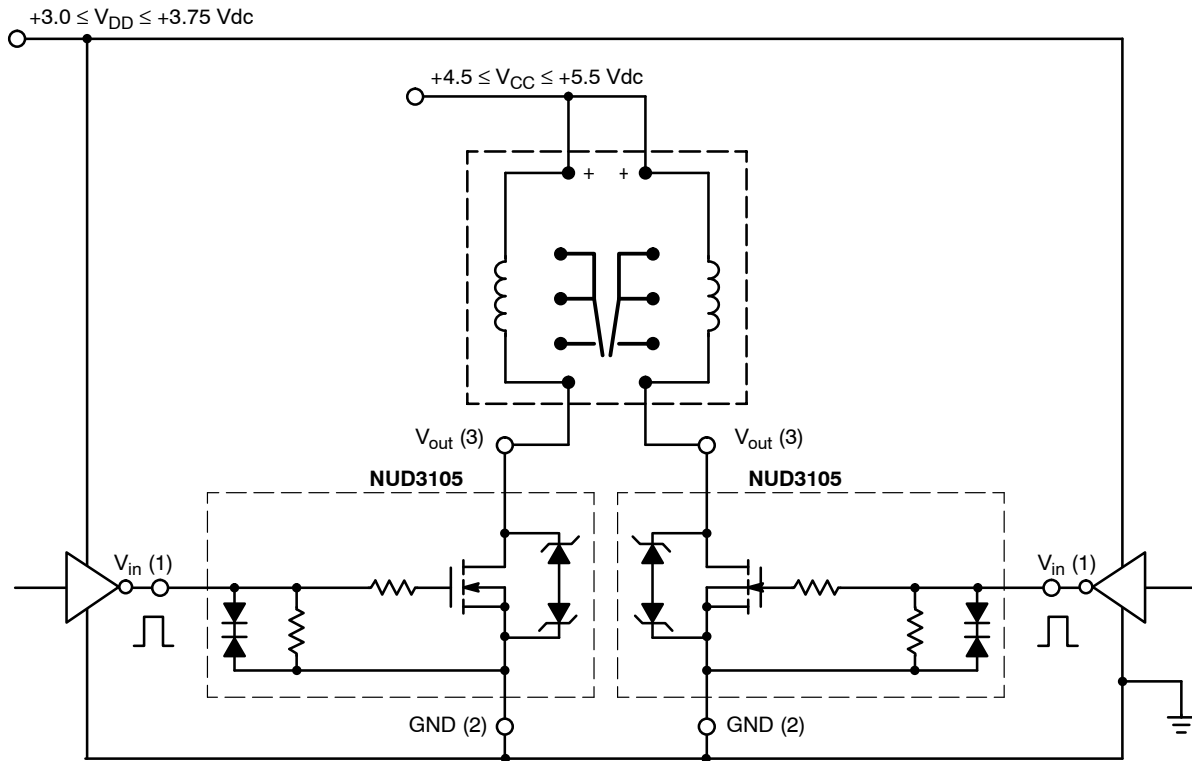


Figure 12. A 200 mW, 5.0 V Dual Coil Latching Relay Application with 3.0 V Level Translating Interface

# NUD3105

## Max Continuous Current Calculation

for TX2-5V Relay,  $R_1 = 178 \Omega$  Nominal @  $R_A = 25^\circ\text{C}$

Assuming  $\pm 10\%$  Make Tolerance,

$R_1 = 178 \Omega * 0.9 = 160 \Omega$  Min @  $T_A = 25^\circ\text{C}$

$T_C$  for Annealed Copper Wire is  $0.4\%/^\circ\text{C}$

$R_1 = 160 \Omega * [1 + (0.004) * (-40^\circ - 25^\circ)] = 118 \Omega$  Min @  $-40^\circ\text{C}$

$I_O \text{ Max} = (5.5 \text{ V Max} - 0.25\text{V}) / 118 \Omega = 45 \text{ mA}$

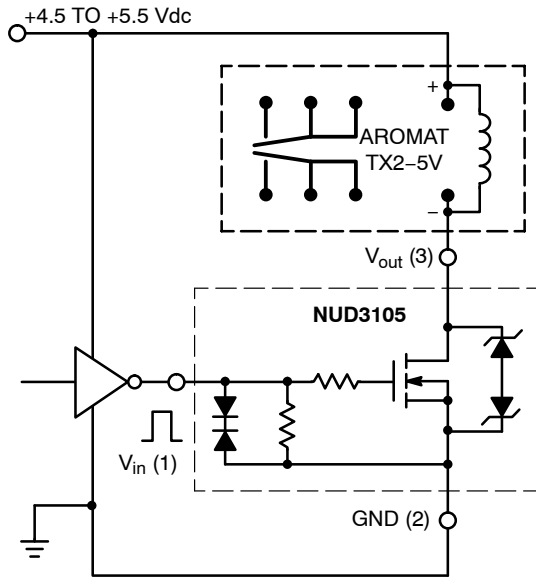


Figure 13. A 140 mW, 5.0 V Relay with TTL Interface

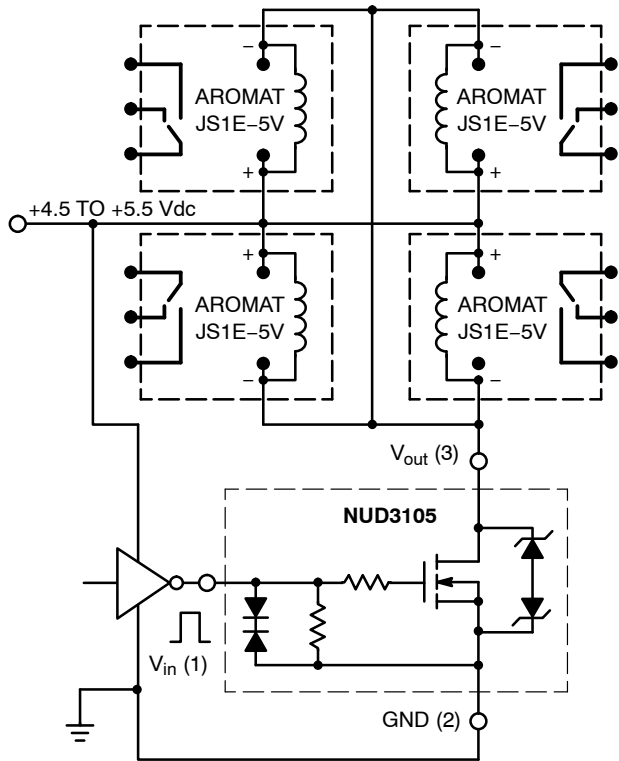


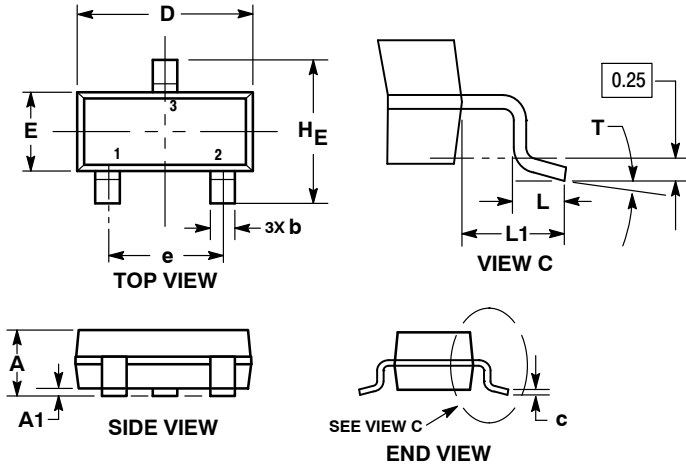
Figure 14. A Quad 5.0 V, 360 mW Coil Relay Bank



# NUD3105

## PACKAGE DIMENSIONS

SOT-23 (TO-236)  
CASE 318-08  
ISSUE AR

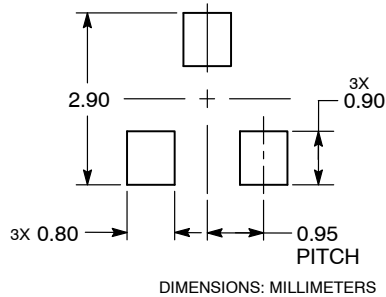


**NOTES:**

1. DIMENSIONING AND TOLERANCING PER ASME Y14.5M, 1994.
2. CONTROLLING DIMENSION: MILLIMETERS.
3. MAXIMUM LEAD THICKNESS INCLUDES LEAD FINISH. MINIMUM LEAD THICKNESS IS THE MINIMUM THICKNESS OF THE BASE MATERIAL.
4. DIMENSIONS D AND E DO NOT INCLUDE MOLD FLASH, PROTRUSIONS, OR GATE BURRS.

DIM	MILLIMETERS			INCHES		
	MIN	NOM	MAX	MIN	NOM	MAX
A	0.89	1.00	1.11	0.035	0.039	0.044
A1	0.01	0.06	0.10	0.000	0.002	0.004
b	0.37	0.44	0.50	0.015	0.017	0.020
c	0.08	0.14	0.20	0.003	0.006	0.008
D	2.80	2.90	3.04	0.110	0.114	0.120
E	1.20	1.30	1.40	0.047	0.051	0.055
e	1.78	1.90	2.04	0.070	0.075	0.080
L	0.30	0.43	0.55	0.012	0.017	0.022
L1	0.35	0.54	0.69	0.014	0.021	0.027
HE	2.10	2.40	2.64	0.083	0.094	0.104
T	0°	---	10°	0°	---	10°

### RECOMMENDED SOLDERING FOOTPRINT\*

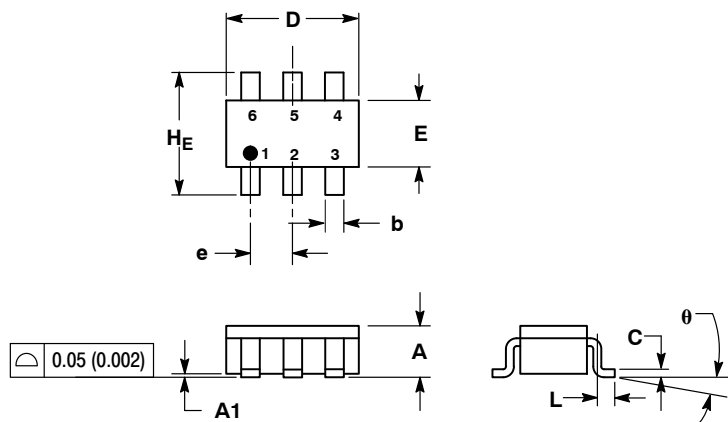


\*For additional information on our Pb-Free strategy and soldering details, please download the ON Semiconductor Soldering and Mounting Techniques Reference Manual, SOLDERRM/D.

# NUD3105

## PACKAGE DIMENSIONS

SC-74  
CASE 318F-05  
ISSUE N

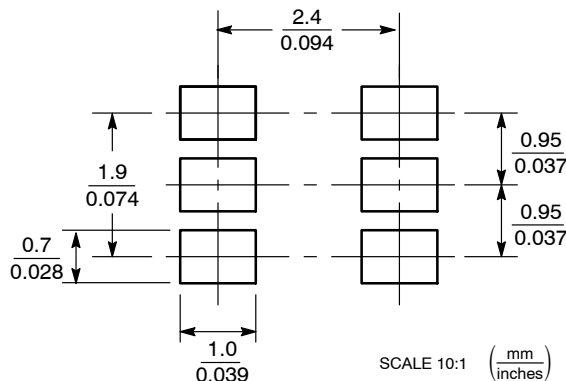


- NOTES:
1. DIMENSIONING AND TOLERANCING PER ANSI Y14.5M, 1982.
  2. CONTROLLING DIMENSION: INCH.
  3. MAXIMUM LEAD THICKNESS INCLUDES LEAD FINISH THICKNESS. MINIMUM LEAD THICKNESS IS THE MINIMUM THICKNESS OF BASE MATERIAL.
  4. 318F-01, -02, -03, -04 OBSOLETE. NEW STANDARD 318F-05.

DIM	MILLIMETERS			INCHES		
	MIN	NOM	MAX	MIN	NOM	MAX
A	0.90	1.00	1.10	0.035	0.039	0.043
A1	0.01	0.06	0.10	0.001	0.002	0.004
b	0.25	0.37	0.50	0.010	0.015	0.020
c	0.10	0.18	0.26	0.004	0.007	0.010
D	2.90	3.00	3.10	0.114	0.118	0.122
E	1.30	1.50	1.70	0.051	0.059	0.067
e	0.85	0.95	1.05	0.034	0.037	0.041
L	0.20	0.40	0.60	0.008	0.016	0.024
HE	2.50	2.75	3.00	0.099	0.108	0.118
θ	0°	-	10°	0°	-	10°

- STYLE 7:  
PIN 1. SOURCE 1  
2. GATE 1  
3. DRAIN 2  
4. SOURCE 2  
5. GATE 2  
6. DRAIN 1

### SOLDERING FOOTPRINT\*



\*For additional information on our Pb-Free strategy and soldering details, please download the ON Semiconductor Soldering and Mounting Techniques Reference Manual, SOLDERRM/D.

ON Semiconductor and are trademarks of Semiconductor Components Industries, LLC dba ON Semiconductor or its subsidiaries in the United States and/or other countries. ON Semiconductor owns the rights to a number of patents, trademarks, copyrights, trade secrets, and other intellectual property. A listing of ON Semiconductor's product/patent coverage may be accessed at [www.onsemi.com/site/pdf/Patent-Marking.pdf](http://www.onsemi.com/site/pdf/Patent-Marking.pdf). ON Semiconductor reserves the right to make changes without further notice to any products herein. ON Semiconductor makes no warranty, representation or guarantee regarding the suitability of its products for any particular purpose, nor does ON Semiconductor assume any liability arising out of the application or use of any product or circuit, and specifically disclaims any and all liability, including without limitation special, consequential or incidental damages. Buyer is responsible for its products and applications using ON Semiconductor products, including compliance with all laws, regulations and safety requirements or standards, regardless of any support or applications information provided by ON Semiconductor. "Typical" parameters which may be provided in ON Semiconductor data sheets and/or specifications can and do vary in different applications and actual performance may vary over time. All operating parameters, including "Typicals" must be validated for each customer application by customer's technical experts. ON Semiconductor does not convey any license under its patent rights nor the rights of others. ON Semiconductor products are not designed, intended, or authorized for use as a critical component in life support systems or any FDA Class 3 medical devices or medical devices with a same or similar classification in a foreign jurisdiction or any devices intended for implantation in the human body. Should Buyer purchase or use ON Semiconductor products for any such unintended or unauthorized application, Buyer shall indemnify and hold ON Semiconductor and its officers, employees, subsidiaries, affiliates, and distributors harmless against all claims, costs, damages, and expenses, and reasonable attorney fees arising out of, directly or indirectly, any claim of personal injury or death associated with such unintended or unauthorized use, even if such claim alleges that ON Semiconductor was negligent regarding the design or manufacture of the part. ON Semiconductor is an Equal Opportunity/Affirmative Action Employer. This literature is subject to all applicable copyright laws and is not for resale in any manner.

### PUBLICATION ORDERING INFORMATION

**LITERATURE FULFILLMENT:**  
Literature Distribution Center for ON Semiconductor  
19521 E. 32nd Pkwy, Aurora, Colorado 80011 USA  
**Phone:** 303-675-2175 or 800-344-3860 Toll Free USA/Canada  
**Fax:** 303-675-2176 or 800-344-3867 Toll Free USA/Canada  
**Email:** [orderlit@onsemi.com](mailto:orderlit@onsemi.com)

**N. American Technical Support:** 800-282-9855 Toll Free  
USA/Canada  
**Europe, Middle East and Africa Technical Support:**  
Phone: 421 33 790 2910  
**Japan Customer Focus Center**  
Phone: 81-3-5817-1050

**ON Semiconductor Website:** [www.onsemi.com](http://www.onsemi.com)  
**Order Literature:** <http://www.onsemi.com/orderlit>

For additional information, please contact your local Sales Representative