

Features

- Built using the advantages and compatibility of CMOS and IXYS HDMOS™ processes
- Latch-Up Protected
- High Peak Output Current: 4A Peak
- Wide Operating Range: 4.5V to 35V
- Ability to Disable Output under Faults
- High Capacitive Load
Drive Capability: 1800pF in <15ns
- Matched Rise And Fall Times
- Low Propagation Delay Time
- Low Output Impedance
- Low Supply Current
- Two identical drivers in single chip

Applications

- Driving MOSFETs and IGBTs
- Limiting di/dt under Short Circuit
- Motor Controls
- Line Drivers
- Pulse Generators
- Local Power ON/OFF Switch
- Switch Mode Power Supplies (SMPS)
- DC to DC Converters
- Pulse Transformer Driver
- Class D Switching Amplifiers

General Description

The IXDD404 is comprised of two 4 Amp CMOS high speed MOSFET drivers. Each output can source and sink 4 A of peak current while producing voltage rise and fall times of less than 15ns to drive the latest IXYS MOSFETs & IGBT's. The input of the driver is compatible with TTL or CMOS and is fully immune to latch up over the entire operating range. Designed with small internal delays, cross conduction/current shoot-through is virtually eliminated in the IXDD404. Improved speed and drive capabilities are further enhanced by very low, matched rise and fall times.

Additionally, each driver in the IXDD404 incorporates a unique ability to disable the output under fault conditions. When a logical low is forced into the Enable input of a driver, both of its final output stage MOSFETs (NMOS and PMOS) are turned off. As a result, the respective output of the IXDD404 enters a tristate mode and achieves a Soft Turn-Off of the MOSFET/IGBT when a short circuit is detected. This helps prevent damage that could occur to the MOSFET/IGBT if it were to be switched off abruptly due to a dv/dt over-voltage transient.

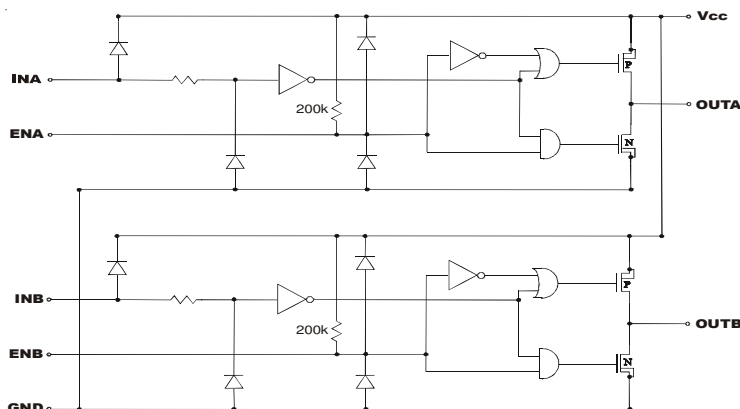
The IXDD404 is available in the standard 8 pin P-DIP (PI), SOIC-8 (SIA) and SOIC-16 (SIA-16) packages. For enhanced thermal performance, the SOP-8 and SOP-16 are also available with an exposed grounded metal back package as the SI and SI-16 respectively.

Ordering Information

| Part Number | Package Type | Temp. Range | Configuration |
|---------------|--------------------------------------|-----------------|--------------------------------|
| IXDD404PI | 8-Pin PDIP | -55°C to +125°C | Dual Non Inverting With Enable |
| IXDD404SI | 8-Pin SOIC with Grounded Metal Back | | |
| IXDD404SIA | 8-Pin SOIC | | |
| IXDD404SI-16 | 16-Pin SOIC with Grounded Metal Back | | |
| IXDD404SIA-16 | 16-Pin SOIC | | |

NOTE: Mounting or solder tabs on all packages are connected to ground

Figure 1 - Functional Diagram



Absolute Maximum Ratings (Note 1)

| Parameter | Value |
|---------------------------|----------------------------|
| Supply Voltage | 40 V |
| All Other Pins | -0.3 V to $V_{CC} + 0.3$ V |
| Junction Temperature | 150 °C |
| Storage Temperature | -65 °C to 150 °C |
| Lead Temperature (10 sec) | 300 °C |

Operating Ratings

| Parameter | Value |
|--|------------------|
| Operating Temperature Range | -55 °C to 125 °C |
| Thermal Impedance (Junction to Ambient) | |
| 8 Pin PDIP (PI) (θ_{JA}) | 120 °C/W |
| 8 Pin SOIC (SIA) (θ_{JA}) | 110 °C/W |
| 8 Pin SOIC (SI) (θ_{JA}) with heat sink** Heat sink area of 1cm ² | 71 °C/W |
| 16 Pin SOIC (SIA-16) (θ_{JA}) | 110 °C/W |

**Heat sink area is 1 oz. copper on one side of .06" thick FR4 soldered to metal back plane.

Electrical Characteristics

Unless otherwise noted, $T_A = 25$ °C, $4.5V \leq V_{CC} \leq 35V$.

All voltage measurements with respect to GND. IXDD404 configured as described in *Test Conditions*. All specifications are for one channel.

| Symbol | Parameter | Test Conditions | Min | Typ | Max | Units |
|--------------|---|---|------------------|--------|----------------|-----------------|
| V_{IH} | High input voltage | $4.5V \leq V_{IN} \leq 18V$ | 2.5 | | | V |
| V_{IL} | Low input voltage | $4.5V \leq V_{IN} \leq 18V$ | | | 0.8 | V |
| V_{IN} | Input voltage range | | -5 | | $V_{CC} + 0.3$ | V |
| I_{IN} | Input current | $0V \leq V_{IN} \leq V_{CC}$ | -10 | | 10 | μA |
| V_{OH} | High output voltage | | $V_{CC} - 0.025$ | | | V |
| V_{OL} | Low output voltage | | | | 0.025 | V |
| R_{OH} | Output resistance @ Output high | $V_{CC} = 18V$ | | 2 | 2.5 | Ω |
| R_{OL} | Output resistance @ Output Low | $V_{CC} = 18V$ | | 1.5 | 2 | Ω |
| I_{PEAK} | Peak output current | $V_{CC} = 18V$ | | 4 | | A |
| I_{DC} | Continuous output current | | | | 1 | A |
| V_{EN} | Enable voltage range | | -0.3 | | $V_{CC} + 0.3$ | V |
| V_{ENH} | High En Input Voltage | | $2/3 V_{CC}$ | | | V |
| V_{ENL} | Low En Input Voltage | | | | $1/3 V_{CC}$ | V |
| t_R | Rise time | $C_L = 1800pF$ $V_{CC} = 18V$ | | 16 | 18 | ns |
| t_F | Fall time | $C_L = 1800pF$ $V_{CC} = 18V$ | | 13 | 17 | ns |
| t_{ONDLY} | On-time propagation delay | $C_L = 1800pF$ $V_{CC} = 18V$ | | 36 | 40 | ns |
| t_{OFFDLY} | Off-time propagation delay | $C_L = 1800pF$ $V_{CC} = 18V$ | | 35 | 39 | ns |
| t_{ENOH} | Enable to output high delay time | | | | 30 | ns |
| t_{DOLD} | Disable to output low Disable delay time | | | | 30 | ns |
| V_{CC} | Power supply voltage | | 4.5 | 18 | 35 | V |
| I_{CC} | Power supply current | $V_{IN} = 3.5V$ $V_{IN} = 0V$ $V_{IN} = + V_{CC}$ | | 1 0 | 3 10 | mA μA |
| R_{EN} | Enable Pull-up Resistor | | | 200 | | $k\Omega$ |

Specifications to change without notice

Note 1: Operating the device beyond parameters with listed "absolute maximum ratings" may cause permanent damage to the device. Typical values indicate conditions for which the device is intended to be functional, but do not guarantee specific performance limits. The guaranteed specifications apply only for the test conditions listed. Exposure to absolute maximum rated conditions for extended periods may affect device reliability.

Electrical Characteristics

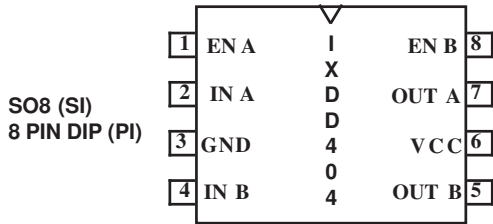
Unless otherwise noted, temperature over $-55\text{ }^{\circ}\text{C}$ to $150\text{ }^{\circ}\text{C}$, $4.5\text{V} \leq V_{\text{CC}} \leq 35\text{V}$.

All voltage measurements with respect to GND. IXDD404 configured as described in *Test Conditions*. All specifications are for one channel.

| Symbol | Parameter | Test Conditions | Min | Typ | Max | Units |
|---------------------|------------------------------------|---|-------------------------|--------|-----------------------|--------------------------------------|
| V_{IH} | High input voltage | | 2 | | | V |
| V_{IL} | Low input voltage | | | | 2.4 | V |
| V_{IN} | Input voltage range | | -5 | | $V_{\text{CC}} + 0.3$ | V |
| I_{IN} | Input current | $0\text{V} \leq V_{\text{IN}} \leq V_{\text{CC}}$ | -10 | | 10 | μA |
| V_{OH} | High output voltage | | $V_{\text{CC}} - 0.025$ | | | V |
| V_{OL} | Low output voltage | | | | 0.025 | V |
| R_{OH} | Output resistance @ Output high | $V_{\text{CC}} = 18\text{V}$ | | | 3.4 | Ω |
| R_{OL} | Output resistance @ Output Low | $V_{\text{CC}} = 18\text{V}$ | | | 2 | Ω |
| I_{PEAK} | Peak output current | $V_{\text{CC}} = 18\text{V}$ | 3.2 | | | A |
| I_{DC} | Continuous output current | | | | 1 | A |
| t_{R} | Rise time | $C_{\text{L}}=1000\text{pF}$ $V_{\text{CC}}=18\text{V}$ | | | 11 | ns |
| t_{F} | Fall time | $C_{\text{L}}=1000\text{pF}$ $V_{\text{CC}}=18\text{V}$ | | | 13 | ns |
| t_{ONDLY} | On-time propagation delay | $C_{\text{L}}=1000\text{pF}$ $V_{\text{CC}}=18\text{V}$ | | | 60 | ns |
| t_{OFFDLY} | Off-time propagation delay | $C_{\text{L}}=1000\text{pF}$ $V_{\text{CC}}=18\text{V}$ | | | 59 | ns |
| V_{CC} | Power supply voltage | | 4.5 | 18 | 35 | V |
| I_{CC} | Power supply current | $V_{\text{IN}} = 3.5\text{V}$ $V_{\text{IN}} = 0\text{V}$ $V_{\text{IN}} = + V_{\text{CC}}$ | | 1 0 | 3 10 10 | mA μA μA |

Specifications to change without notice

Pin Configurations



SO16 (SI-16)

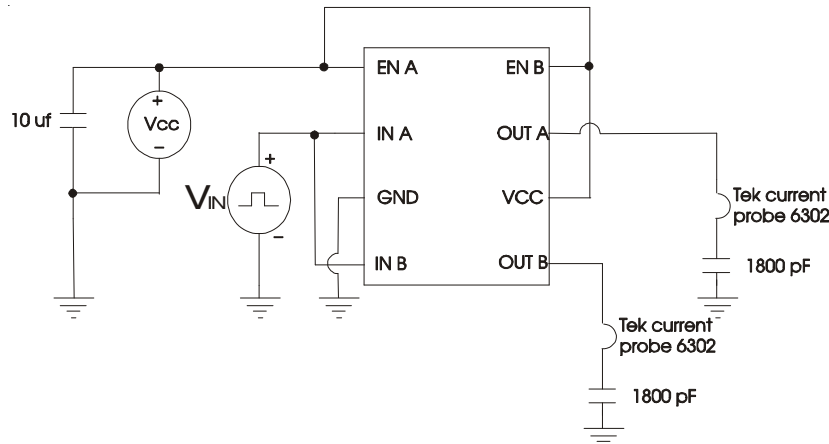
| | | | |
|---|------|-------|----|
| 1 | EN A | NC | 16 |
| 2 | IN A | OUT A | 15 |
| 3 | NC | OUT A | 14 |
| 4 | GND | VCC | 13 |
| 5 | GND | VCC | 12 |
| 6 | NC | OUT B | 11 |
| 7 | IN B | OUT B | 10 |
| 8 | EN B | NC | 9 |

Pin Description

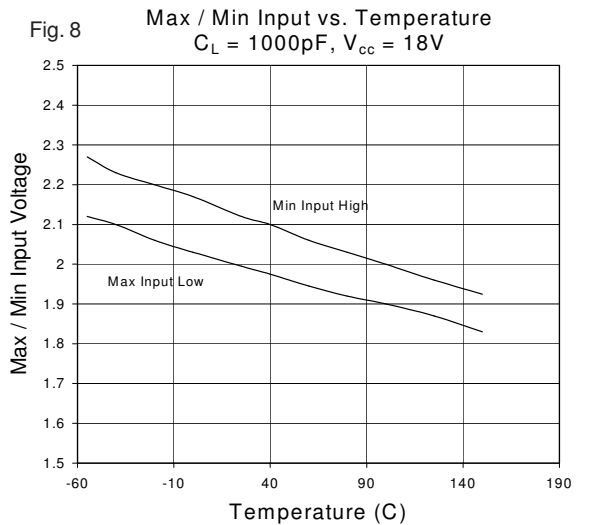
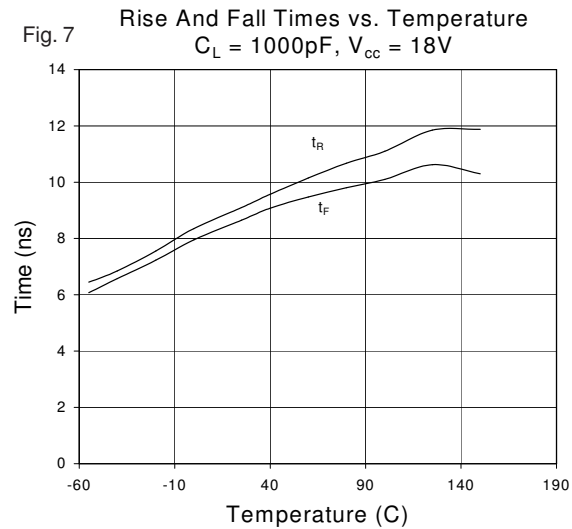
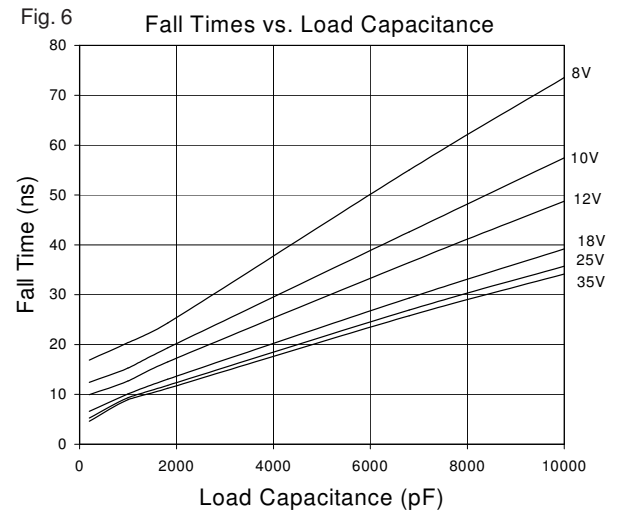
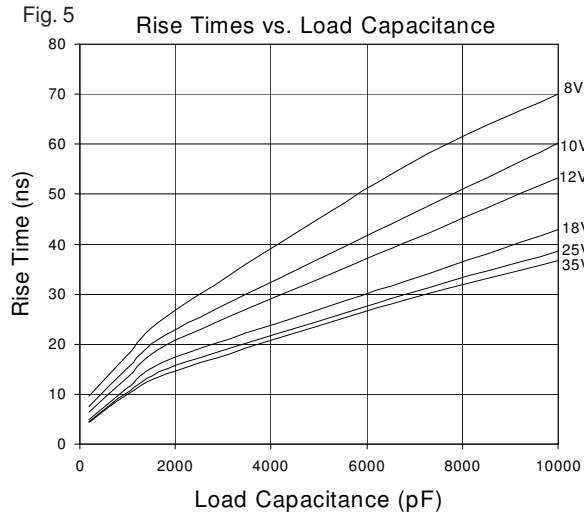
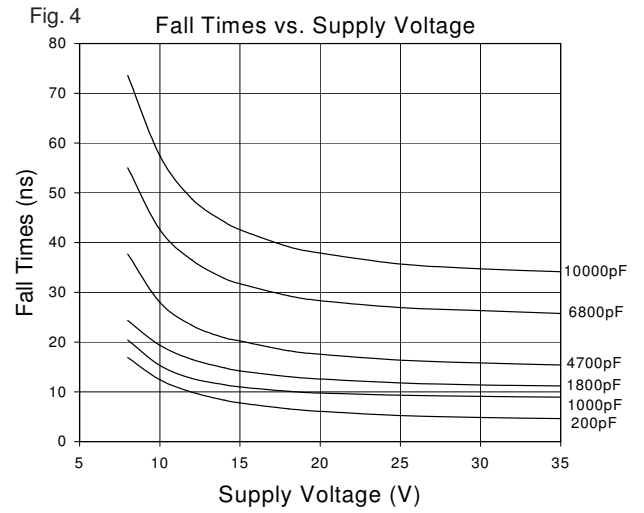
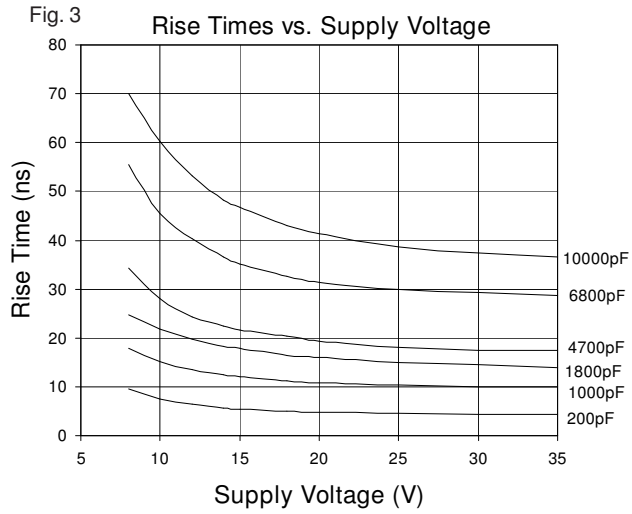
| SYMBOL | FUNCTION | DESCRIPTION |
|--------|------------------|--|
| EN A | A Channel Enable | The Channel A enable pin. This pin, when driven low, disables the A Channel, forcing a high impedance state to the A Channel Output. |
| IN A | A Channel Input | A Channel Input signal-TTL or CMOS compatible. |
| GND | Ground | The system ground pin. Internally connected to all circuitry, this pin provides ground reference for the entire chip. This pin should be connected to a low noise analog ground plane for optimum performance. |
| IN B | B Channel Input | B Channel Input signal-TTL or CMOS compatible. |
| OUT B | B Channel Output | B Channel Driver output. For application purposes, this pin is connected, through a resistor, to Gate of a MOSFET/IGBT. |
| VCC | Supply Voltage | Positive power-supply voltage input. This pin provides power to the entire chip. The range for this voltage is from 4.5V to 35V. |
| OUT A | A Channel Output | A Channel Driver output. For application purposes, this pin is connected, through a resistor, to Gate of a MOSFET/IGBT. |
| EN B | B Channel Enable | The Channel B enable pin. This pin, when driven low, disables the B Channel, forcing a high impedance state to the B Channel Output. |

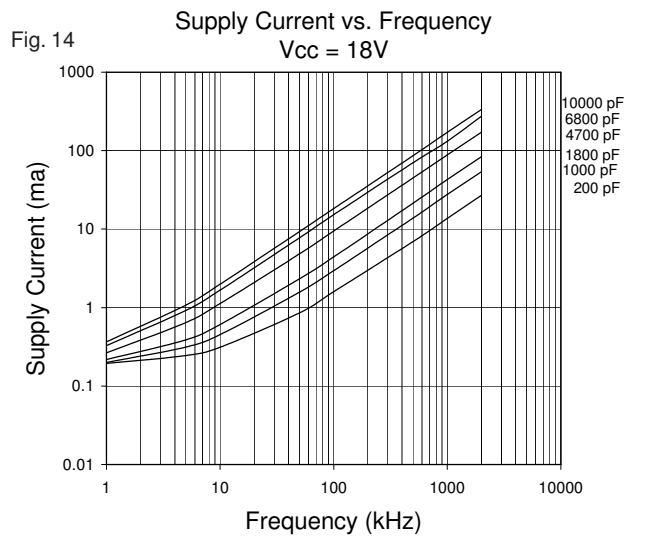
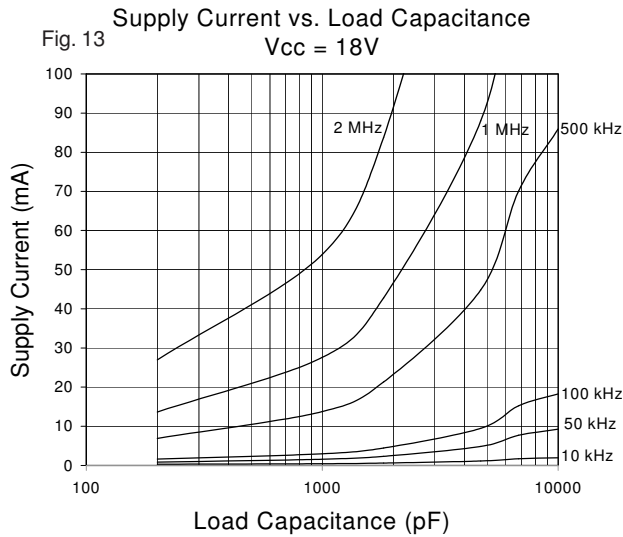
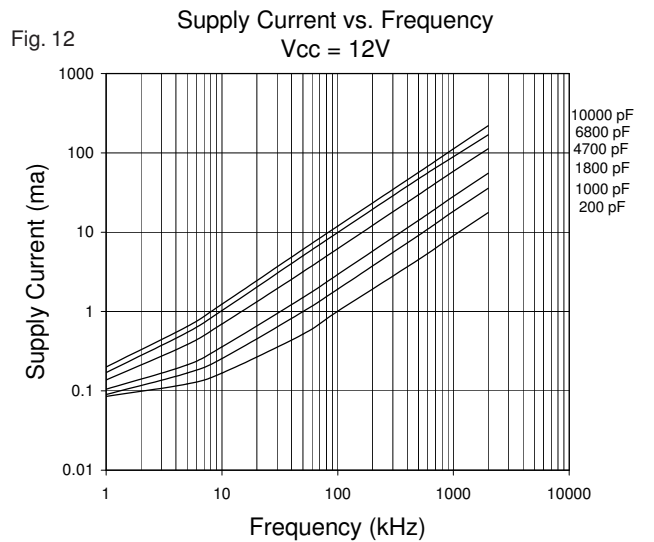
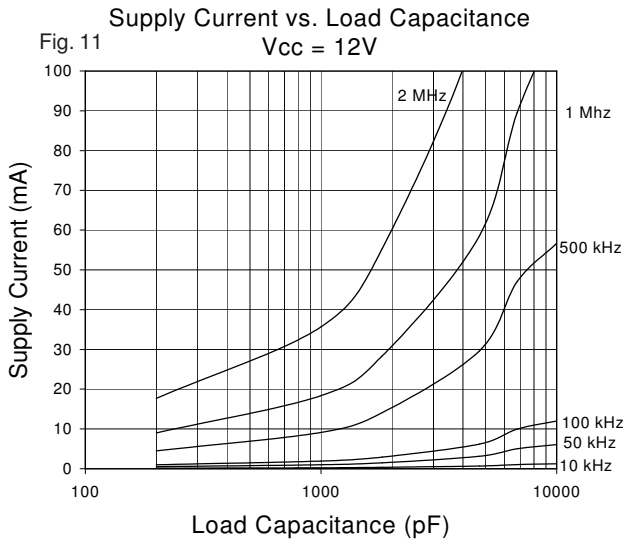
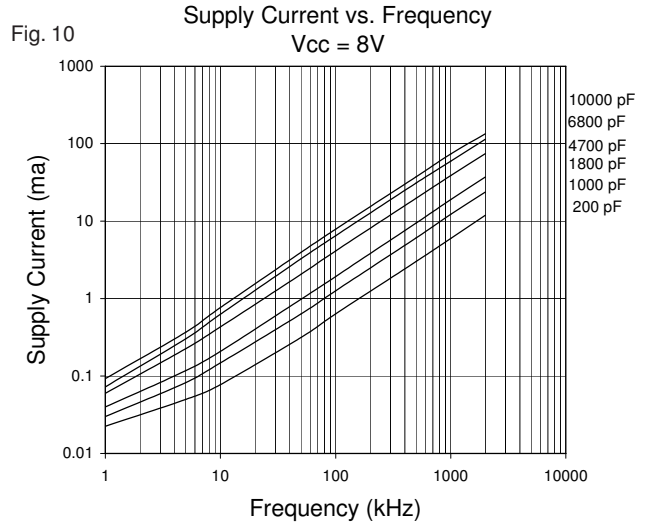
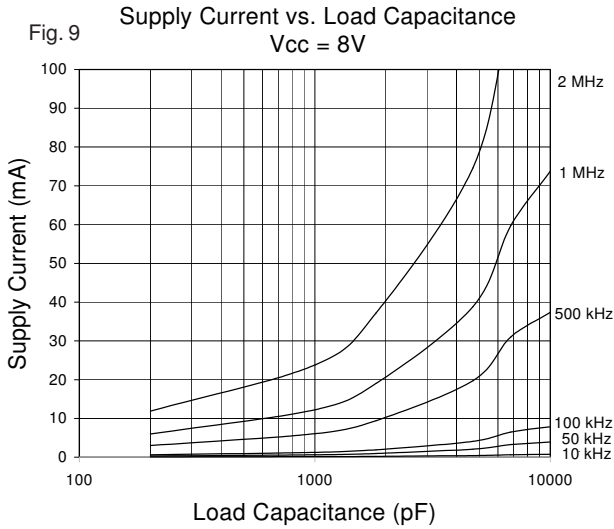
CAUTION: These devices are sensitive to electrostatic discharge; follow proper ESD procedures when handling and assembling this component.

Figure 2 - Characteristics Test Diagram



Typical Performance Characteristics





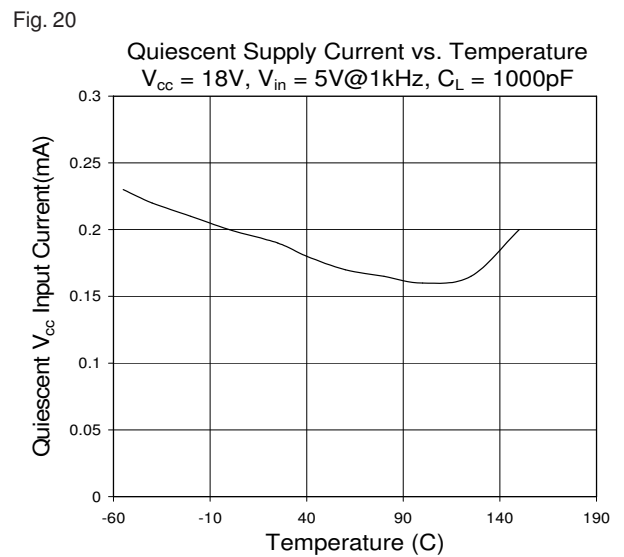
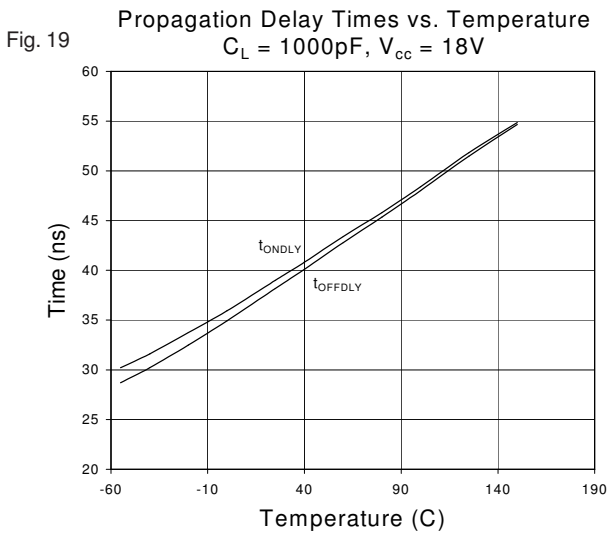
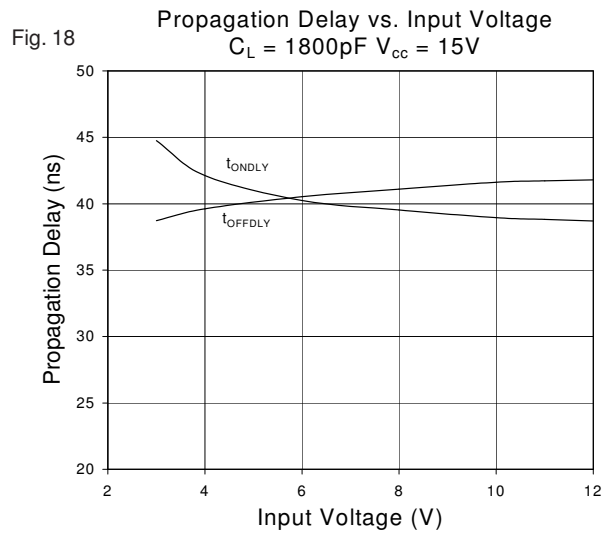
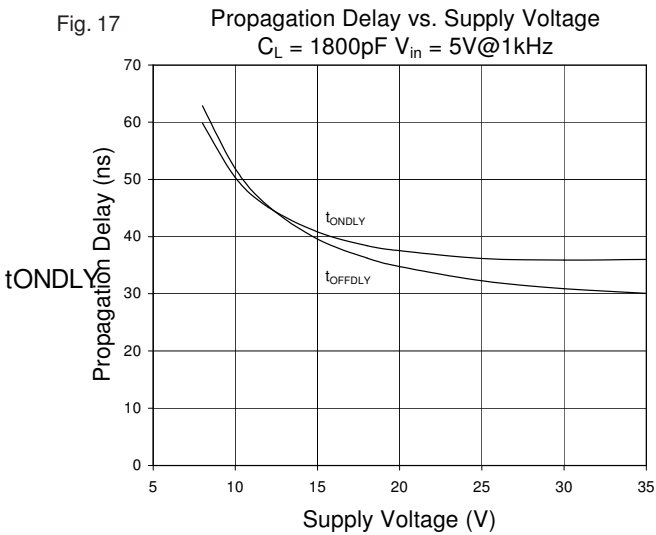
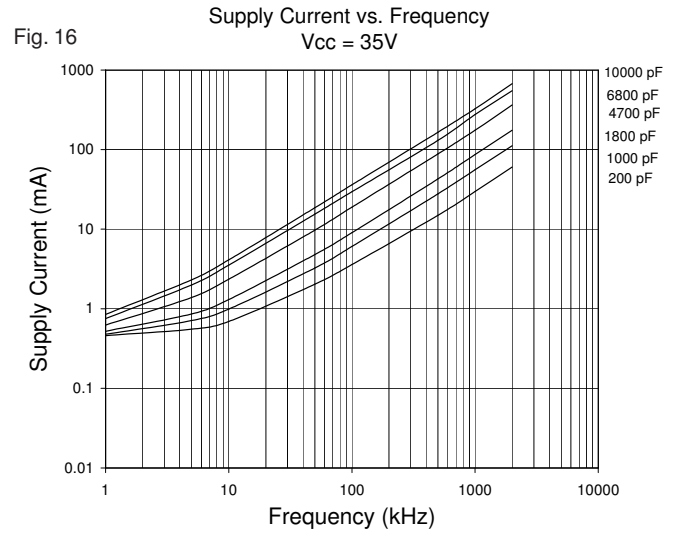
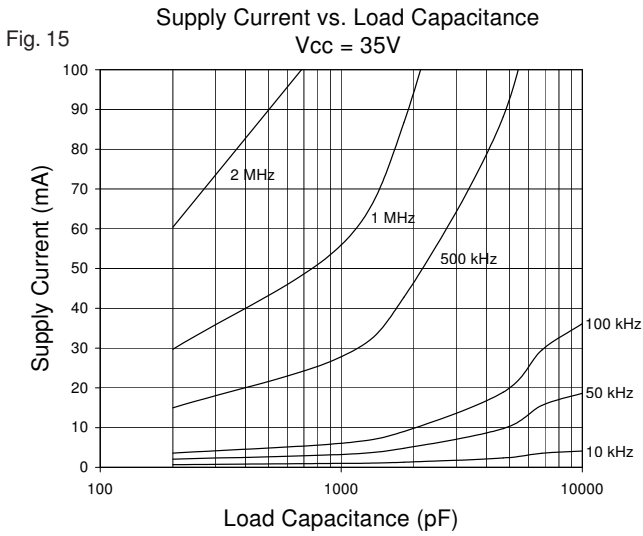


Fig. 21 High State Output Resistance vs. Supply Voltage

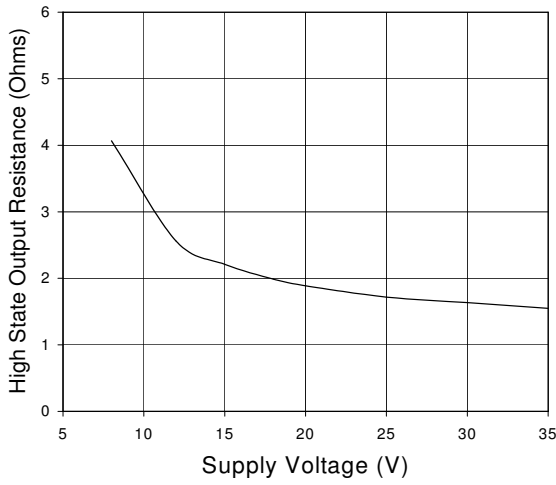


Fig. 22 Low State Output Resistance vs. Supply Voltage

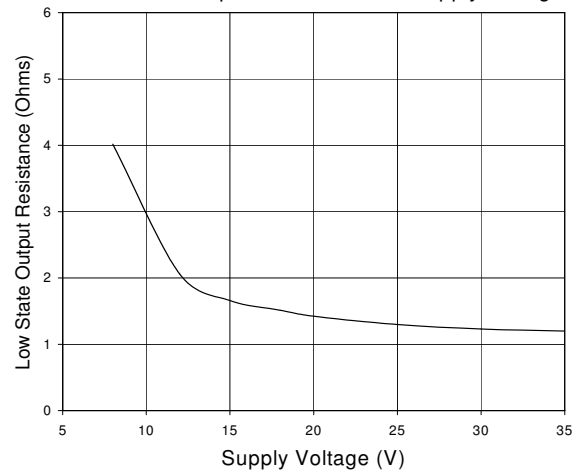


Fig. 23 Vcc vs. P Channel Output Current

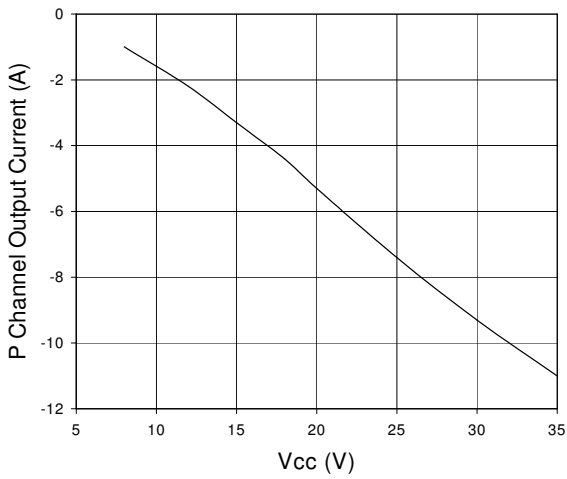


Fig. 24 Vcc vs. N Channel Output Current

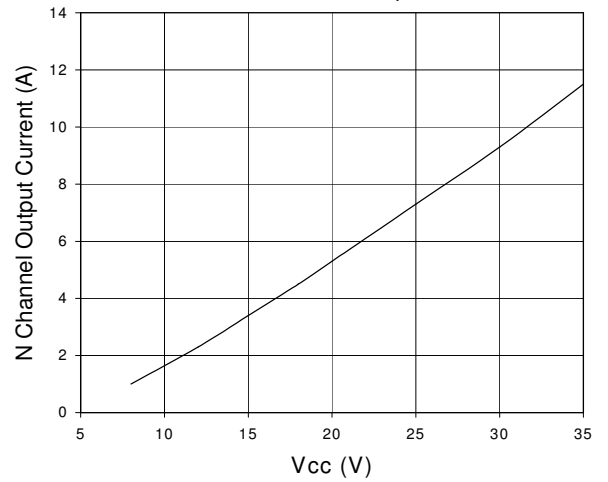


Fig. 25 P Channel Output Current vs. Temperature
V_{cc} = 18V, C_L = 1000pF

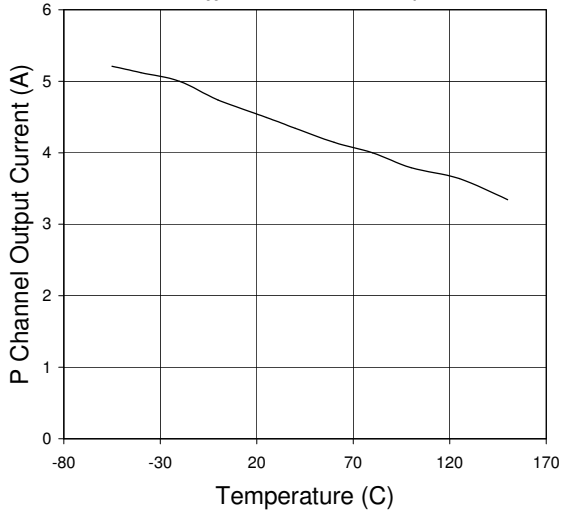
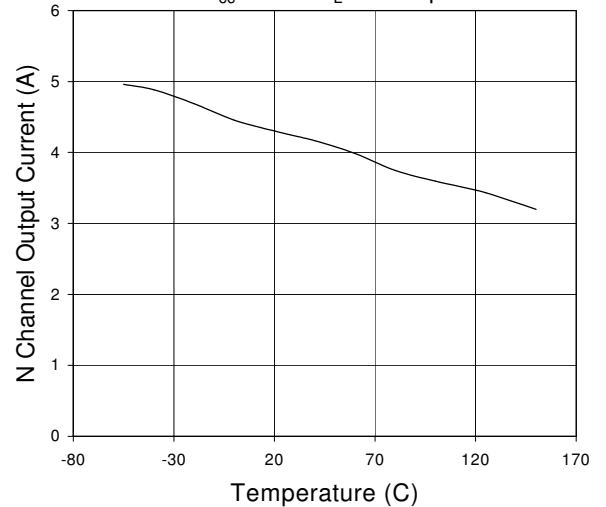


Fig. 26 N Channel Output Current vs. Temperature
V_{cc} = 18V C_L = 1000pF



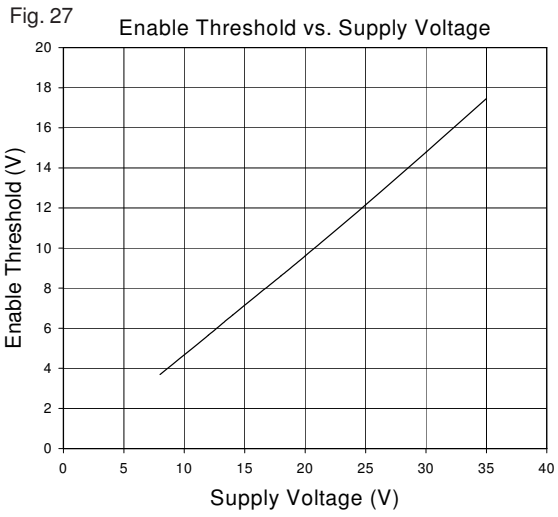
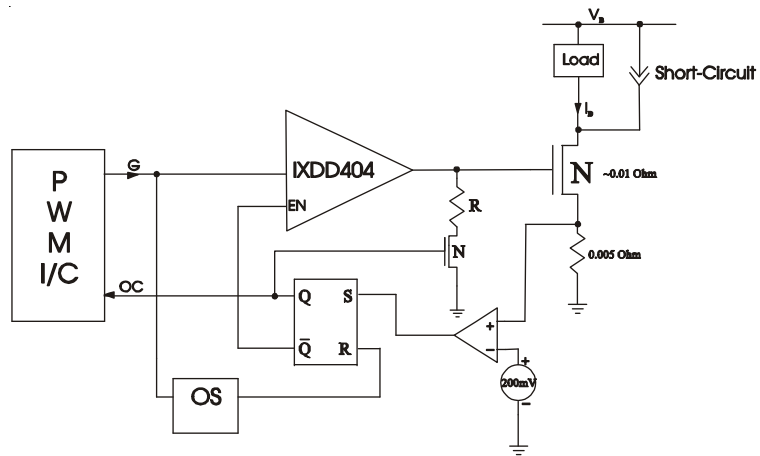


Figure 28 - Typical Application Short Circuit di/dt Limit



Supply Bypassing and Grounding Practices, Output Lead inductance

When designing a circuit to drive a high speed MOSFET utilizing the IXDD404, it is very important to keep certain design criteria in mind, in order to optimize performance of the driver. Particular attention needs to be paid to **Supply Bypassing**, **Grounding**, and minimizing the **Output Lead Inductance**.

Say, for example, we are using the IXDD404 to charge a 2500pF capacitive load from 0 to 25 volts in 25ns.

Using the formula: $I = \Delta V C / \Delta t$, where $\Delta V = 25V$, $C = 2500pF$ & $\Delta t = 25ns$ we can determine that to charge 2500pF to 25 volts in 25ns will take a constant current of 2.5A. (In reality, the charging current won't be constant, and will peak somewhere around 4A).

SUPPLY BYPASSING

In order for our design to turn the load on properly, the IXDD404 must be able to draw this 2.5A of current from the power supply in the 25ns. This means that there must be very low impedance between the driver and the power supply. The most common method of achieving this low impedance is to bypass the power supply at the driver with a capacitance value that is a magnitude larger than the load capacitance. Usually, this would be achieved by placing two different types of bypassing capacitors, with complementary impedance curves, very close to the driver itself. (These capacitors should be carefully selected, low inductance, low resistance, high-pulse current-service capacitors). Lead lengths may radiate at high frequency due to inductance, so care should be taken to keep the lengths of the leads between these bypass capacitors and the IXDD404 to an absolute minimum.

GROUNDING

In order for the design to turn the load off properly, the IXDD404 must be able to drain this 2.5A of current into an adequate grounding system. There are three paths for returning current that need to be considered: Path #1 is between the IXDD404 and it's load. Path #2 is between the IXDD404 and it's power supply. Path #3 is between the IXDD404 and whatever logic is driving it. All three of these paths should be as low in resistance and inductance as possible, and thus as short as practical. In addition, every effort should be made to keep these three ground paths distinctly separate. Otherwise, (for instance), the returning ground current from the load may develop a voltage that would have a detrimental effect on the logic line driving the IXDD404.

OUTPUT LEAD INDUCTANCE

Of equal importance to Supply Bypassing and Grounding are issues related to the Output Lead Inductance. Every effort should be made to keep the leads between the driver and it's load as short and wide as possible. If the driver must be placed farther than 2" from the load, then the output leads should be treated as transmission lines. In this case, a twisted-pair should be considered, and the return line of each twisted pair should be placed as close as possible to the ground pin of the driver, and connect directly to the ground terminal of the load.

TTL to High Voltage CMOS Level Translation

The enable (EN) input to the IXDD404 is a high voltage CMOS logic level input where the EN input threshold is $\frac{1}{2} V_{CC}$, and may not be compatible with 5V CMOS or TTL input levels. The IXDD404 EN input was intentionally designed for enhanced noise immunity with the high voltage CMOS logic levels. In a typical gate driver application, $V_{CC} = 15V$ and the EN input threshold at 7.5V, a 5V CMOS logical high input applied to this typical IXDD404 application's EN input will be misinterpreted as a logical low, and may cause undesirable or unexpected results. The note below is for optional adaptation of TTL or 5V CMOS levels.

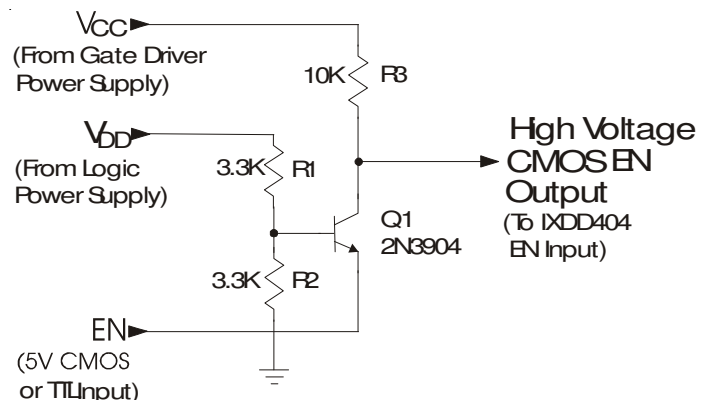
The circuit in Figure 28 alleviates this potential logic level misinterpretation by translating a TTL or 5V CMOS logic input to high voltage CMOS logic levels needed by the IXDD404 EN input. From the figure, V_{CC} is the gate driver power supply, typically set between 8V to 20V, and V_{DD} is the logic power supply, typically between 3.3V to 5.5V. Resistors R1 and R2 form a voltage divider network so that the Q1 base is positioned at the midpoint of the expected TTL logic transition levels.

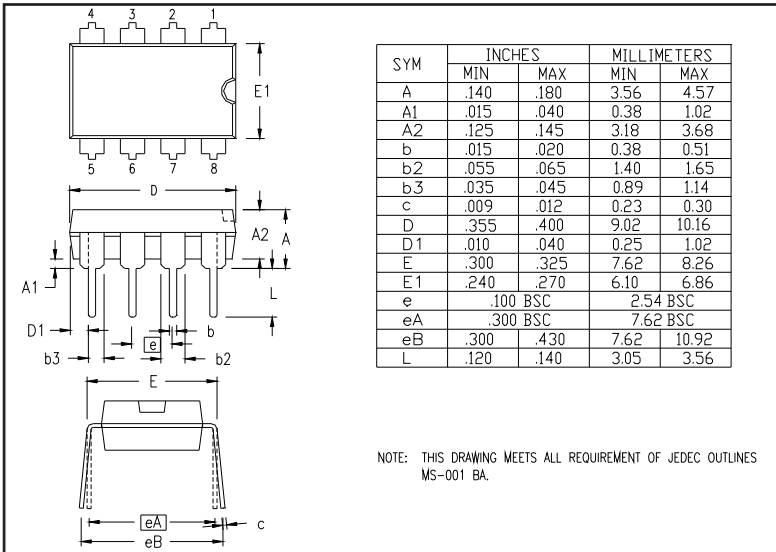
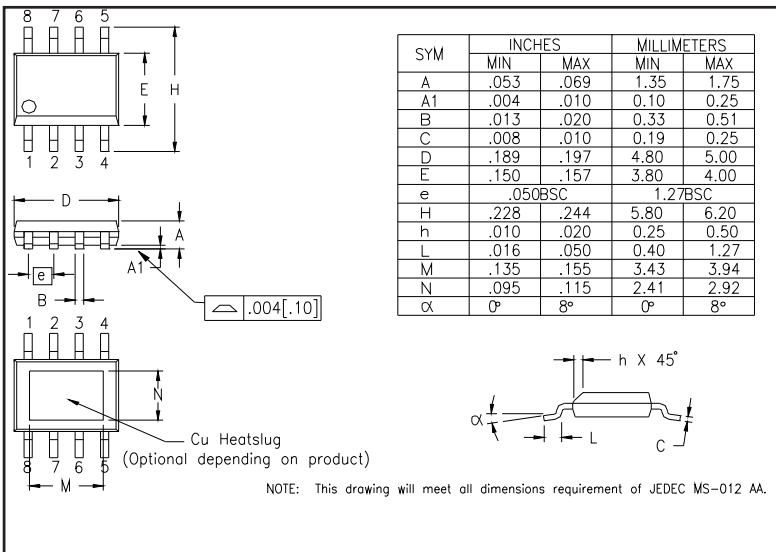
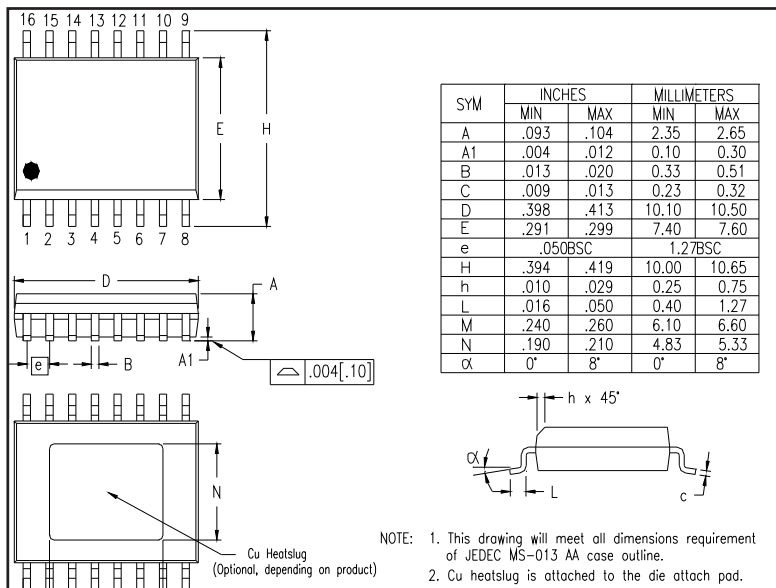
A TTL or 5V CMOS logic low, $V_{TTLLOW} = \sim 0.8V$, input applied to the Q1 emitter will drive it on. This causes the level translator output, the Q1 collector output to settle to $V_{CESATQ1} + V_{TTLLOW} = \sim 2V$, which is sufficiently low to be correctly interpreted as a high voltage CMOS logic low ($< 1/3 V_{CC} = 5V$ for $V_{CC} = 15V$ given in the IXDD404 data sheet.)

A TTL high, $V_{TTLHIGH} = \sim 2.4V$, or a 5V CMOS high, $V_{5VCMOSHIGH} = \sim 3.5V$, applied to the EN input of the circuit in Figure 28 will cause Q1 to be biased off. This results in Q1 collector being pulled up by R3 to $V_{CC} = 15V$, and provides a high voltage CMOS logic high output. The high voltage CMOS logical EN output applied to the IXDD404 EN input will enable it, allowing the gate driver to fully function as a ± 4 Amp output driver.

The total component cost of the circuit in Figure 28 is less than \$0.10 if purchased in quantities >1K pieces. It is recommended that the physical placement of the level translator circuit be placed close to the source of the TTL or CMOS logic circuits to maximize noise rejection.

Figure 30 - TTL to High Voltage CMOS Level Translator



Dimensional Outline: IXDD404PI

Dimensional Outlines: IXDD404SI-CT and IXDD404SIA

Dimensional Outlines: IXDD404SI-16CT and IXDD404SIA-16


IXYS Corporation
3540 Bassett St; Santa Clara, CA 95054
Tel: 408-982-0700; Fax: 408-496-0670
e-mail: sales@ixys.net

IXYS Semiconductor GmbH
Edisonstrasse 15 ; D-68623; Lampertheim
Tel: +49-6206-503-0; Fax: +49-6206-503627
e-mail: marcom@ixys.de